



Cassette awning

## markilux 990

The most compact markilux with folding arms – svelte, attractive and functional.

# Product Characteristics

Wind resistance class 2  
Beaufort 5 → 7.5–10.4 m/s → 28–37 km/h → 17–23 mph

01  
02  
03  
04  
05  
06  
07  
08  
09



## 10

11  
12  
13  
14  
15  
16  
17

1) face fixture



1) face fixture, maximum pitch of 35°



1) top fixture



1) top fixture, view from the rear



2) twin steel-link chain, corrosion protected



2) bionic tendon made of high-tech fibres for optimum power transference 1)



● during extension



3) wall sealing profile 1), end cap insert in polished chrome



1) Optional accessories

## Product Characteristics

### Description

- the perfectly designed compact cassette awning. The outstanding “lightweight” for balcony and patio

### Special features

- self-supporting cassette profile construction, the brackets being installed at each end of the awning – also suitable for bridging larger distances
- cassette with arms situated in front and at each end, which – when the awning is closed – are encompassed fully by the front profile lending a harmonious overall appearance to the awning
- even when the awning is fully extended, the roller tube is completely protected

### Dimensions

- cassette in the standard version: depth 217 mm, height 124 mm
- single unit: minimum width 179 cm at the smallest projection of 150 cm, maximum width 500 cm at the largest projection of 300 cm

### Roller tube and lateral bearings

- round roller tube Ø 85 mm with keyway, galvanised steel – excellent stability, ensures near perfect cover performance even at the largest widths
- the arm bearer is made of die-cast aluminium, powder coated, with integrated, infinitely variable pitch setting mechanism

### Blind profiles

- extruded aluminium, in façade quality, powder coated
- cassette in two parts
- semi-circular front profile with integrated gutter

### Folding arms

- profiles in extruded aluminium, in façade quality, powder coated
- moving parts made of drop-forged aluminium - the arms are therefore extremely fracture resistant
- pivot bolts in stainless steel run in Teflon-coated bronze bushes - practically maintenance free, virtually silent and extremely hard wearing
- power transference via corrosion-protected twin steel-link chains at the elbow joint, optionally with innovative bionic tendon made of high tensile, high-tech fibre – low in friction, noiseless, insensitive to corrosion and UV resistant

### End caps

- the cassette insert sections are made of high-quality plastic, powder coated or in a polished chrome finish
- the front profile end caps are made of high-quality plastic, powder coated, with water drainage holes

### Fixture brackets

- face fixture, top fixture, eaves fixture
- extruded aluminium, powder coated
- also available in individual widths (on request)
- pitch range 5°–35° (face fixture)
- 5°–70° (top or eaves fixture)
- spacer plates, stand-off brackets and other accessories are available

01 **Frame and end cap colours**

markilux frame colours without surcharge

02

traffic white, RAL 9016

metallic aluminium, RAL 9006

grey brown, similar to RAL 8019

03



04

05

06

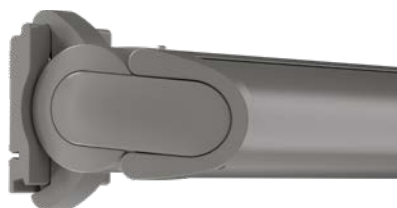
07

off-white textured finish, 5233 <sup>1)</sup>stone grey metallic, 5215 <sup>1)</sup>anthracite metallic, 5204 <sup>1)</sup>

08

09

10



11

12

havana brown textured finish, 5229 <sup>1)</sup>

13



14

15

16

17

off-white textured finish, 5233 <sup>1)</sup>  
end cap insert in polished chromestone grey metallic, 5215 <sup>1)</sup>  
end cap insert in polished chromeanthracite metallic, 5204 <sup>1)</sup>  
end cap insert in polished chrome

Combination options – possible in any frame colour.

**Non-standard powder-coated finish**

Bespoke frame colours incur a surcharge – matt, metallic, finely textured and pearl finishes as well as other colour ranges (DB, Tiger etc.) on request. All frame colours are available at a surcharge with enhanced corrosion protection.

Colours may differ slightly from those depicted in both hue and finish.

1) textured finish

## Dimensions and configuration options

### Single unit

		Overall awning width						Minimum width	
		250	300	350	400	450	500	Motor	Crank handle
Order dimensions		179	251	301	351	401	451		
		250	300	350	400	450	500		
H	150	1) <sup>1)</sup>						179	179
	200	1) <sup>1)</sup>						229	229
	250	—	1) <sup>1)</sup>					279	279
	300	—	—	1) <sup>1)</sup>				329	329

dimensions in cm

1) = please note the minimum widths!

= 2 standard arms,  
2 brackets

H = projection

### Operation

	standard	optional
crank handle	✓	—
spring-assisted crank handle	—	✓
hard-wired motor	—	✓
silentec motor (optionally with external radio receiver io / RTS)	—	—
radio-controlled motor io, 868 MHz	—	✓
radio-controlled motor RTS, 433 MHz	—	✓
868 MHz radio-controlled motor io with manual override	—	✓

### Coupled awnings

not available

### Awning cover

	fabric pattern no.	standard	optional
sunvas	300.. - 315..	✓	—
sunsilk	324.. / 325.. / 328.. / 369..	✓	—
sunbow	411.. - 427..	✓	—
smart art	340..	—	✓
perla FR	371.. / 372..	—	✓
valance, height 20 cm		—	✓

### Shadeplus

not available

01	<b>Optional accessories</b>
02	folding-arm technology with bionic tendon
03	valance
04	wall sealing profile, up to a pitch of 35°
05	infrared heater 2500 W
06	infrared heater 2500 W with integrated radio-controlled receiver 868 MHz io
07	LED spotline – light bar 110 × 70 mm with 5 W LED spotlights, 180 cm / 3 spots or 300 cm / 5 spots
08	LED spotline io – light bar 110 × 70 mm with 5 W LED spotlight-integrated dimmable radio-controlled receiver, width 180 cm / 3 spots or 300 cm / 5 spots
09	automatic controls (light, wind, rain)
10	N.B. Important background information can be found in the chapter “Optional Accessories”

<b>Fixture options</b>	
face fixture bracket 150 mm	71624.
face fixture bracket 300 mm, left	70617.
face fixture bracket 300 mm, right	70600.
spreader plate A face fixture	75326.
spreader plate B face fixture	75325.
markilux panel 250 × 230 × 49 mm	76308.
markilux panel continuous	701104
stand-off bracket for face-fixture bracket 70617. und 70600.	77968.
top fixture bracket 150 mm	71625.
eaves fixture bracket 90 mm plate 150 mm plate	71612.
eaves fixture bracket 90 mm plate 270 mm plate	71659.
flat plate and angled bracket for eaves fixture, machine finish plate 500 mm	716620
spreader plate 260 × 60 × 12 mm	75383.

## 10

11

### No. of brackets | No. of fixing points

12

13

14

15

16

17

		Overall awning width					
		250	300	350	400	450	500
Order dimensions		179	251	301	351	401	451
		250	300	350	400	450	500
		No. of brackets   No. of fixing points					
W	BHT	2   6					
BP		A 2   16 B 2   8					
PA		2   8					
DA / DE	15	2   8					

dimensions in cm

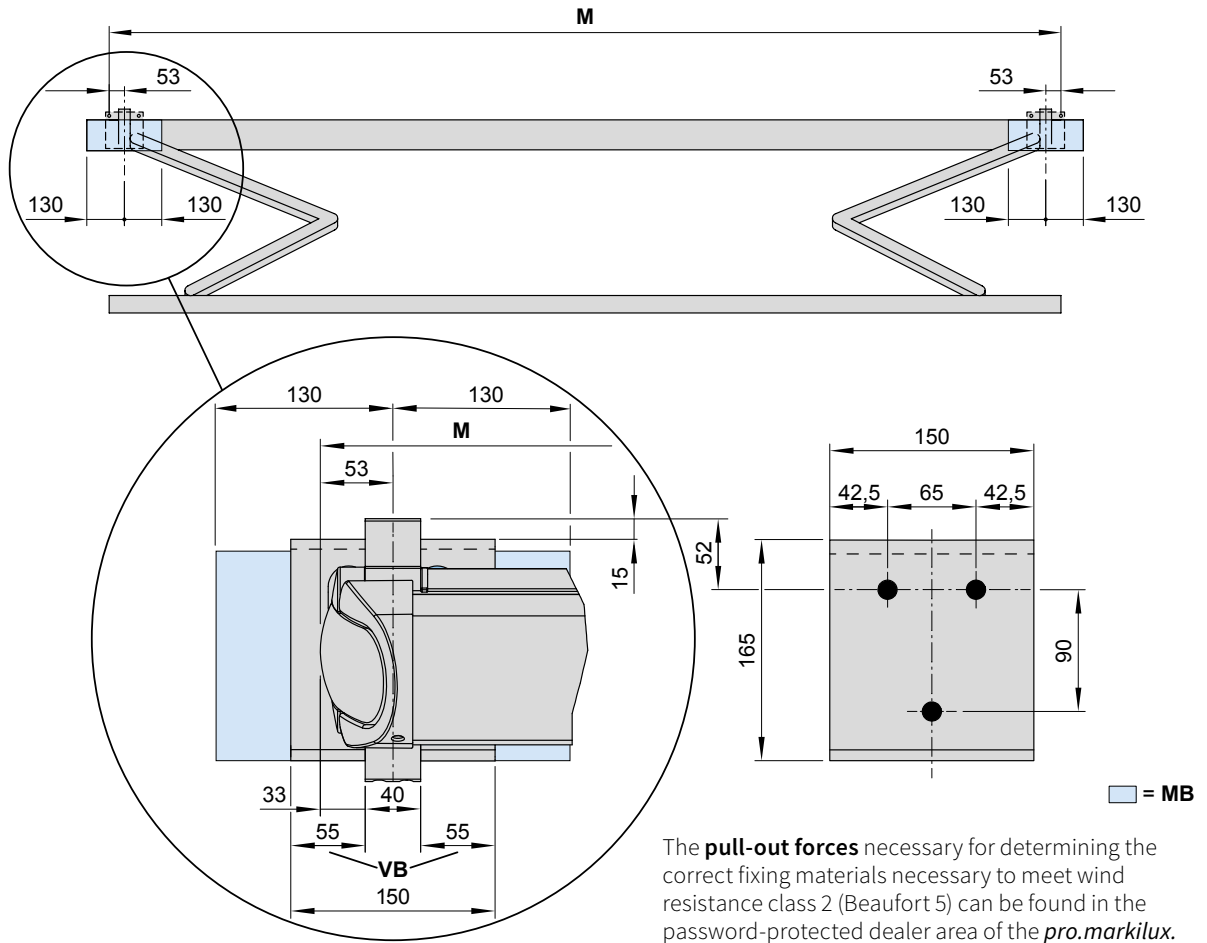
If the brackets cannot be positioned in accordance with this table, make sure the actual dimensions are noted on the order form.

The **pull-out forces** necessary for determining the correct fixing materials necessary to meet wind resistance class 2 (Beaufort 5) can be found in the password-protected dealer area of the [pro.markilux.com](http://pro.markilux.com) website under “Pull-out Forces”.

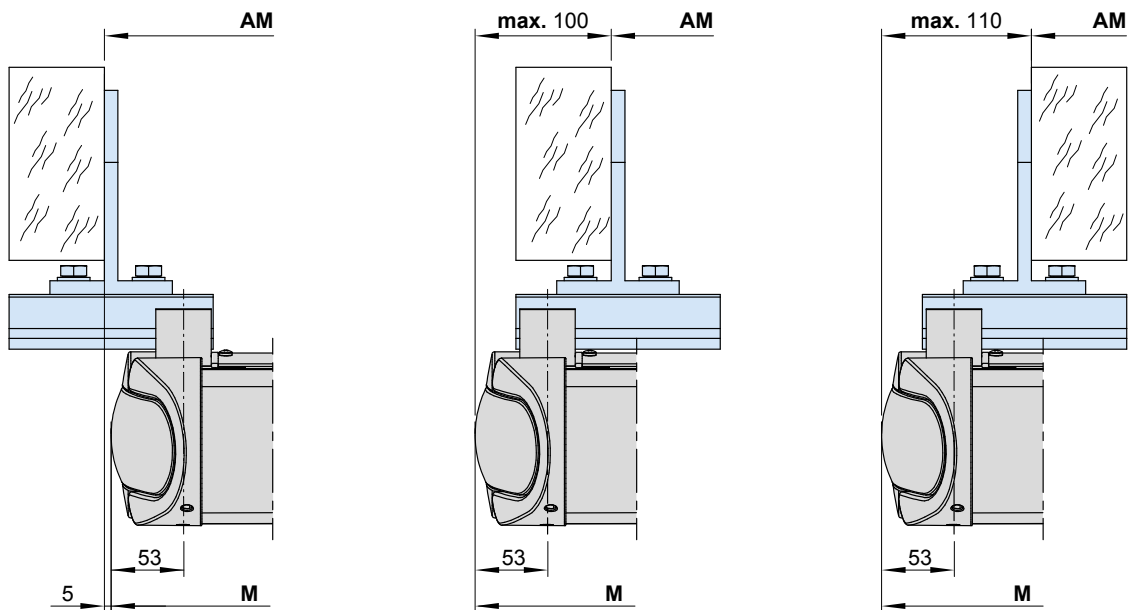
<b>A</b>	= arm position
<b>BHT</b>	= bracket width
<b>BP</b>	= spreader plate ( <b>A</b> or <b>B</b> )
<b>DA</b>	= eaves fixture brackets
<b>DE</b>	= top fixture brackets
<b>H</b>	= order dimension = projection
<b>M</b>	= order dimension = awning width
<b>PA</b>	= markilux panel, fixture profile, width 250 mm
<b>W</b>	= face fixture brackets

# Bracket fixture range

## Face and top fixture



## Eaves fixture



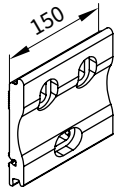
- AM = installation dimensions
- M = **order width** = awning width
- MB = bracket fixture range
- VB = adjustment range, face fixture bracket

dimensions in mm

01  
02  
03  
04  
05  
06  
07  
08  
09  
10  
11  
12  
13  
14  
15  
16  
17

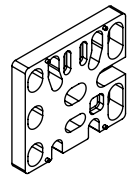
# Face fixture

## Fixtures, fittings and accessories



face fixture bracket  
150 mm

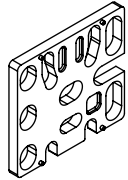
**71624.**



spacer plate  
for face/top fixture  
150 × 136 × 20 mm

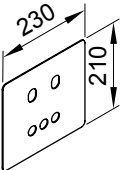
**N.B!**  
stack to a max. height of  
200 mm

**716331**



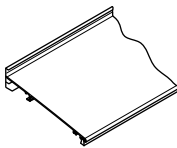
spacer plate for face  
fixture  
150 × 136 × 12 mm

**71644.**



cover plate for spacer  
plate and stand-off  
brackets in the case of  
external insulation  
230 × 210 × 2 mm

**71843.**



wall sealing profile  
incl. brush seal  
by the metre

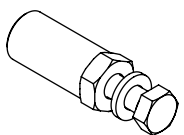
**76385. and 704241.**



side plate  
for wall sealing profile

Including 2 pan-head  
self-tapping screws

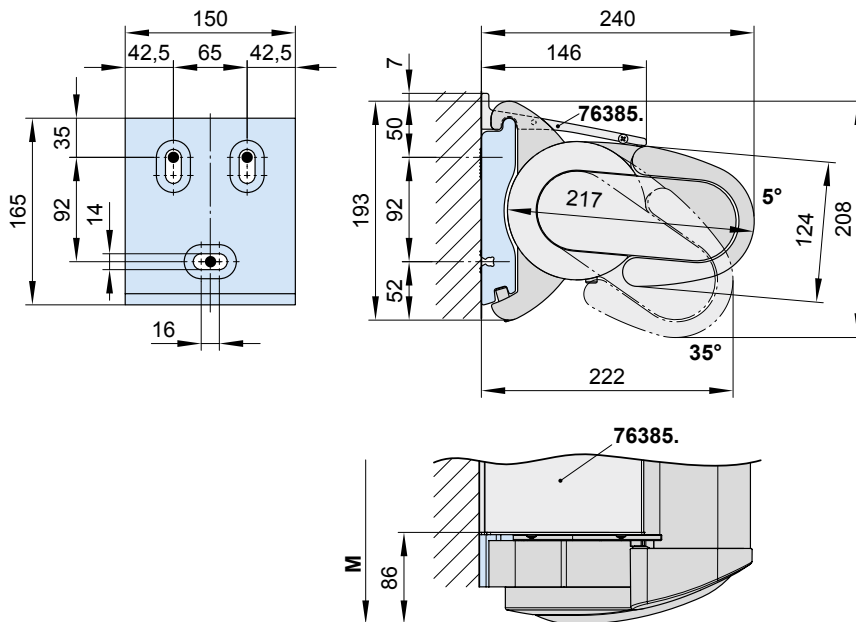
**76465. und 2 × 735611**



reduction bolt  
pack 10 pcs

M 16 → M 12 | M 16 → M 10 | M 12 → M 10 | M 10 → M 10

The **pull-out forces** necessary for determining the correct fixing materials necessary to meet wind resistance class 2 (Beaufort 5) can be found in the password-protected dealer area of the [pro.markilux.com](http://pro.markilux.com) website under "Pull-out Forces".



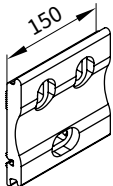
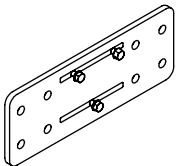
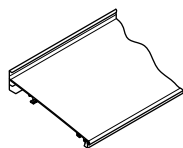
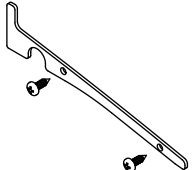
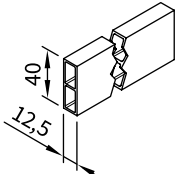
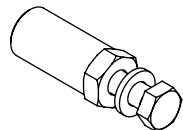
**76385.** = wall sealing profile (standard width = awning width (M) - 168 mm; up to a maximum awning pitch of 35°)

dimensions in mm



## Face fixture with spreader plate A

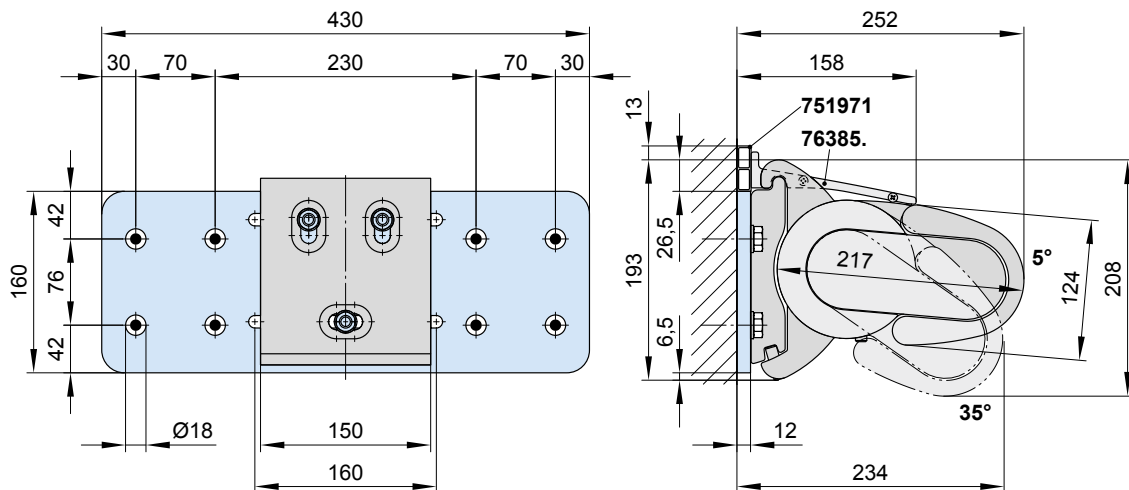
Fixtures, fittings and accessories

 <p>face fixture bracket 150 mm</p> <p><b>71624.</b></p>	 <p>spreader plate A face fixture 430 × 160 × 12 mm</p> <p><b>75326.</b></p>	 <p>wall sealing profile incl. brush seal by the metre</p> <p><b>76385. and 704241.</b></p>
 <p>side plate for wall sealing profile</p> <p>Including 2 pan-head self-tapping screws</p> <p><b>76465. und 2 × 735611</b></p>	 <p>stand-off strip for wall sealing by the metre</p> <p><b>751971</b></p>	 <p>reduction bolt pack 10 pcs</p> <p>M 16 → M 12   M 16 → M 10   M 12 → M 10   M 10 → M 10</p>

01  
02  
03  
04  
05  
06  
07  
08  
09

**10**

11  
12  
13  
14  
15  
16  
17

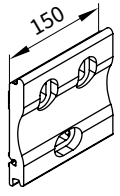


- 751971** = stand-off strip for wall sealing profile  
**76385.** = wall sealing profile (standard width = awning width (M) – 168 mm;  
 up to a maximum awning pitch of 35°)

dimensions in mm

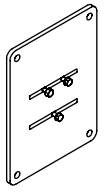
01 **Face fixture with spreader plate B**

02 Fixtures, fittings and accessories

03  face fixture bracket  
150 mm

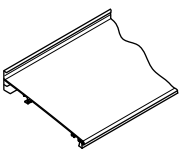
04

05 **71624.**

03  spreader plate B face  
fixture  
300 × 400 × 12 mm

04

05 **75325.**

03  wall sealing profile  
incl. brush seal  
by the metre

04

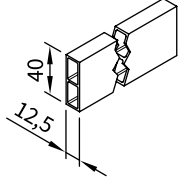
05 **76385. and 704241.**

06  side plate  
for wall sealing profile  
Including 2 pan-head  
self-tapping screws

07

08

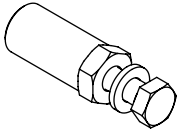
09 **76465. und 2 × 735611**

06  stand-off strip  
for wall sealing  
by the metre

07

08

09 **751971**

06  reduction bolt  
pack 10 pcs

07

08

09 M 16 → M 12 | M 16 → M 10 | M 12 → M 10 | M 10 → M 10

10

11

12

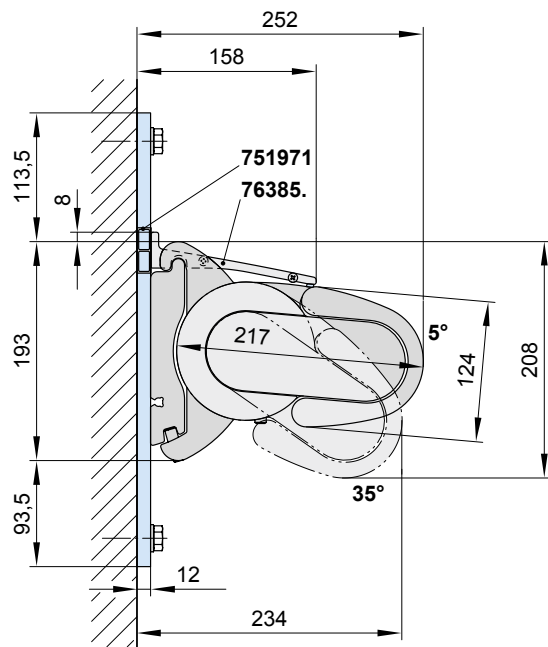
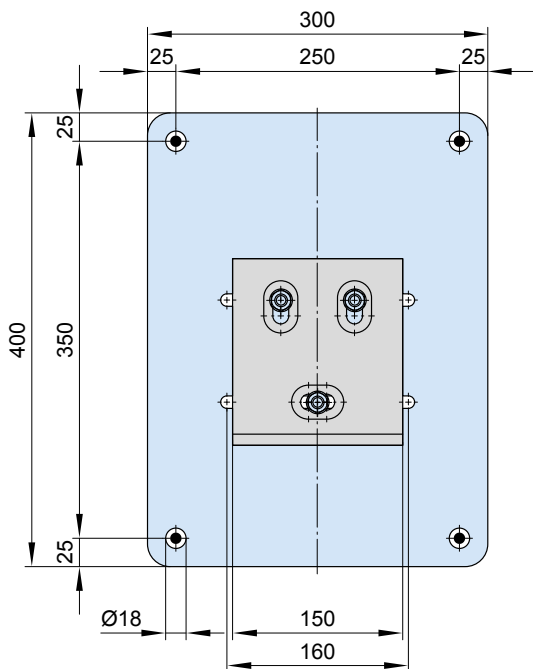
13

14

15

16

17

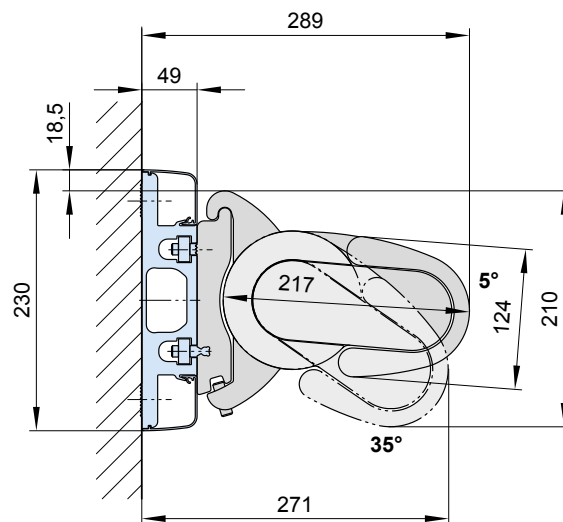
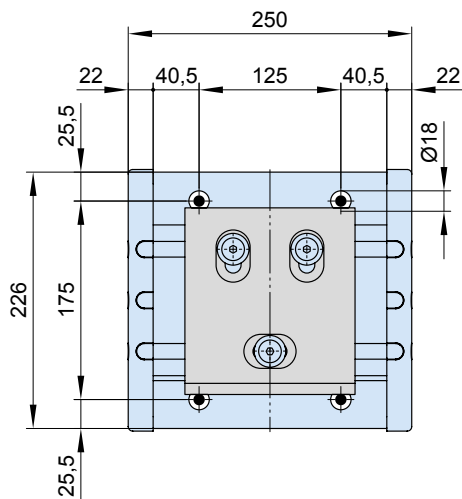
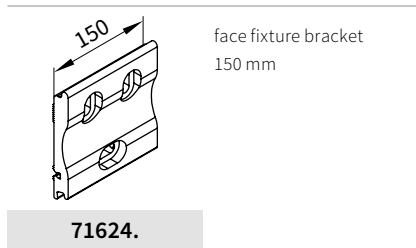


**751971** = stand-off strip for wall sealing profile  
**76385.** = wall sealing profile (standard width = awning width (M) - 168 mm;  
 up to a maximum awning pitch of 35°)

dimensions in mm

## Face fixture using the markilux panel 250 mm wide

Fixtures, fittings and accessories

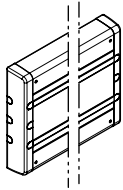


dimensions in mm

01  
02  
03  
04  
05  
06  
07  
08  
09  
**10**  
11  
12  
13  
14  
15  
16  
17

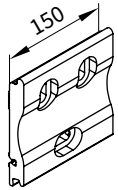
# Continuous face fixture using the markilux panel

## Fixtures, fittings and accessories



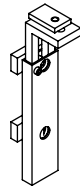
markilux panel continuous  
with decorative profiles and end caps

**701104**



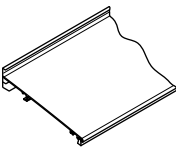
face fixture bracket  
150 mm

**71624.**



bracket for wall sealing profile

**76387.**



wall sealing profile  
incl. brush seal  
by the metre

**76385. and 704241.**

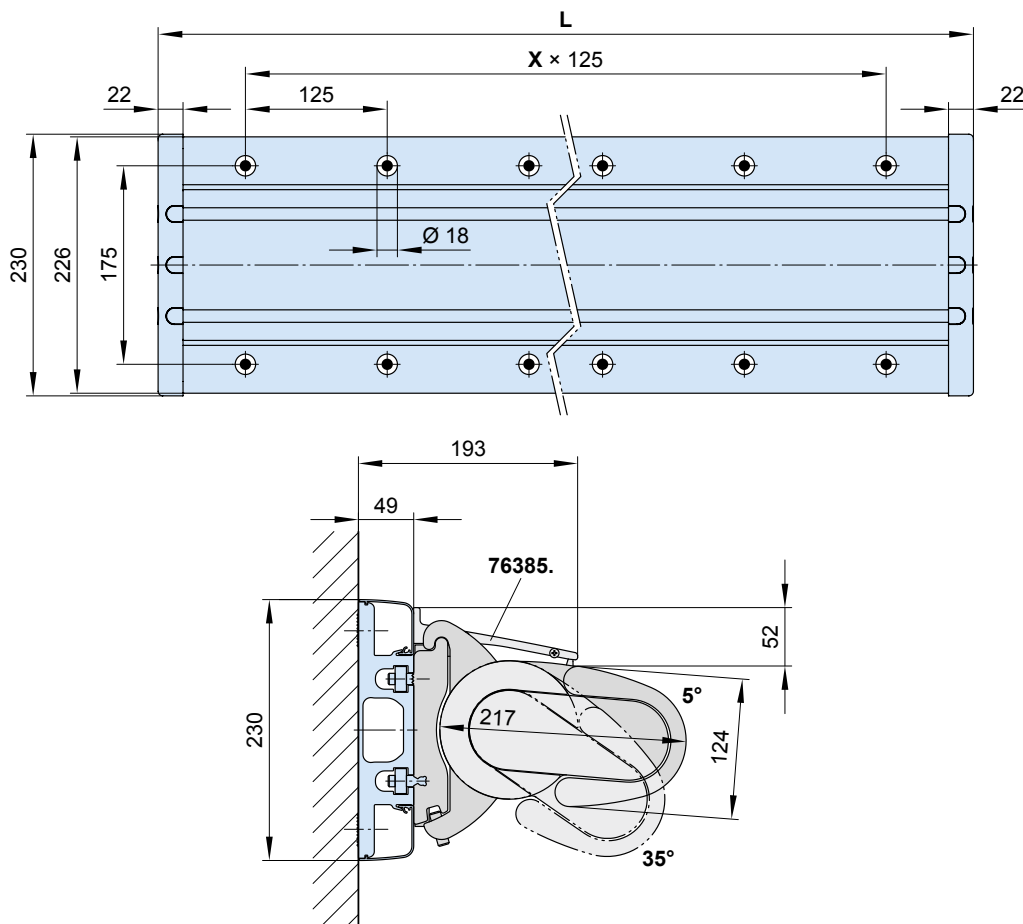


side plate for wall sealing profile  
Including 2 pan-head self-tapping screws

**76465. und 2 × 735611**

**10** As a **continuous fixture profile**, the markilux panel will always be supplied to order on the basis of a technical drawing prepared in the factory in accordance with the awning specification.

The technical drawing shows the fixture points and pull-out forces and must be approved in writing.

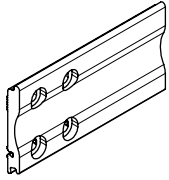


- 76385.** = wall sealing profile (standard width =  $M$  - 168 mm; up to a maximum awning pitch of 35°)
- L** = individual width, max. 7000 mm, (standard  $L = M + 20$  mm)
- X** = fixing point separation, by way of example

dimensions in mm

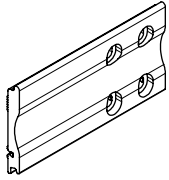
# Face fixture with stand-off bracket

Fixtures, fittings and accessories



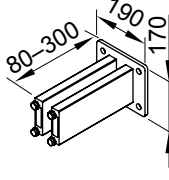
face fixture bracket  
300 mm, left

**70617.**



face fixture bracket  
300 mm, right

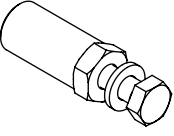
**70600.**



Stand-off bracket  
for face fixture bracket  
70617. and 70600.

80-300 mm  
incl. insulating element

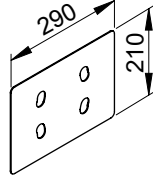
**77968.**



reduction bolt

pack 10 pcs

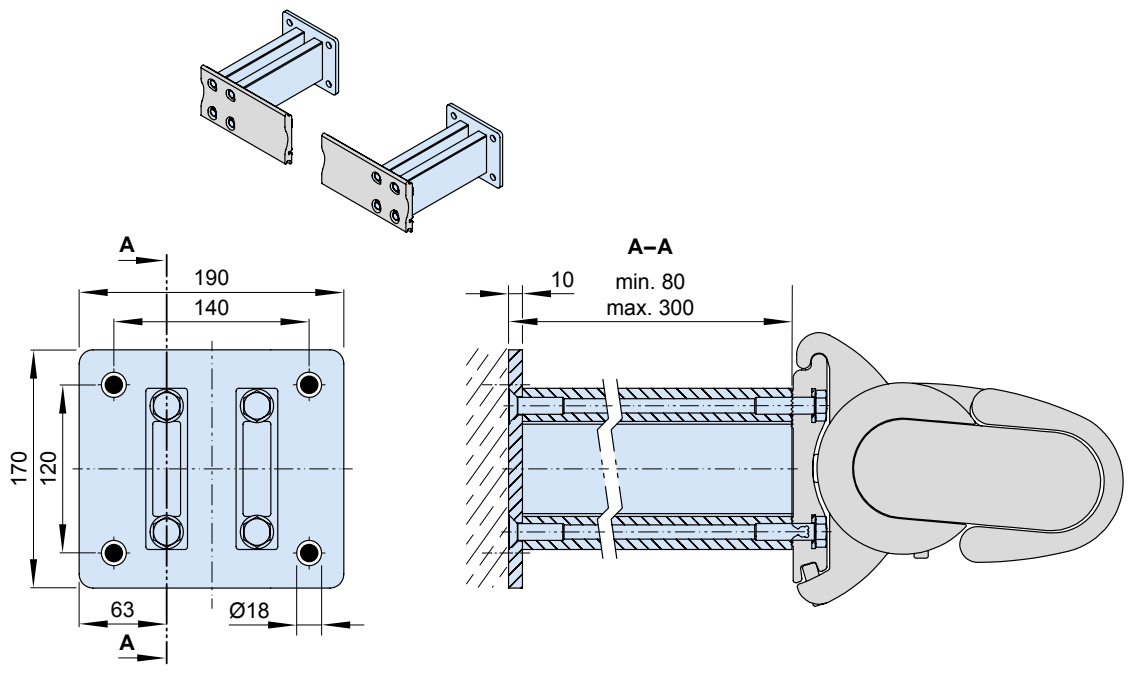
M 16 → M 12 | M 16 → M 10 | M 12 → M 10 | M 10 → M 10



cover plate for spacer  
plate and stand-off  
brackets in the case of  
external insulation  
290 × 210 × 2 mm

**71841.**

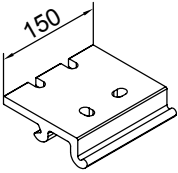
- 01
- 02
- 03
- 04
- 05
- 06
- 07
- 08
- 09
- 10**
- 11
- 12
- 13
- 14
- 15
- 16
- 17



dimensions in mm

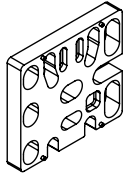
01 **Top fixture**

02 Fixtures, fittings and accessories

03  top fixture bracket  
150 mm

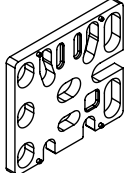
04

05 **71625.**

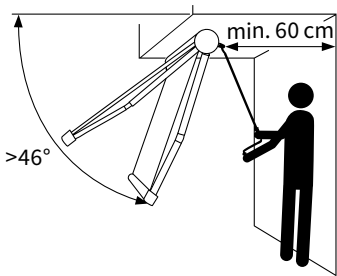
03  spacer plate  
for face/top fixture  
150 × 136 × 20 mm

04 **N.B!**  
stack to a max. height of  
200 mm

05 **716331**

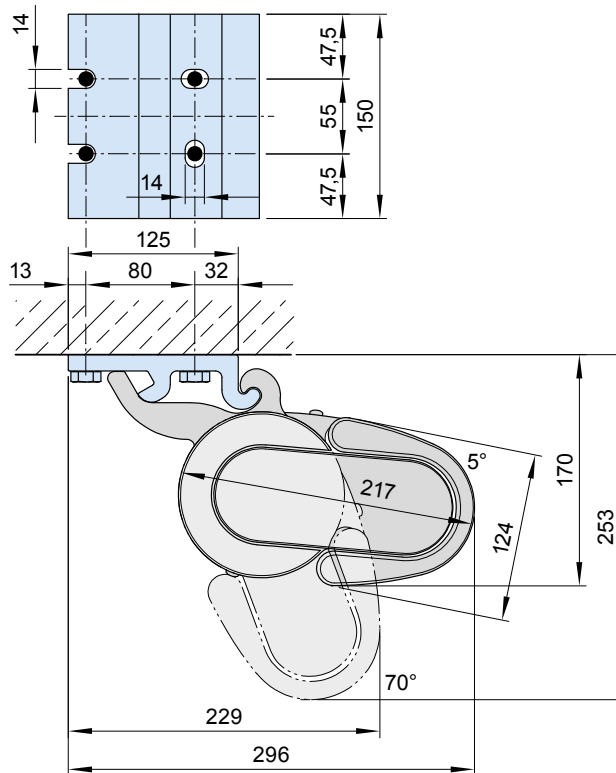
03  spacer plate for face  
fixture  
150 × 136 × 12 mm

04 **71644.**



07 **N.B.!** At a pitch of more than 46° to the horizontal there must be an area accessible behind the awning at least 60 cm deep to allow operation of an RTS motor with manual override.

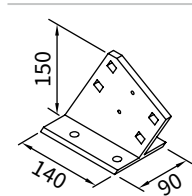
10



dimensions in mm

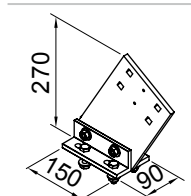
# Eaves fixture

## Fixtures, fittings and accessories



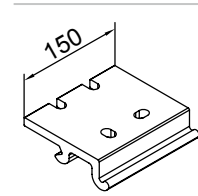
eaves fixture bracket  
90 mm  
height of flat plate  
150 mm

**71612.**



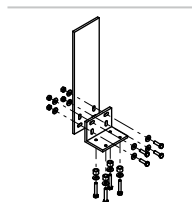
eaves fixture bracket  
90 mm  
height of flat plate  
270 mm

**71659.**



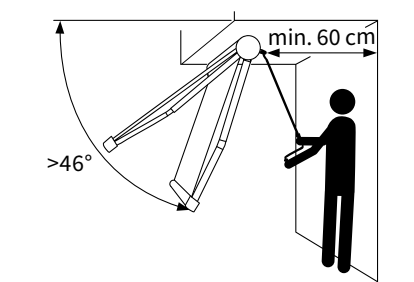
top fixture bracket  
150 mm

**71625.**



angle and plate for  
eaves fixture  
height of plate 500 mm  
machine finish

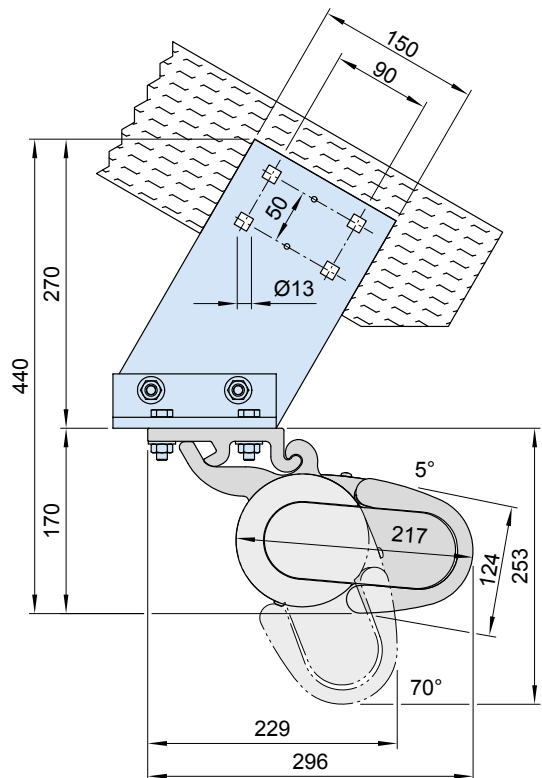
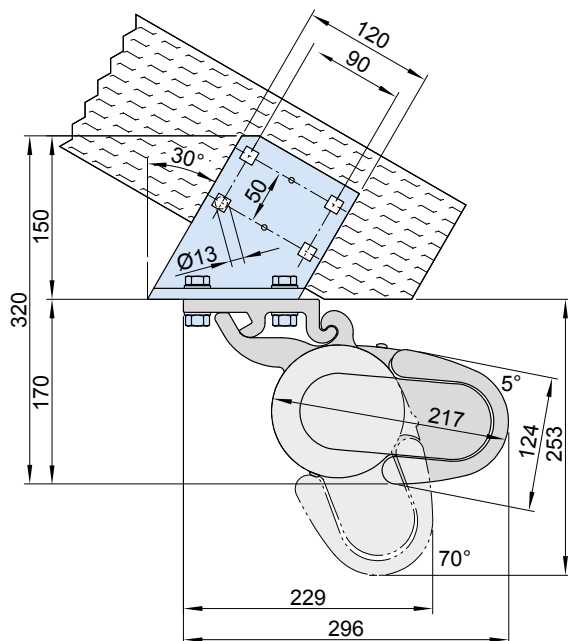
**716620**



**N.B.!** At a pitch of more than  $46^\circ$  to the horizontal there must be an area accessible behind the awning at least 60 cm deep to allow operation of an RTS motor with manual override.

With eaves fixture bracket, 150 mm (71612.)

With eaves fixture bracket, 270 mm (71659.)



dimensions in mm

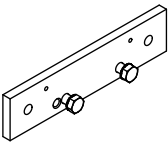
01  
02  
03  
04  
05  
06  
07  
08  
09  
**10**  
11  
12  
13  
14  
15  
16  
17

01 **Eaves fixture with additional plate**

02 Fixtures, fittings and accessories

03 supplementary flat plate  
for eaves fixture

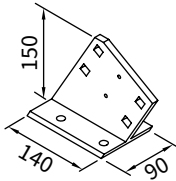
04 260 × 60 × 12 mm



05 **75383.**

03 eaves fixture bracket  
90 mm

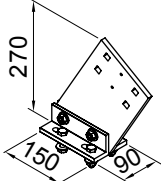
04 height of flat plate  
150 mm



05 **71612.**

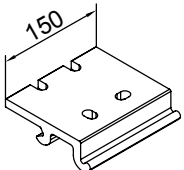
03 eaves fixture bracket  
90 mm

04 height of flat plate  
270 mm

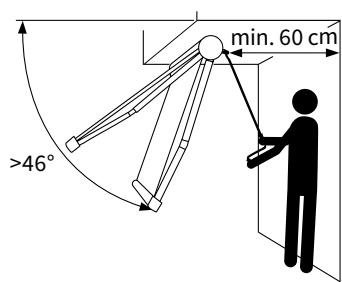


05 **71659.**

06 top fixture bracket  
150 mm



07 **71625.**

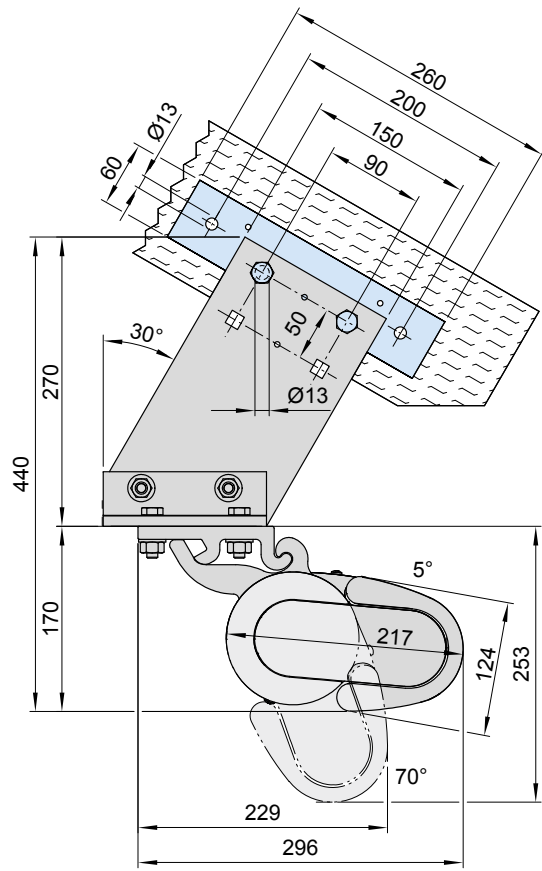
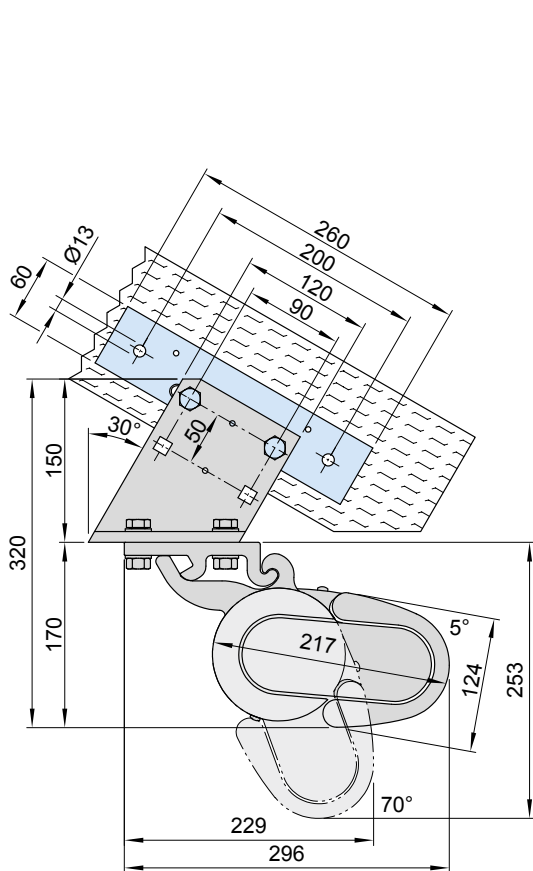


**N.B.!** At a pitch of more than 46° to the horizontal there must be an area accessible behind the awning at least 60 cm deep to allow operation of an RTS motor with manual override.

10

12 With eaves fixture bracket 150 mm (71612.)

12 With eaves fixture bracket 270 mm (71659.)

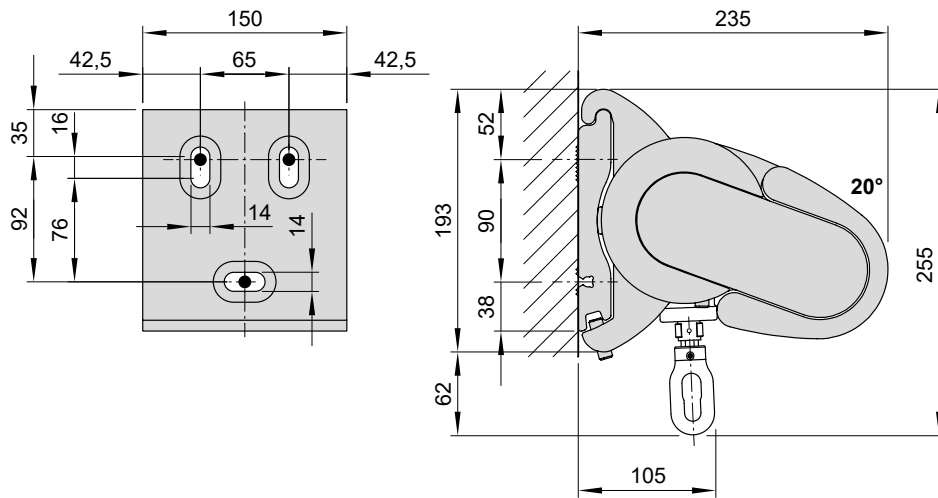


dimensions in mm



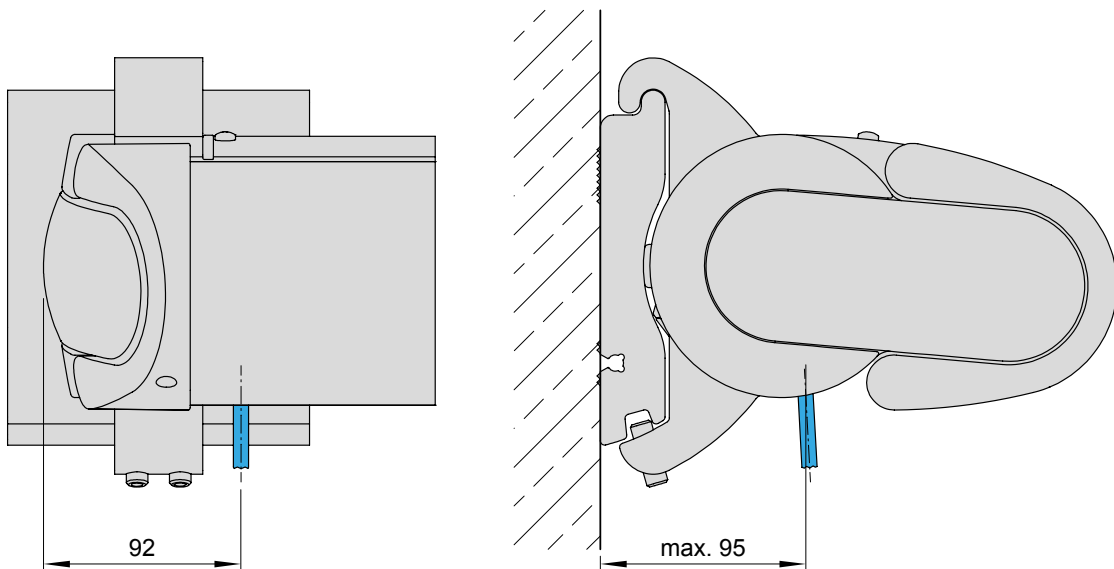
# Face fixture, manual operation

Lateral view



dimensions in mm

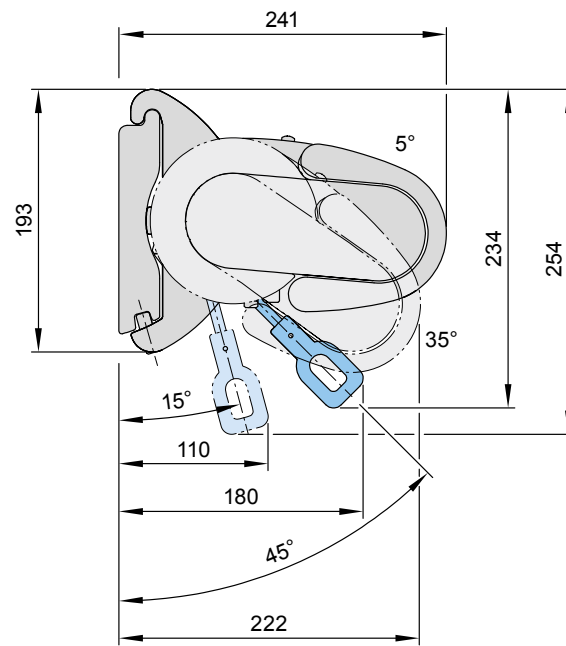
# Motor cable exit point



dimensions in mm

01  
02  
03  
04  
05  
06  
07  
08  
09  
**10**  
11  
12  
13  
14  
15  
16  
17

## 01 Face fixture, radio-controlled motor with manual override

**10**