



Semi-cassette awning

markilux 1600

The awning with excellent design features and well-thought-out mechanics.



markilux.com

markilux
safe timeless beautiful

Product Characteristics

Wind resistance class 2
Beaufort 5 → 7.5–10.4 m/s → 28–37 km/h → 17–23 mph



12

1) face fixture



1) face fixture, maximum pitch of 50°



1) top fixture



2) retraction phase



3) shadeplus, during extension ¹⁾



4) twin steel-link chain, corrosion protected



4) bionic tendon made of high-tech fibres for optimum power transference ¹⁾



4) LED Lines in the folding arms ¹⁾



5) wall sealing profile, up to a pitch of 25° ¹⁾



1) Optional accessories

Product Characteristics

Description

- the folding-arm awning with exceptional, organic design characteristics and pivoting coverboard, ideally suited for shading large areas

Special features

- the dynamically rounded coverboard gives it the appearance of a full cassette awning
- during the closing procedure, the coverboard tilts automatically down the given pitch of the awning and together with the front profile encloses the roller tube completely (the awning is open underneath)
- coverboard with integrated brush so that debris does not get dragged into the awning as it closes
- option of shadeplus up to a projection of 350 cm – vertical protection against low-lying sun and inquisitive glances integrated into the front profile, can be operated by radio remote control
- optional wireless io-dimmable LED Line lighting in the folding arms which provides uniform illumination under the awning
- awning with an extremely torsion-resistant, round torque bar which gives a certain degree of flexibility when choosing the fixture points

Dimensions

- cassette in the standard version: depth 254 mm, height 223 mm
- single unit: minimum width 174 cm at the smallest projection of 150 cm, maximum width 710 cm at the largest projection of 400 cm
- also available as a coupled unit

Roller tube and lateral bearings

- round roller tube Ø 85 mm with keyway, galvanised steel – excellent stability, ensures near perfect cover performance even at the largest widths
- the roller tube support bracket is made of extruded aluminium, powder coated, visually masked by the coverboard end cap

Awning profiles

- extruded aluminium, in façade quality, powder coated
- oval, single-piece coverboard, pre-fitted, enclosing the awning from behind and above
- semi-circular front profile becoming one with the coverboard when retracted
- round torque bar Ø 50 mm, galvanised both inside and out, powder coated

Folding arms

- profiles in extruded aluminium, in façade quality, powder coated
- moving parts made of drop-forged aluminium – the arms are therefore extremely fracture resistant
- pivot bolts in stainless steel run in Teflon-coated bronze bushes – practically maintenance free, virtually silent and extremely hard wearing
- power transference via corrosion-protected twin steel-link chains at the elbow joint, optionally with innovative bionic tendon made of high tensile, high-tech fibres – low in friction, noiseless, impervious to corrosion and UV resistant
- articulated arms with LED Line option as standard with markilux Bionic tendon at the elbow joint

End caps

- the coverboard end caps are made of high-quality plastic, powder coated
- the front profile and torque bar end caps are made of high-quality plastic, powder coated or in polished chrome

Fixture brackets

- face fixture, top fixture, eaves fixture
- extruded aluminium, powder coated
- pitch range 5°–50°, infinitely adjustable
- spacer plates, stand-off brackets and other accessories are available

01 **Frame and end cap colours**

markilux frame colours without surcharge

02

traffic white, RAL 9016

metallic aluminium, RAL 9006

grey brown, similar to RAL 8019

03



04

05

06

07

off-white textured finish, 5233 ¹⁾stone grey metallic, 5215 ¹⁾anthracite metallic, 5204 ¹⁾

08

09

10

11



12

havana brown textured finish, 5229 ¹⁾

13

14

15



16

17

off-white textured finish, 5233 ¹⁾ front profile and torque bar end cap in polished chromestone grey metallic, 5215 ¹⁾ front profile and torque bar end cap in polished chromeanthracite metallic, 5204 ¹⁾ front profile and torque bar end cap in polished chrome

Combination options – possible in any frame colour.

Non-standard powder-coated finish

Bespoke frame colours incur a surcharge – matt, metallic, finely textured and pearl finishes as well as other colour ranges (DB, Tiger etc.) on request. All frame colours are available at a surcharge with enhanced corrosion protection.

Colours may differ slightly from those depicted in both hue and finish.

1) textured finish

Dimensions and configuration options

Single unit

Order dimensions	Awning width										Minimum width				
	260	310	360	410	460	510	560	610	660	710 ²⁾	Motor			Crank handle	
	174	261	311	361	411	461	511	561	611	661					
	260	310	360	410	460	510	560	610	660	710					
H	150	³⁾									187	174	—	190	177
	200	³⁾									237	224	—	240	227
	250	—	³⁾								287	274	—	290	277
	300	—	—	³⁾							337	324	—	340	327
	350	—	—	—	³⁾					¹⁾	387	374	—	390	377
	400 ^{1) 2)}	—	—	—	—	³⁾				—	³⁾	437	424	687	—

dimensions in cm

- 1) = drop valance not available
- 2) = only available with motor drive (surcharge)
- 3) = please note the minimum widths!
- H = projection

- = 2 folding arms, 2 brackets
- = 2 folding arms, 3 brackets
- = 2 folding arms, 3 brackets, 1 rolltex bearings
- = 3 folding arms, 4 brackets, 2 rolltex bearings

- = 2 standard arms
- = 2 bespoke arms (surcharge)
- = 3 standard arms

Operation

	standard	optional
crank handle	✓	—
spring-assisted crank handle	—	✓
hard-wired motor	—	✓
silentec motor (optionally with an external io / RTS receiver)	—	—
radio-controlled motor io, 868 MHz	—	✓
radio-controlled motor RTS, 433 MHz	—	✓
868 MHz radio-controlled motor io with manual override ¹⁾	—	✓

1) For awnings with a maximum of 2 arms

Coupled awning (only with motor drive)¹⁾

2 fields, 1 motor, maximum width 1400 cm
maximum projection (depending on the width) 400 cm
junction roller (one-piece cover not available)

1) N.B! Important background information can be found in the chapter “General Information”, in the section “Coupled Awnings”

Awning cover	fabric pattern no.	standard	optional
sunvas	300.. - 315..	✓	—
sunsilk	324.. / 325.. / 328.. / 369..	✓	—
sunbow	411.. - 427..	✓	—
smart art	340..	—	✓
perla FR	371.. / 372..	—	✓
valance, height 20 cm		—	✓

Shadeplus ¹⁾	standard	optional
height 210 cm / 180 cm (sunbow)		
maximum awning projection 350 cm ²⁾		
crank handle	✓	—
hard-wired motor ³⁾	—	✓
radio-controlled motor io, 868 MHz ³⁾	—	✓
433 radio-controlled motor RTS ³⁾	—	✓
fabric pattern sunvas / sunsilk / sunbow / transolair / vuscreen Alu / Serge 600		

1) Only available in plain seamless fabrics (oversized, fabric width >120 cm) or in plains with a horizontal joint (fabric width 120 cm).

2) Not available in awning sizes from [611–660] × 350 cm

3) Height 100 cm, not available with sunbow

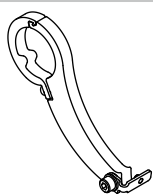
Optional accessories

drop valance, manual or motor operation
folding-arm technology with bionic tendon
valance
wall sealing profile (effective up to a maximum awning pitch of 25°); coverboard when fitted to the markilux panel, in one piece
infrared heater 2500 W
infrared heater 2500 W with integrated radio-controlled receiver 868 MHz io
LED spotline – light bar 110 × 70 mm with 5 W LED spotlights, 180 cm / 3 spots or 300 cm / 5 spots
LED spotline io – light bar 110 × 70 mm with 5 W LED spotlight-integrated dimmable radio-controlled receiver, width 180 cm / 3spots or 300 cm / 5 spots
LED Lines in the folding arms
automatic controls (light, wind, rain)

N.B. Important background information can be found in the chapter “Optional Accessories”.

Fixture options

wall bracket 100 mm	70867.
wall bracket 45 mm	71813.
spreader plate A	75326.
spreader plate B	75325.
markilux panel 250 × 230 × 49 mm	76308.
markilux panel continuous	701104
stand-off brackets for face fixture brackets 70867.	77968.
stand-off brackets for face fixture brackets 71813.	77967.
top fixture bracket 90 mm	70868.
top fixture bracket 45 mm	71818.
eaves fixture bracket 90 mm plate 150 mm	71612.
eaves fixture bracket 90 mm plate 270 mm	71659.
flat plate and angled bracket for eaves fixture, machine finish plate 500 mm	716620
supplementary flat backing plate for eaves fixture 260 × 60 × 12 mm	75383.
eaves fixture bracket adjustable from 7,5°–60°	71198.

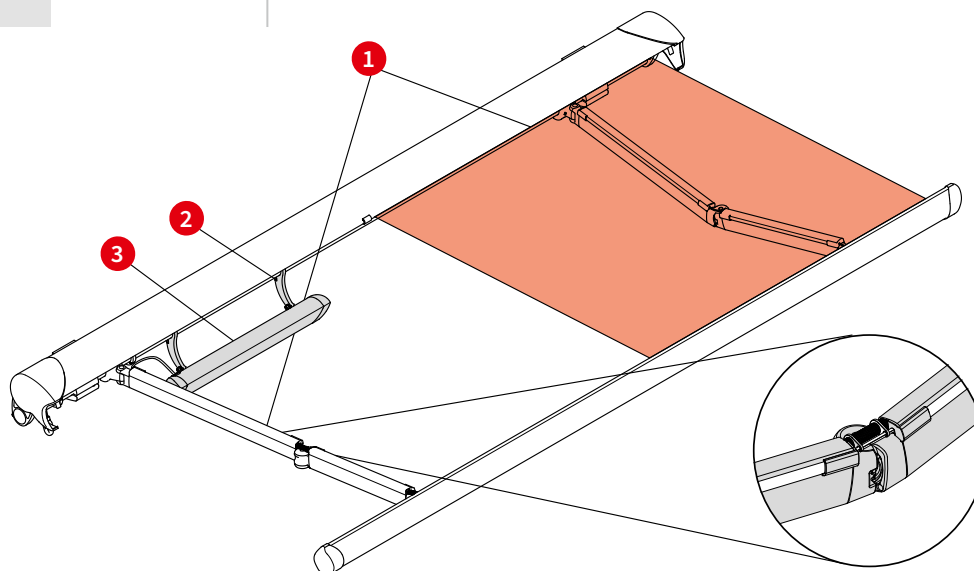
Lighting options**LED Lines in the folding arms**

fixture to a round torque bar, Ø 50 mm
incl. clamp plate

76972.

After fitting the awning, the E-box is to be attached on the drive side to the torque bar between the folding arms – it is attached on the bearing side only when the awning has a shadeplus with motor. For coupled awnings, the E-box must be attached in the area near the coupling point.

Power is supplied to the E-box through a cable duct attached to the torque bar.

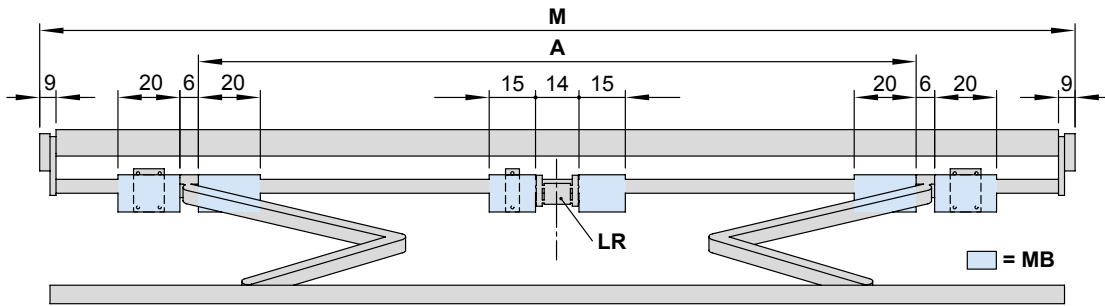
**Technical specification**

operating voltage	230 V, 50 Hz
power output per metre	8 W / metre
number of LEDs per metre	150 LEDs / metre
light source	LED (12 V)
light temperature	warm white
IP protection class	IP 67
service life	approx. 15.000 h

- 1 = LED Line in the folding arms
2 = E-Box bracket (76972.)
3 = additional E-Box

Bracket fixture range

Awning with 2 folding arms



dimensions in cm

		Overall awning width								
		260	310	360	410	460	510	560	610	660
Order dimensions		173	261	311	360	411	461	511	561	611
		260	310	360	410	460	510	560	610	660
		Arm position A								
H	150	154 ¹⁾	220	260	280	330	390	425	460	500
	200	204 ²⁾	204 ¹⁾	260	280	330	390	425	460	500
	250	—	254 ²⁾	254 ¹⁾	280	330	390	425	460	500
	300	—	—	304 ²⁾	304 ¹⁾	330	390	425	460	500
	350	—	—	—	354 ²⁾	370 ¹⁾	390	425	460	500
	400	—	—	—	—	404 ²⁾	425 ¹⁾	425	460	—
		No. of brackets No. of fixing points								
W	BHT									
	4,5	—					1 2			
	10	2 6					2 6			
BP		A 2 16 B 2 8					A 2 16 B 2 8			
DP		—					1			
PA		2 8					3 12			
DE	4,5	—					1 2			
	9	2 8					2 8			
DA	9	2 8					3 12			

dimensions in cm

If the brackets cannot be positioned in accordance with this table, make sure the actual dimensions are noted on the order form!

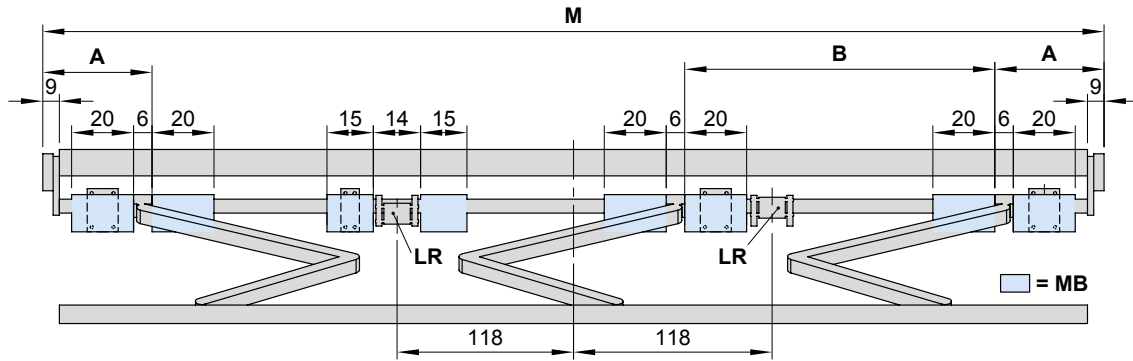
The **pull-out forces** necessary for determining the correct fixing materials necessary to meet wind resistance class 2 (Beaufort 5) can be found in the password-protected dealer area of the *pro.markilux.com* website under "Pull-out Forces".

- 1) = coupled awnings are available in intermediate widths with a junction roller on request
- 2) = please note the minimum widths! Dimension **A** is only valid for standard arms! In the case of bespoke arms: **A** minus 13 cm. In the case of small awnings the brackets can only be fitted inside the arms, i.e. the position denoted by measurement A. Coupled units are not available with a junction roller

- A** = arm position
- BHT** = bracket width
- BP** = spreader plate **A** or **B**, to be positioned behind the folding arm
- DA** = eaves fixture brackets
- DE** = top fixture brackets
- DP** = spacer plate 71826., to be positioned behind the rolltex bearing, in the case of spreader plate **A** or **B**
- H** = **order dimension** = projection
- LR** = rolltex bearing
- M** = **order dimension** = overall awning width
- MB** = bracket fixture range
- PA** = markilux panel, fixture profile, width 250 mm
- W** = face fixture brackets

Bracket fixture range

Awning with 3 folding arms



dimensions in cm

Awning width	
	710

Order dimensions

661
710

		Arm position	
		A	B
H	150	35	220
	200	35	220
	250	35	220
	300	35	220
	350	25 ¹⁾	230 ¹⁾
	400	17 ¹⁾	229 ¹⁾

		No. of brackets No. of fixing points	
W	4,5	1 2	
	10	3 9	
BP		A 3 24 B 3 12	
DP		1	
PA		4 16	
DE	4,5	1 2	
	9	3 12	
DA	9	4 16	

dimensions in cm

If the brackets cannot be positioned in accordance with this table, make sure the actual dimensions are noted on the order form!

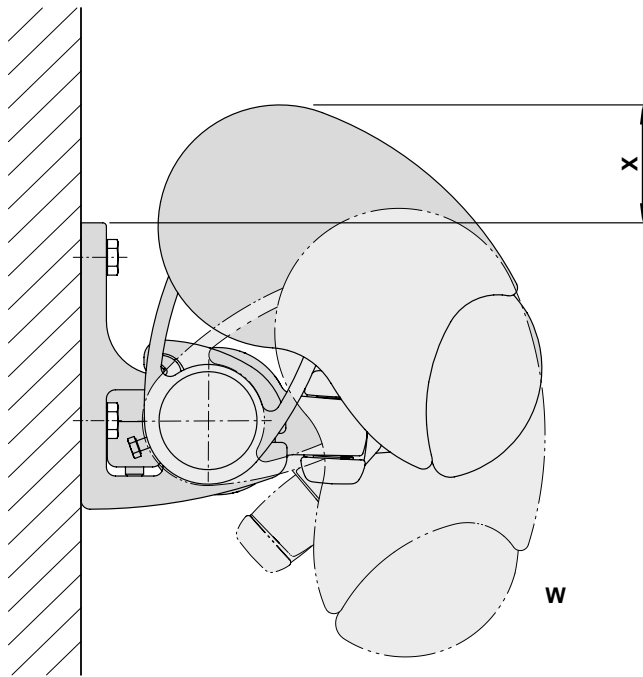
The **pull-out forces** necessary for determining the correct fixing materials necessary to meet wind resistance class 2 (Beaufort 5) can be found in the password-protected dealer area of the pro.markilux.com website under "Pull-out Forces".

- 1) = coupled units are not available with a junction roller
- A** = arm position
- BHT** = bracket width
- BP** = spreader plate **A** or **B**, to be positioned behind the folding arm
- DA** = eaves fixture brackets
- DE** = top fixture brackets

- DP** = spacer plate 71826., to be positioned behind the rolltex bearing, in the case of spreader plate **A** or **B**
- H** = **order dimension** = projection
- LR** = rolltex bearing
- M** = **order dimension** = overall awning width
- MB** = bracket fixture range
- PA** = markilux panel, fixture profile, width 250 mm
- W** = face fixture brackets

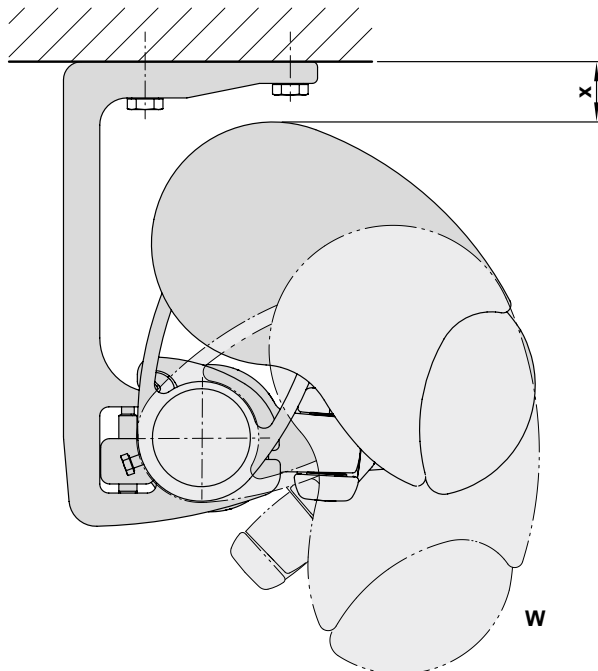
Overall unit height at different pitch settings

Face fixture



pitch (W)	approx. height in mm (X)
5°	65
10°	64
15°	60
20°	54
25°	48
30°	41
35°	34
40°	26
45°	17
50°	8

Top fixture



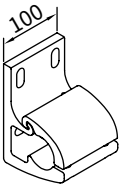
pitch (W)	approx. height in mm (X)
5°	33
10°	34
15°	38
20°	44
25°	50
30°	57
35°	65
40°	73
45°	81
50°	90

01
02
03
04
05
06
07
08
09
10
11
12
13
14
15
16
17

Face fixture

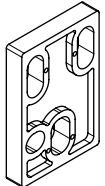
Fixtures, fittings and accessories

01
02
03
04
05
06
07
08
09
10
11
12
13
14
15
16
17



face fixture bracket
100 mm

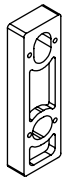
70867.



spacer plate
100 × 150 × 20 mm

N.B.!
Stack to a max. height
of 200 mm

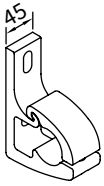
758831



spacer plate for face
fixture
45 × 150 × 20 mm

N.B.!
Stack to a max. height
of 200 mm

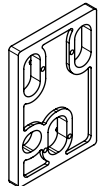
718251



face fixture bracket
45 mm

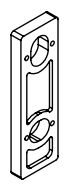
for installation in the
centre, depends on the
width

71813.



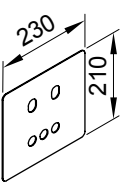
spacer plate
100 × 150 × 12 mm

758841



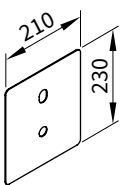
spacer plate for face
fixture
45 × 150 × 12 mm

71826.



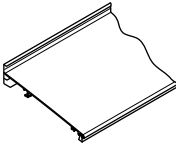
cover plate for spacer
plate and stand-off
brackets in the case of
external insulation
230 × 210 × 2 mm

71843.



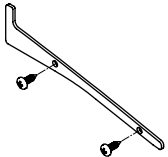
cover plate
for spacer plate and
stand-off brackets in
the case of external
insulation
210 × 230 × 2 mm

71844.



wall sealing profile
incl. brush seal
by the metre

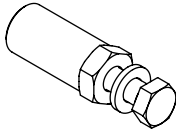
76385. and 704241.



side plate
for wall sealing profile

including 2 pan-head
self-tapping screws

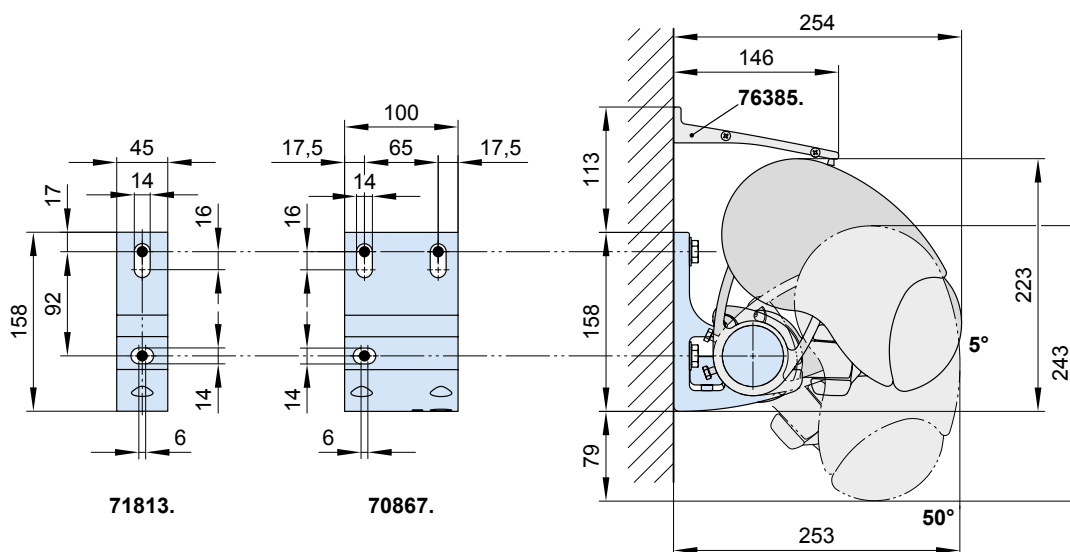
76386. and 2 × 735611



reduction bolt

pack 10 pcs

M 16 → M 12 | M 16 → M 10 | M 12 → M 10 | M 10 → M 10

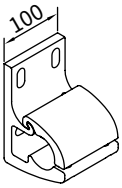


76385. = wall sealing profile (standard width = awning width (M); up to a maximum awning pitch of 25°)

dimensions in mm

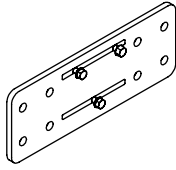
Face fixture with spreader plate A

Fixtures, fittings and accessories



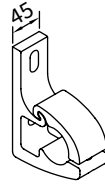
face fixture bracket
100 mm

70867.



spreader plate A face
fixture
430 × 160 × 12 mm

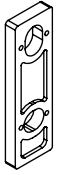
75326.



face fixture bracket
45 mm

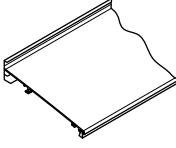
for installation in the
centre, depends on the
width

71813.



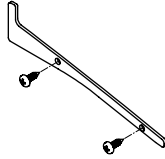
spacer plate for face
fixture
45 × 150 × 12 mm

71826.



wall sealing profile
incl. brush seal
by the metre

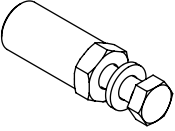
76385. and 704241.



side plate
for wall sealing profile

including 2 pan-head
self-tapping screws

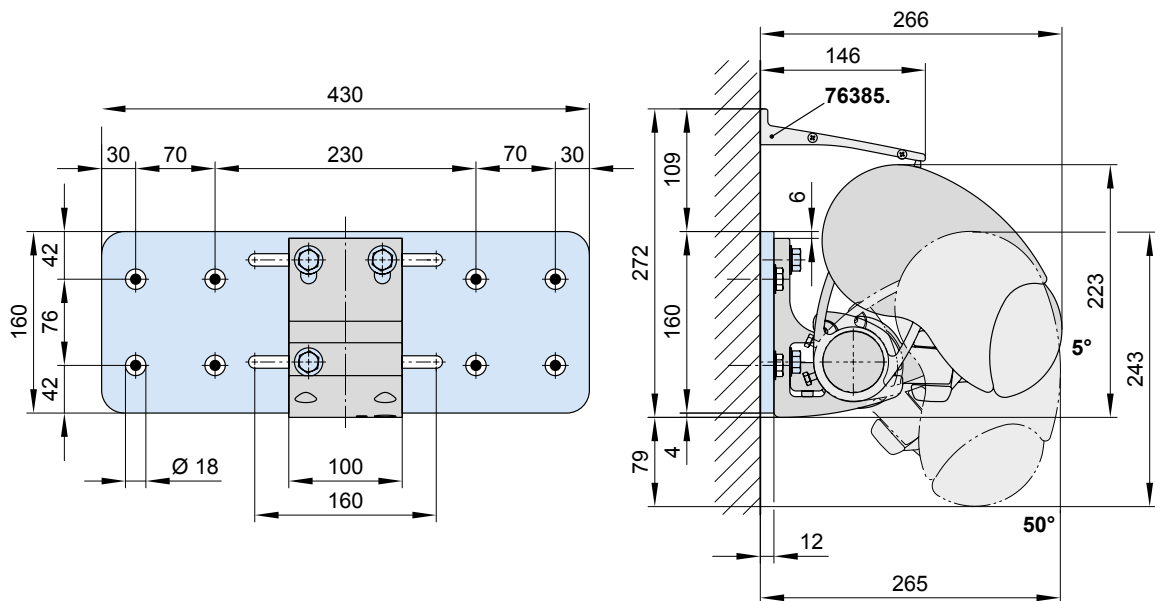
76386. and 2 × 735611



reduction bolt

pack 10 pcs

M 16 → M 12 | M 16 → M 10 | M 12 → M 10 | M 10 → M 10



76385. = wall sealing profile (standard width = awning width (M); up to a maximum awning pitch of 25°)

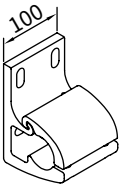
dimensions in mm

01
02
03
04
05
06
07
08
09
10
11
12
13
14
15
16
17

Face fixture with spreader plate B

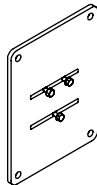
Fixtures, fittings and accessories

01
02
03
04
05
06
07
08
09
10
11
12
13
14
15
16
17



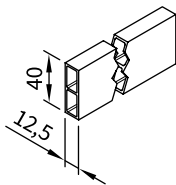
face fixture bracket
100 mm

70867.



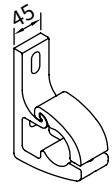
spreader plate B face
fixture
300 × 400 × 12 mm

75325.




stand-off strip
for wall sealing
by the metre

751971



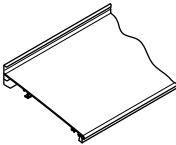
face fixture bracket
45 mm
for installation in the
centre, depends on the
width

71813.



spacer plate for face
fixture
45 × 150 × 12 mm

71826.



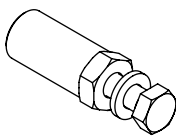
wall sealing profile
incl. brush seal
by the metre

76385. and 704241.



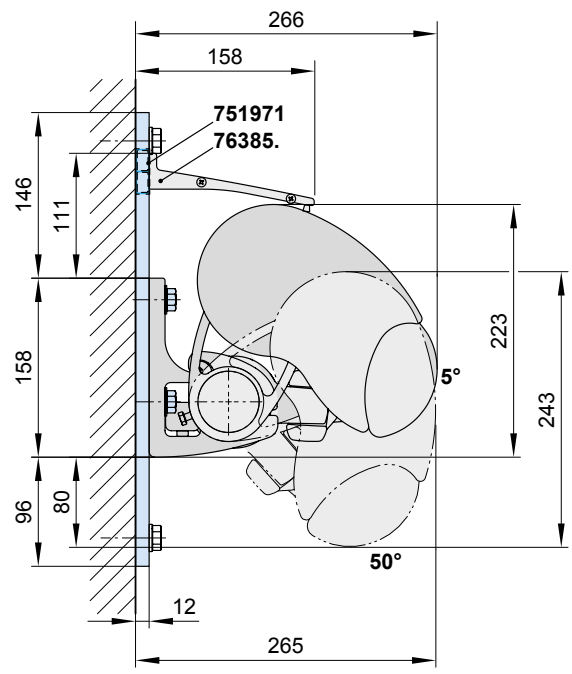
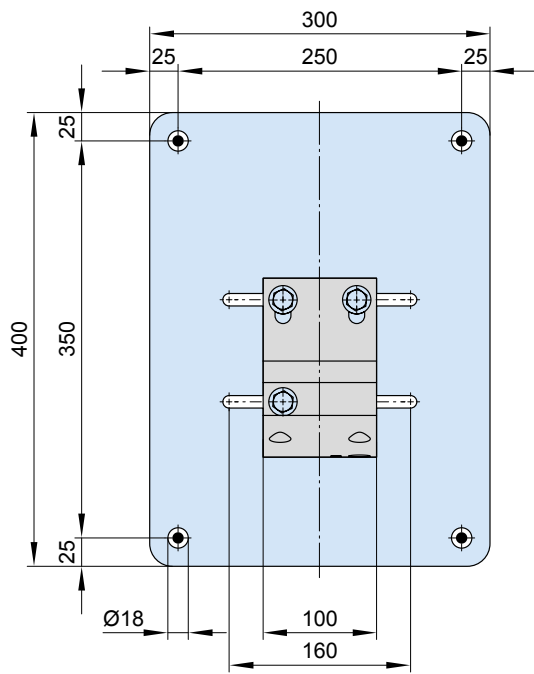
side plate
for wall sealing profile
including 2 pan-head
self-tapping screws

76386. and 2 × 735611



reduction bolt
pack 10 pcs

M 16 → M 12 | M 16 → M 10 | M 12 → M 10 | M 10 → M 10

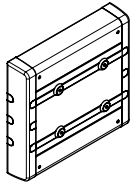


751971 = stand-off strip for wall sealing profile
76385. = wall sealing profile (standard width = awning width (M); up to a maximum awning pitch of 25°)

dimensions in mm

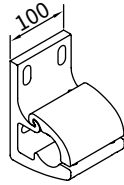
Face fixture using the markilux panel 250 mm wide

Fixtures, fittings and accessories



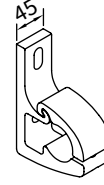
markilux panel
250 × 230 × 49 mm
with decorative profiles
and end caps

76308.



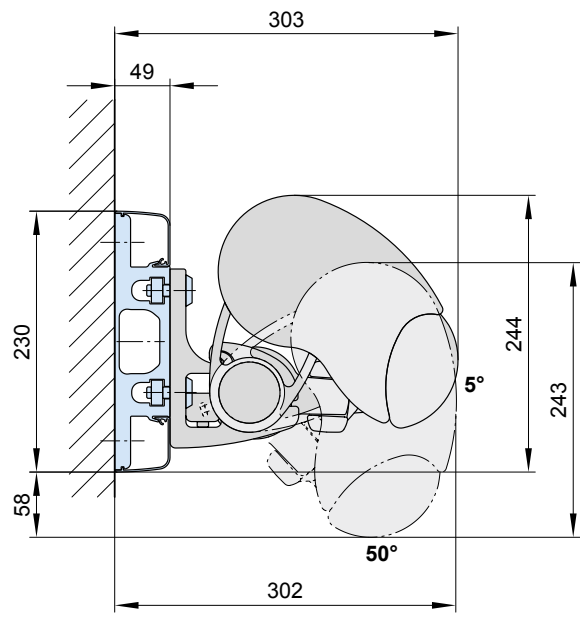
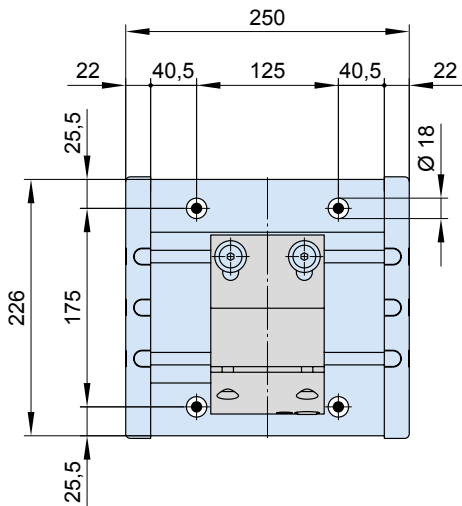
face fixture bracket
100 mm

70867.



face fixture bracket
45 mm
for installation in the
centre, depends on the
width

71813.

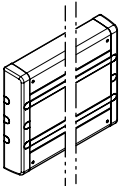


dimensions in mm

01
02
03
04
05
06
07
08
09
10
11
12
13
14
15
16
17

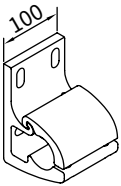
Face fixture with markilux panel continuous

Fixtures, fittings and accessories



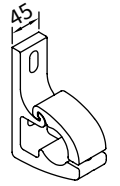
markilux panel continuous
with decorative profiles and end caps

701104



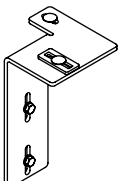
face fixture bracket 100 mm

70867.



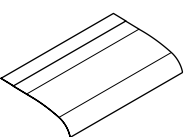
face fixture bracket 45 mm
for installation in the centre, depends on the width

71813.



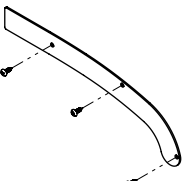
bracket coverboard

76390.



coverboard incl. additional profile and rubber sealing strip

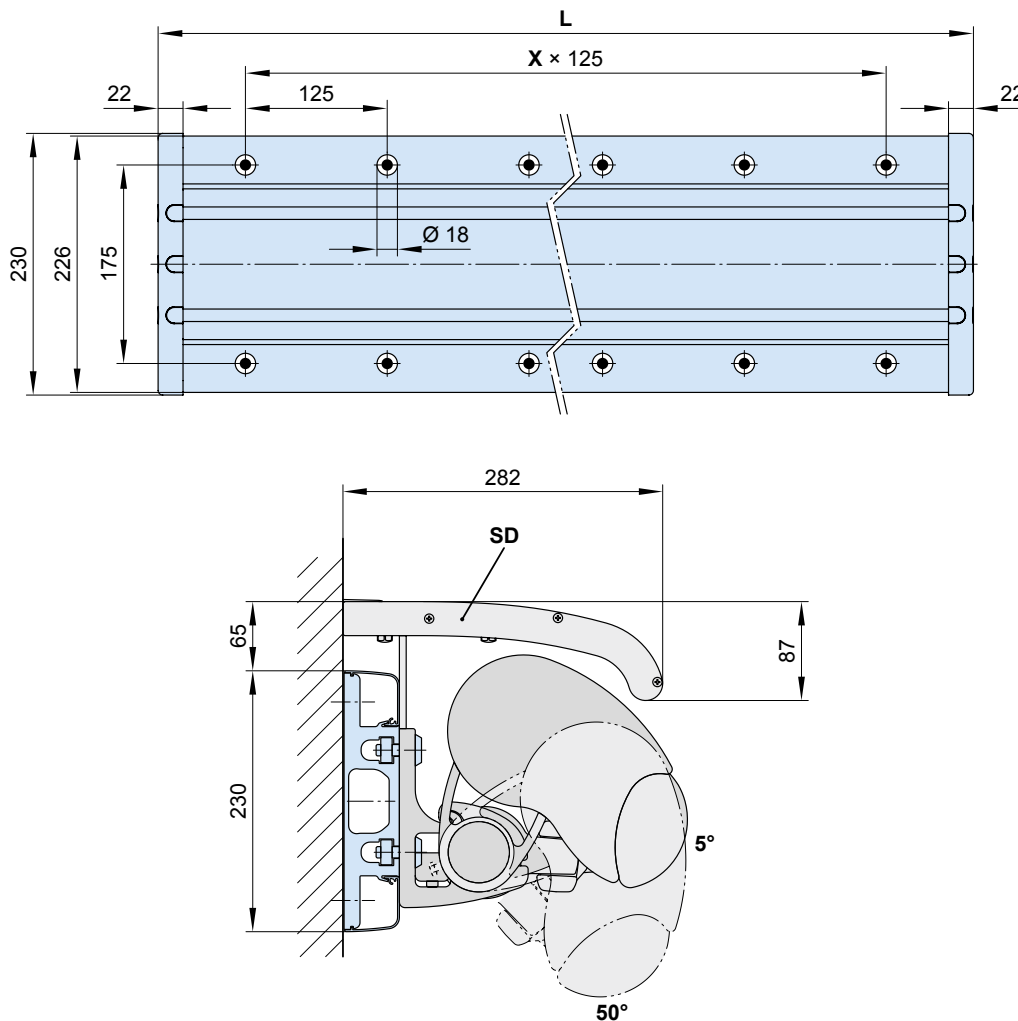
72015., 72019., 75970.



side cover profile coverboard 282 x 87 x 2 mm
Including 3 pan-head self-tapping screws for wall sealing profile

76469. and 3 x 735611

As a **continuous fixture profile**, the markilux panel will always be supplied to order on the basis of a technical drawing prepared in the factory in accordance with the awning specification. The technical drawing shows the fixture points and pull-out forces and must be approved in writing.

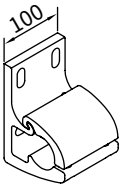


- L = individual width, max. 7000 mm
- SD = coverboard
- x = fixing point separation, **by way of example**

dimensions in mm

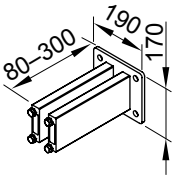
Face fixture with stand-off bracket

Fixtures, fittings and accessories



face fixture bracket
100 mm

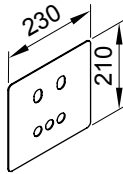
70867.



stand-off bracket
for face fixture
bracket 70867.

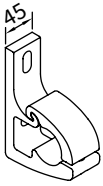
80-300 mm
incl. insulating element

77968.



cover plate for spacer
plate and stand-off
brackets in the case of
external insulation
230 × 210 × 2 mm

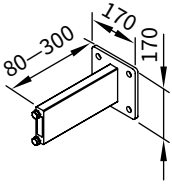
71843.



face fixture bracket
45 mm

for installation in the
centre, depends on the
width

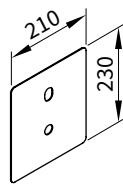
71813.



Stand-off bracket
for face fixture
bracket

80-300 mm
incl. insulating element

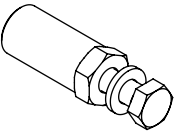
77967.



cover plate
for spacer plate and
stand-off brackets in
the case of external
insulation

210 × 230 × 2 mm

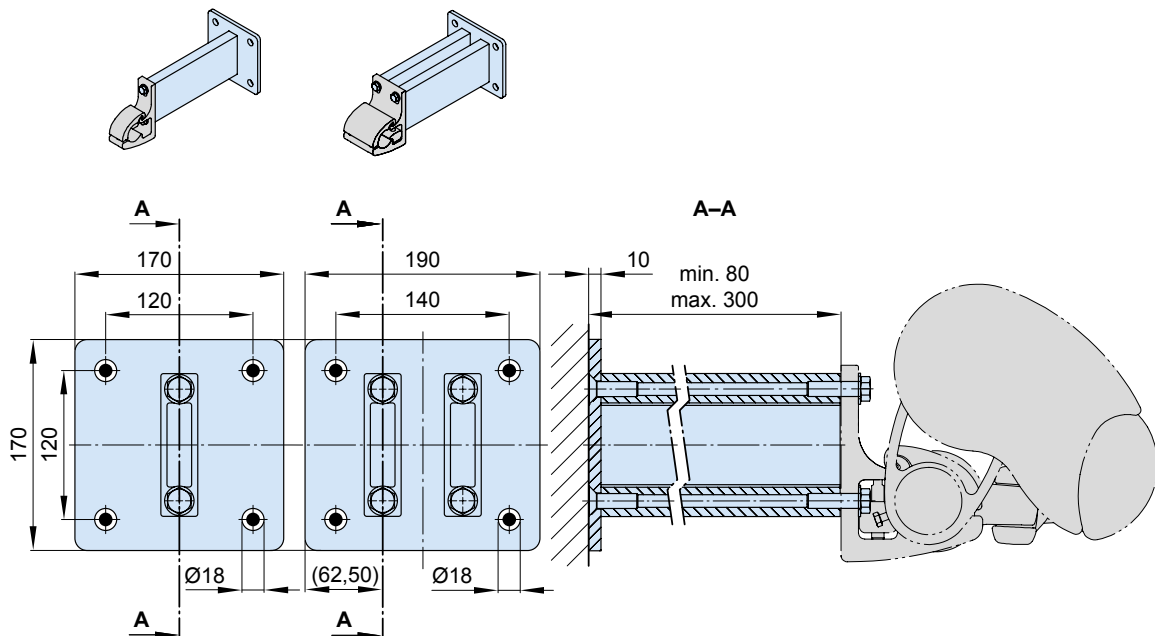
71844.



reduction bolt

pack 10 pcs

M 16 → M 12 | M 16 → M 10 | M 12 → M 10 | M 10 → M 10



dimensions in mm

01
02
03
04
05
06
07
08
09
10
11
12
13
14
15
16
17

01 **Top fixture**

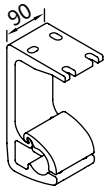
Fixtures, fittings and accessories

02

03

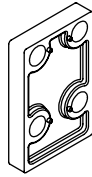
04

05



top fixture bracket
90 mm

70868.



spacer plate for top
fixture
90 x 140 x 20 mm

N.B!
Stack to a max. height
of 200 mm

716311



spacer plate
for top fixture
90 x 140 x 12 mm

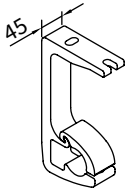
716411

06

07

08

09



top fixture bracket
45 mm

additional bracket for
3 folding arms

71818.



spacer plate for top
fixture
45 x 140 x 20 mm

N.B!
Stack to a max. height
of 200 mm

716261

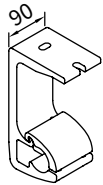


spacer plate for top
fixture
45x 140 x 12 mm

716371

10

11



top fixture bracket
for central fixture

N.B! The pull-out
forces are double those
of top fixture bracket
70868.

70869.

12

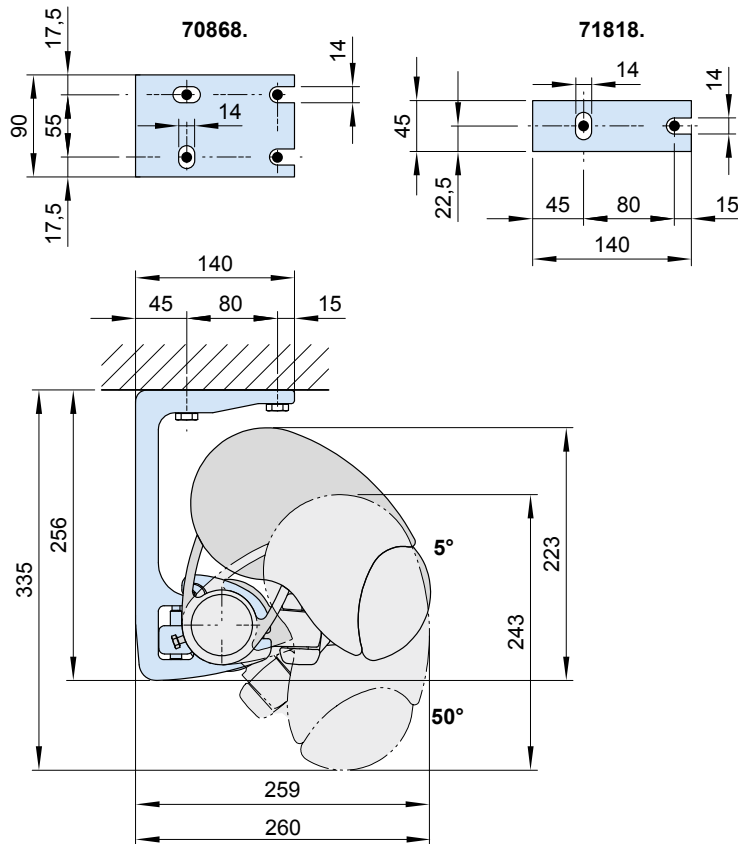
13

14

15

16

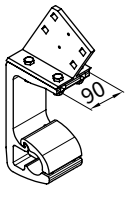
17



dimensions in mm

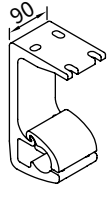
Eaves fixture

Fixtures, fittings and accessories



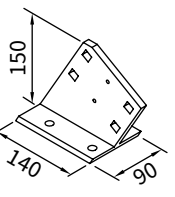
eaves fixture bracket complete
90 mm
height of flat plate 150 mm

70871.



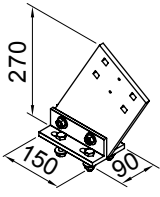
top fixture bracket 90 mm

70868.



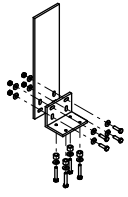
eaves fixture bracket 90 mm
height of flat plate 150 mm

71612.



eaves fixture bracket 90 mm
height of flat plate 270 mm

71659.



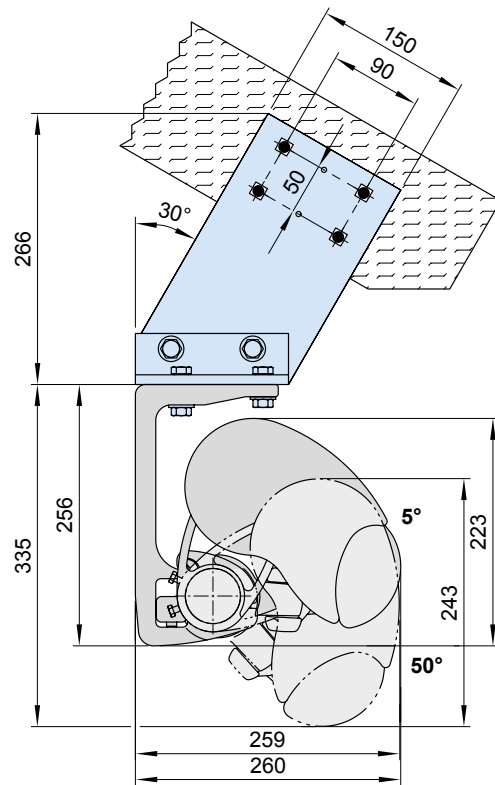
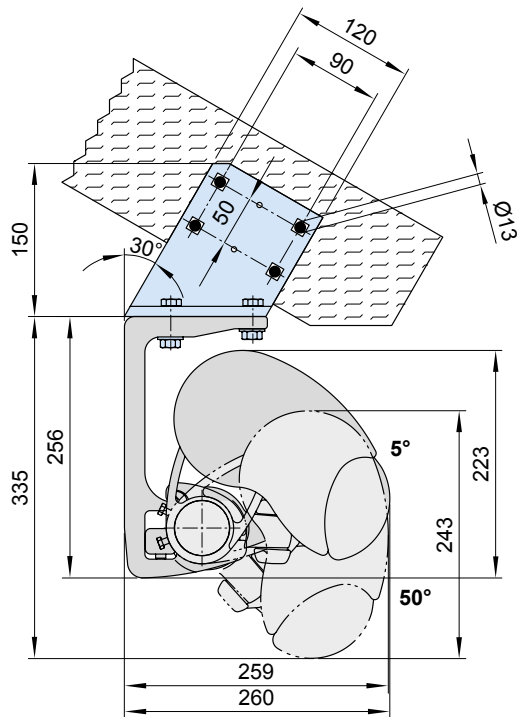
angle and plate for eaves fixture
height of plate 500 mm
machine finish

716620

01
02
03
04
05
06
07
08
09
10
11
12
13
14
15
16
17

With eaves fixture bracket 150 mm (71612.)

With eaves fixture bracket, 270 mm (71659.)

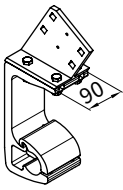


dimensions in mm

01
02
03
04
05
06
07
08
09
10
11
12
13
14
15
16
17

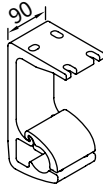
Eaves fixture with additional plate

Fixtures, fittings and accessories



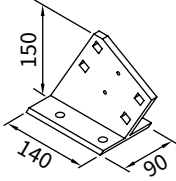
eaves fixture bracket complete
90 mm
height of flat plate
150 mm

70871.



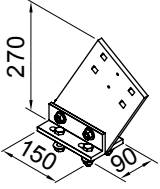
top fixture bracket
90 mm

70868.



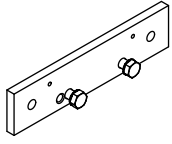
eaves fixture bracket
90 mm
height of flat plate
150 mm

71612.



eaves fixture bracket
90 mm
height of flat plate
270 mm

71659.

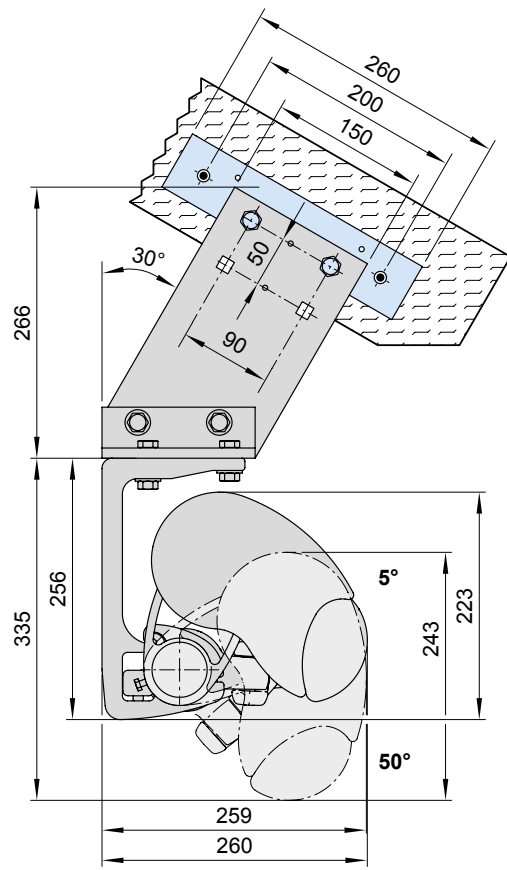
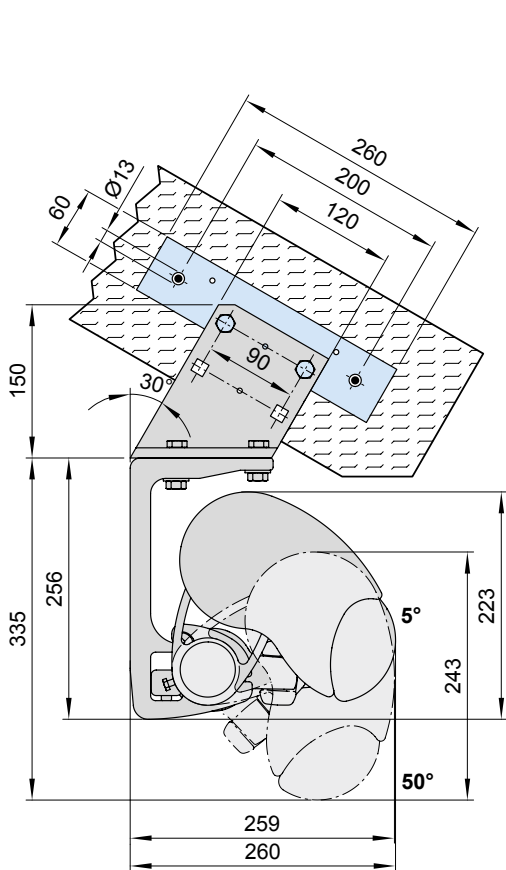


supplementary flat plate
for eaves fixture
260 × 60 × 12 mm

75383.

With eaves fixture bracket 150 mm (71612.)

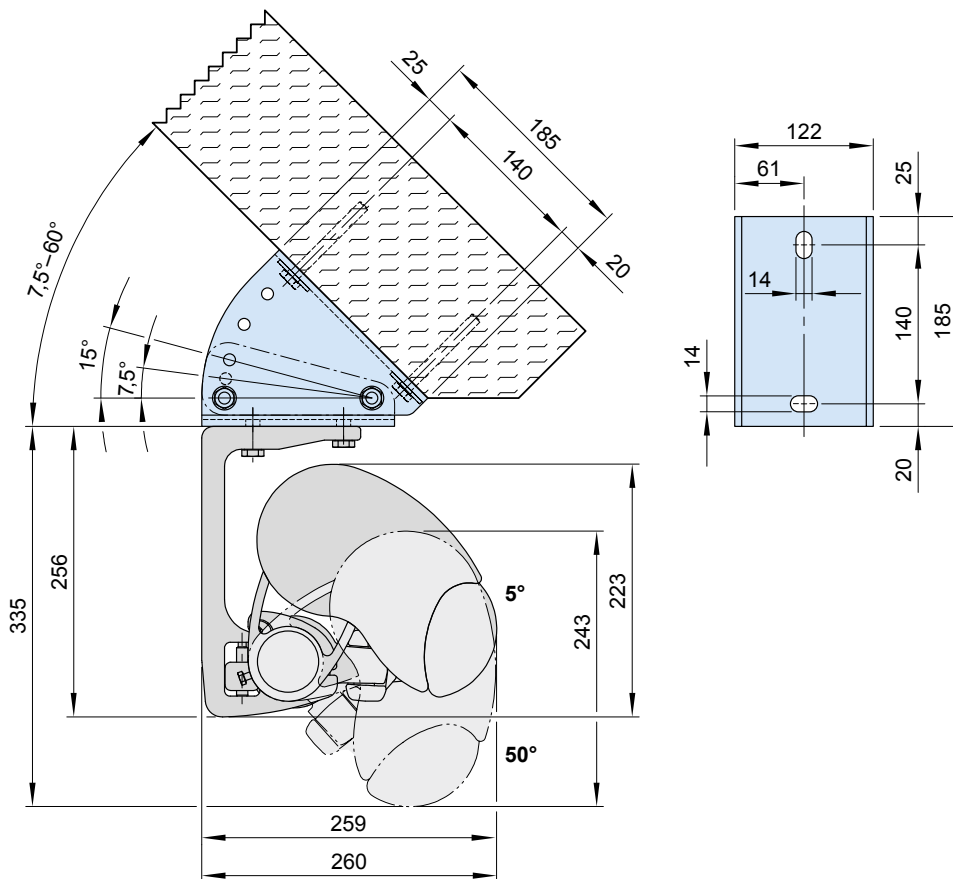
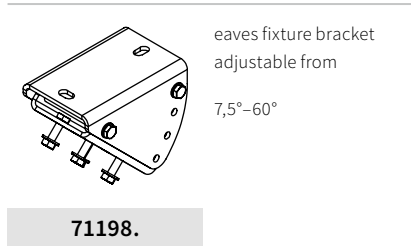
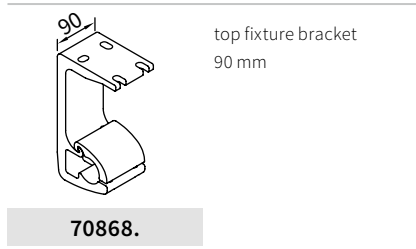
With eaves fixture bracket 270 mm (71659.)



dimensions in mm

Eaves fixture with adjustable eaves fixture bracket

Fixtures, fittings and accessories

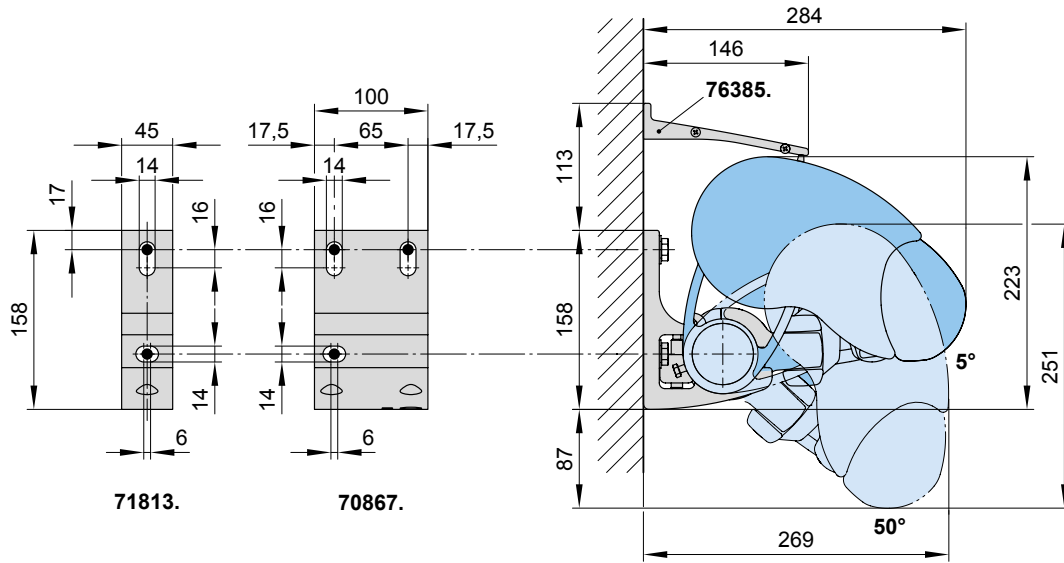


dimensions in mm

01
02
03
04
05
06
07
08
09
10
11
12
13
14
15
16
17

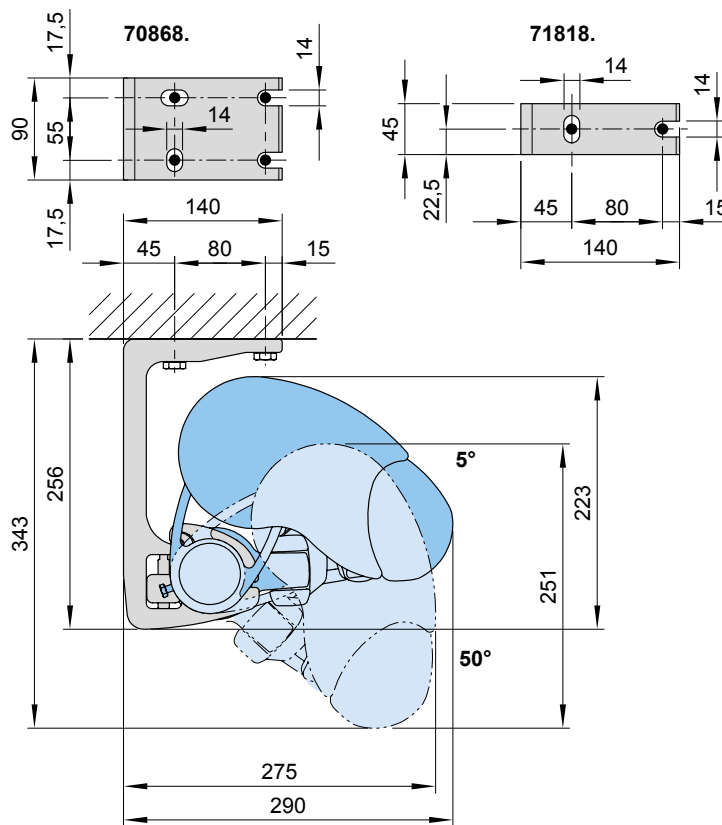
01 **Awning with shadeplus**

02 Face fixture



11 Top fixture

12

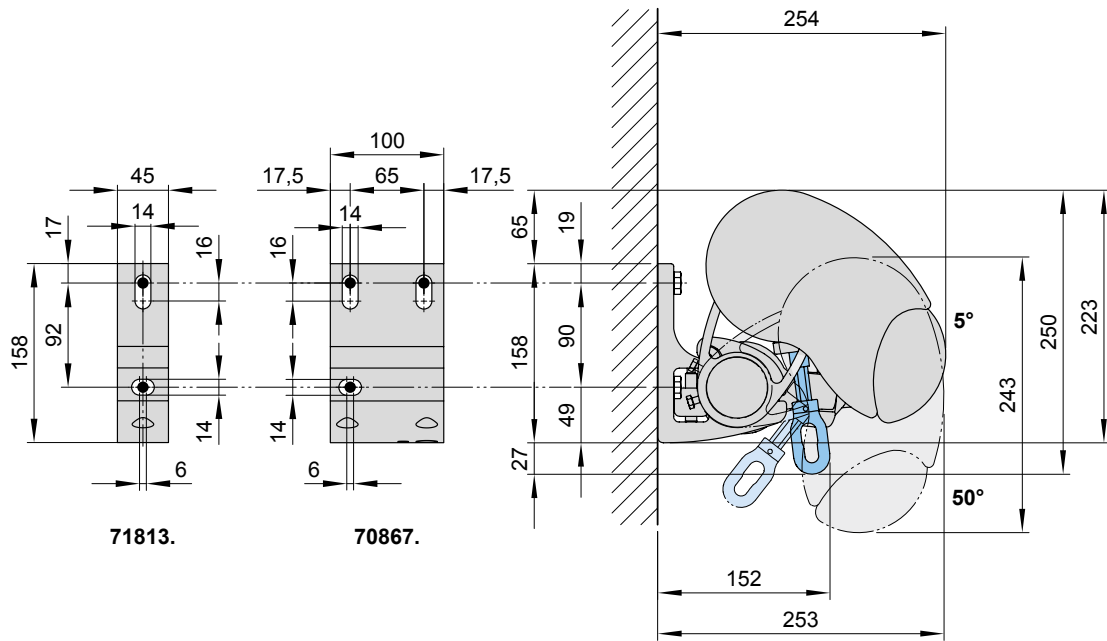


- 70867. = face fixture bracket 100 mm
- 70868. = top fixture bracket 90 mm
- 71813. = face fixture bracket 45 mm
- 71818. = top fixture bracket 45 mm
- 76385. = wall sealing profile (standard width = awning width (M); up to a maximum awning pitch of 25°)

dimensions in mm

Face fixture, manual operation

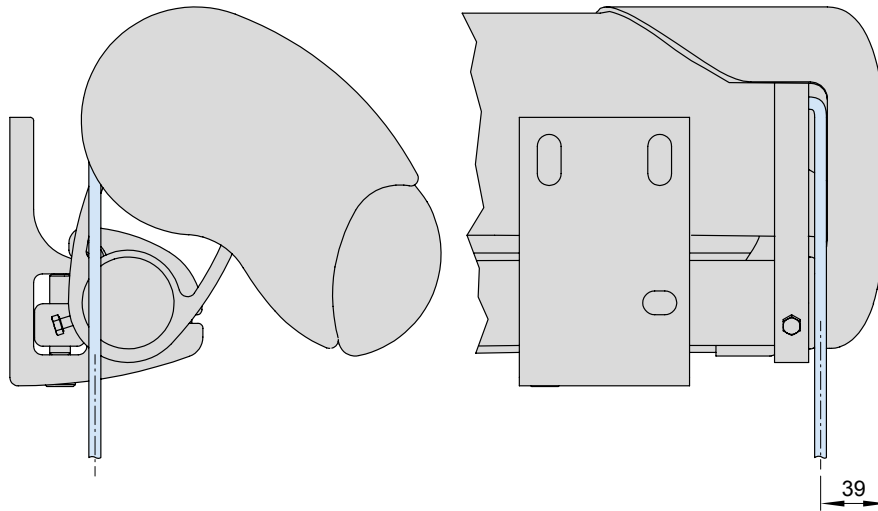
Gearbox eye positions



01
02
03
04
05
06
07
08
09
10
11

12

Motor cable exit point



13
14
15
16
17

dimensions in mm

01 **Face fixture, radio-controlled motor with manual override**

Gearbox eye positions

02

03

04

05

06

07

08

09

10

11

12

13

14

15

16

17

