



Semi-cassette awning

markilux 1600 stretch

The awning with excellent design features and well-thought-out mechanics. Large projections at limited widths – the perfect solution for narrow reveals, balconies and patios.

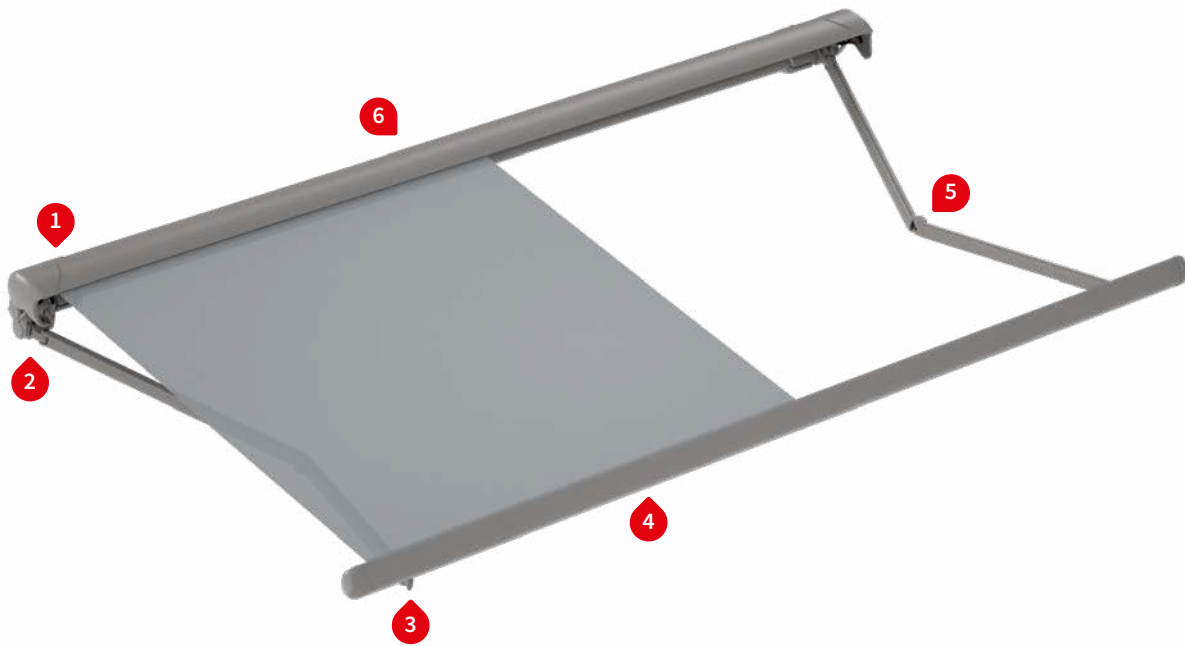


markilux.com

markilux
safe timeless beautiful

Product Characteristics

Wind resistance class 2
Beaufort 5 → 7.5–10.4 m/s → 28–37 km/h → 17–23 mph



12

1 face fixture



1 face fixture, maximum pitch of 25°



1 top fixture



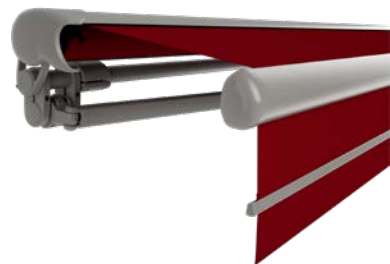
2 folding arm suspended from the torque bar



3 connection of the lower folding arm to the front profile



4 shadeplus¹⁾



5 twin steel-link chain, corrosion protected



5 bionic tendon made of high-tech fibres for optimum power transference¹⁾



6 wall sealing profile, up to a pitch of 25°¹⁾



1) Optional accessories

Product Characteristics

Description

- the folding-arm awning with exceptional, organic design characteristics and pivoting coverboard, ideally suited for shading large areas. The smart engineered arm technology allows shading of areas with more depth than width

Special features

- awning with an extremely torsion-resistant, round torque bar
- the tiered arms make greater projections than widths possible
- during the closing procedure, the coverboard tilts automatically down the given pitch of the awning and together with the front profile encloses the roller tube completely (the awning is open underneath)
- option of a drop valance up to a projection of 350 cm – vertical protection against low-lying sun and inquisitive glances integrated into the front profile, can be operated manually
- coverboard with integrated brush so that debris does not get dragged into the awning as it closes

Dimensions

- cassette in the standard version: depth 275 mm, height 297 mm
- single unit: minimum width 122 cm at the smallest projection of 150 cm, maximum width 247 cm at the largest projection of 400 cm

Roller tube and lateral bearings

- round roller tube Ø 85 mm with keyway, galvanised steel – excellent stability, ensures near perfect cover performance even at the largest widths
- the roller tube support bracket is made of extruded aluminium, powder coated, visually masked by the coverboard end cap

Awning profiles

- extruded aluminium, in façade quality, powder coated
- oval, single-piece coverboard, pre-fitted, enclosing the awning from behind and above
- semi-circular front profile becoming one with the coverboard when retracted
- round torque bar Ø 50 mm, galvanised both inside and out, powder coated

Folding arms

- profiles in extruded aluminium, in façade quality, powder coated
- moving parts made of drop-forged aluminium - the arms are therefore extremely fracture resistant
- pivot bolts in stainless steel run in Teflon-coated bronze bushes - practically maintenance free, virtually silent and extremely hard wearing
- power transference via corrosion-protected twin steel-link chains at the elbow joint, optionally with innovative bionic tendon made of high tensile, high-tech fibres – low in friction, noiseless, impervious to corrosion and UV resistant

End caps

- the coverboard end caps are made of high-quality plastic, powder coated
- the front profile and torque bar end caps are made of high-quality plastic, powder coated or in polished chrome

Fixture brackets

- face fixture, top fixture, eaves fixture
- extruded aluminium, powder coated
- pitch range 5°–25°, infinitely adjustable
- spacer plates, stand-off brackets and other accessories are available

01 **Frame and end cap colours**

markilux frame colours without surcharge

02

traffic white, RAL 9016

metallic aluminium, RAL 9006

grey brown, similar to RAL 8019

03



04

05

06

07

off-white textured finish, 5233 ¹⁾

stone grey metallic, 5215 ¹⁾

anthracite metallic, 5204 ¹⁾

08

09

10

11



12

havana brown textured finish, 5229 ¹⁾

13

14

15

16



17

off-white textured finish, 5233 ¹⁾ front profile and torque bar end cap in polished chrome

stone grey metallic, 5215 ¹⁾ front profile and torque bar end cap in polished chrome

anthracite metallic, 5204 ¹⁾ front profile and torque bar end cap in polished chrome



Combination options – possible in any frame colour.

Non-standard powder-coated finish





Bespoke frame colours incur a surcharge – matt, metallic, finely textured and pearl finishes as well as other colour ranges (DB, Tiger etc.) on request. All frame colours are available at a surcharge with enhanced corrosion protection.

Colours may differ slightly from those depicted in both hue and finish.

¹⁾ textured finish

Dimensions and configuration options

Single unit

Order dimensions	Overall awning width								Minimum width			
	160	185	210	235	260	310	360	410	Motor		Crank handle	
	122 160	161 185	186 210	211 235	236 260	261 310	311 360	361 410				
H	150	3)	2)	—	—	—	—	—	135	122	139	126
	200	3)	2)	2)	—	—	—	—	160	147	164	151
	250	—	3)	—	—	2)	—	—	185	172	189	176
	300	—	—	3)	—	—	2)	—	210	197	214	201
	350	—	—	—	3)	—	—	2)	234	222	239	226
	400 ^{1) 4)}	—	—	—	—	3)	—	—	260	247	264	251

dimensions in cm

1) = drop valance not available

2) = inside dimensions on request


3) = please note the minimum widths!


4) = only available with motor drive

(surcharge)

H = projection

 = 2 folding arms,
2 brackets

 = 2 standard arms

 = 2 bespoke arms
(surcharge)

Operation

	standard	optional
crank handle	✓	—
spring-assisted crank handle	—	✓
hard-wired motor	—	✓
silentec motor (optionally with an external io / RTS receiver)	—	—
radio-controlled motor io, 868 MHz	—	✓
radio-controlled motor RTS, 433 MHz	—	✓
868 MHz radio-controlled motor io with manual override	—	✓

Coupled awnings

not available

Awning cover

	fabric pattern no.	standard	optional
sunvas	300.. - 315..	✓	—
sunsilk	324.. / 325.. / 328.. / 369..	✓	—
sunbow	411.. - 427..	✓	—
smart art	340..	—	✓
perla FR	371.. / 372..	—	✓
valance, height 15 cm		✓	—

Shadeplus¹⁾

	standard	optional
height 210 cm / 180 cm (sunbow)		
max. projection 350 cm		
crank handle	✓	—
hard-wired motor	—	—
radio-controlled motor io, 868MHz	—	—
radio-controlled motor RTS, 433MHz	—	—
fabric pattern sunvas / sunsilk / sunbow / transolair		

1) Only available in plain seamless fabrics (oversized, fabric width >120 cm) or in plains with a horizontal joint (fabric width 120 cm).

01
02
03
04
05
06
07
08
09
10
11
12
13
14
15
16
17

Optional accessories

shadeplus, manual
folding-arm technology with bionic tendon
wall sealing profile (effective up to a maximum awning pitch of 25°); coverboard when fitted to the markilux panel, in one piece
infrared heater 2500 W
infrared heater 2500 W with integrated radio-controlled receiver 868 MHz io
LED spotline – light bar 110 × 70 mm with 5 W LED spotlights, 180 cm / 3 spots or 300 cm / 5 spots
LED spotline io – light bar 110 × 70 mm with 5 W LED spotlight-integrated dimmable radio-controlled receiver, width 180 cm / 3 spots or 300 cm / 5 spots
automatic controls (light, wind, rain)

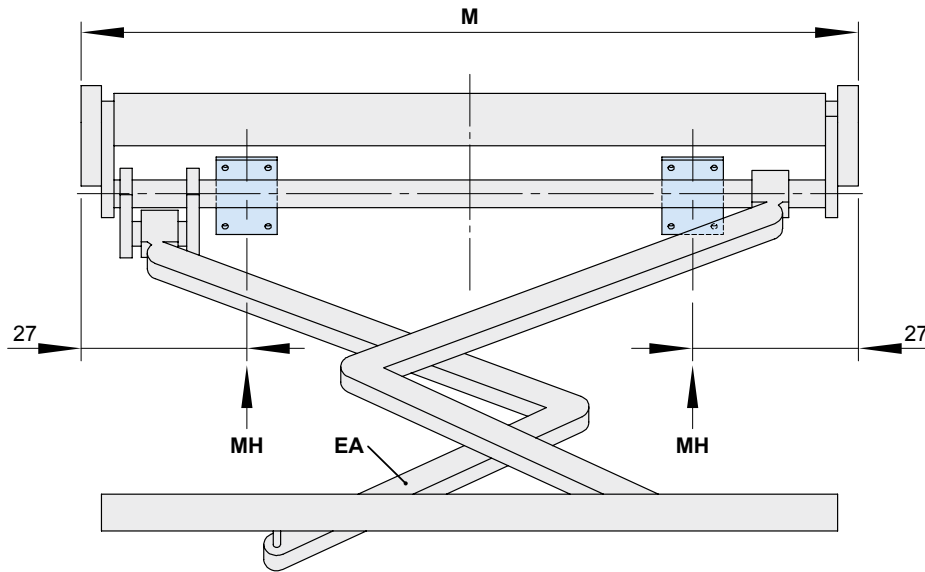
N.B. Important background information can be found in the chapter “Optional Accessories”

Fixture options

wall bracket 100 mm	70867.
fixture plate A 430 × 160 × 12 mm	75326.
fixture plate B 300 × 400 × 12 mm	75325.
markilux panel 250 × 230 × 49 mm	76308.
markilux panel continuous	701104
stand-off bracket 80–300 mm	77968.
top fixture bracket 90mm	70868.
eaves fixture bracket 90 mm plate 150 mm	71612.
eaves fixture bracket 90 mm plate 270 mm	71659.
angle and plate for eaves fixture machine finish aluminium, plate 500 mm	716620
spreader plate 260 × 60 × 12 mm for eaves fixture bracket	75383.
eaves fixture bracket adjustable from 7,5°–60°	71198.

Bracket fixture range

Awning with 2 folding arms



dimensions in mm

		Awning width							
		160	185	210	235	260	310	360	410
Order dimensions		122	161	186	211	236	261	311	361
		160	185	210	235	260	310	360	410
		No. of brackets No. of fixing points							
W	BHT 10	2 6							
BP		A 2 16 B 2 8							
DE	9	2 8							
PA		2 8							
DA	9	2 8							

dimensions in cm

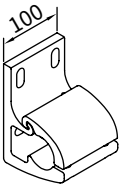
The **pull-out forces** necessary for determining the correct fixing materials necessary to meet wind resistance class 2 (Beaufort 5) can be found in the password-protected dealer area of the pro.markilux.com website under "Pull-out Forces".

- BHT** = bracket width
- BP** = spreader plate **A** or **B**, to be positioned behind the folding arm
- DA** = eaves fixture brackets
- DE** = top fixture brackets
- EA** = deep folding-arm (opposite of the drive side)
- M** = **order width** = awning width
- MH** = bracket centre
- PA** = markilux panel, fixture profile, width 250 mm
- W** = face fixture brackets

01
02
03
04
05
06
07
08
09
10
11
12
13
14
15
16
17

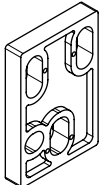
Face fixture

Fixtures, fittings and accessories



face fixture bracket
100 mm

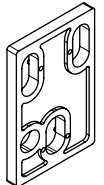
70867.



spacer plate
100 × 150 × 20 mm

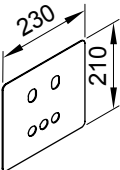
N.B.!
Stack to a max. height
of 200 mm

758831



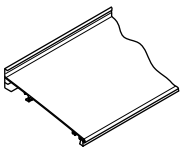
spacer plate
100 × 150 × 12 mm

758841



cover plate for spacer
plate and stand-off
brackets in the case of
external insulation
230 × 210 × 2 mm

71843.



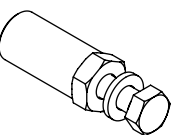
wall sealing profile
incl. brush seal
by the metre

76385. and 704241.



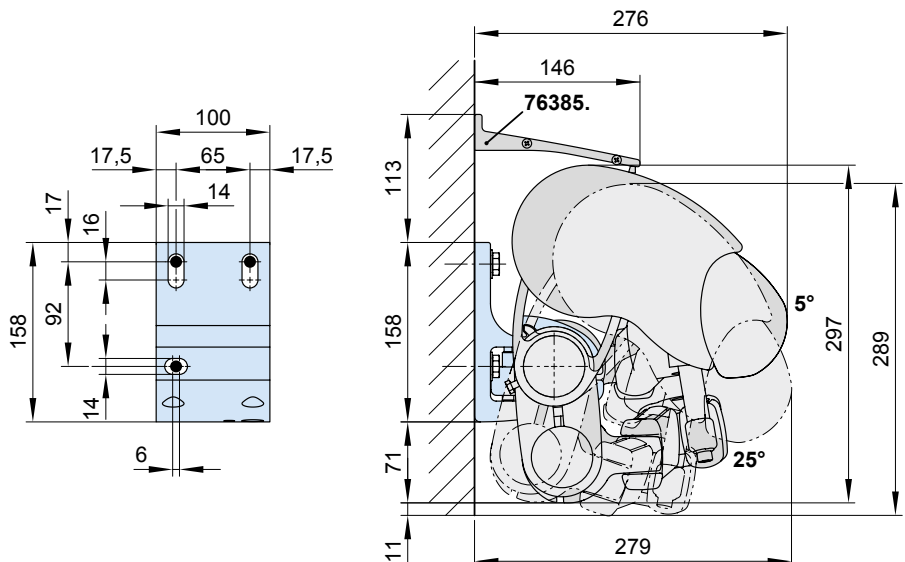
side plate
for wall sealing profile
including 2 pan-head
self-tapping screws

76386. and 2 × 735611



reduction bolt
pack 10 pcs

M 16 → M 12 | M 16 → M 10 | M 12 → M 10 | M 10 → M 10

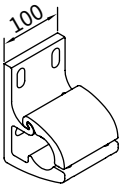


76385. = wall sealing profile (standard width = awning width (M); up to a maximum awning pitch of 25°)

dimensions in mm

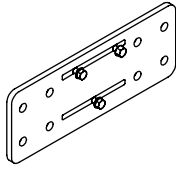
Face fixture with spreader plate A

Fixtures, fittings and accessories



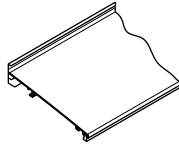
face fixture bracket
100 mm

70867.



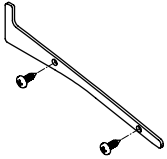
spreader plate A face
fixture
430 × 160 × 12 mm

75326.



wall sealing profile
incl. brush seal
by the metre

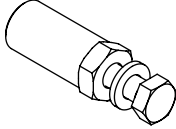
76385. and 704241.



side plate
for wall sealing profile

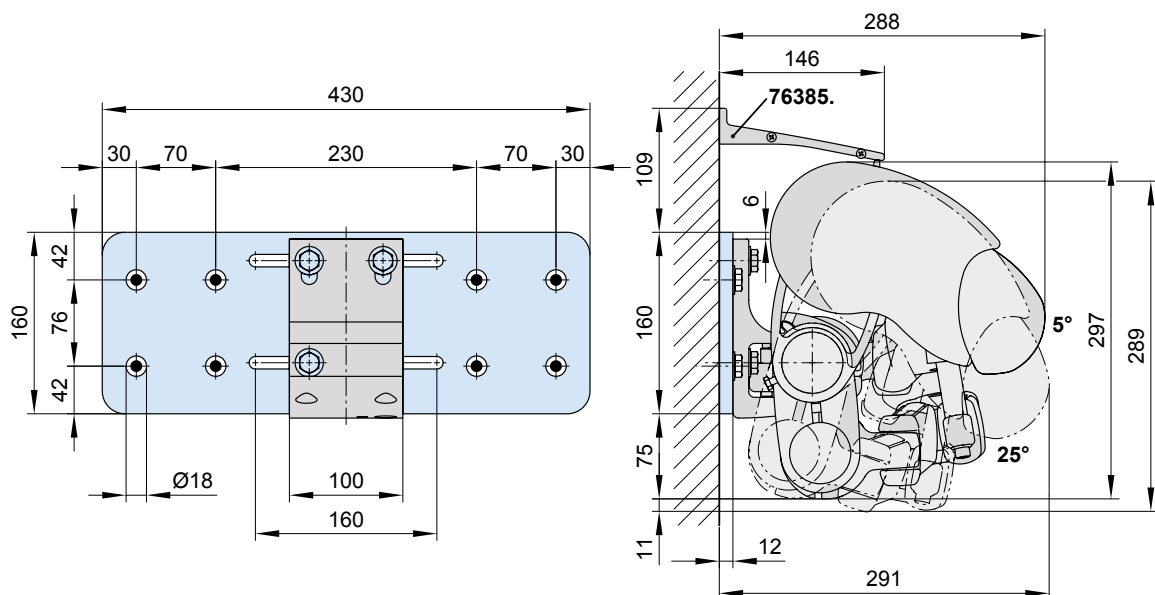
including 2 pan-head
self-tapping screws

76386. and 2 × 735611



reduction bolt
pack 10 pcs

M 16 → M 12 | M 16 → M 10 | M 12 → M 10 | M 10 → M 10



76385. = wall sealing profile (standard width = awning width (M); up to a maximum awning pitch of 25°)

dimensions in mm

01
02
03
04
05
06
07
08
09
10
11
12
13
14
15
16
17

01 **Face fixture with spreader plate B**

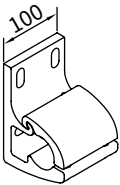
Fixtures, fittings and accessories

02

03

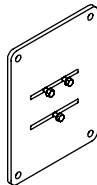
04

05



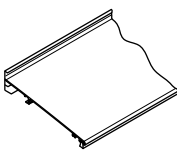
face fixture bracket
100 mm

70867.



spreader plate B face
fixture
300 x 400 x 12 mm

75325.



wall sealing profile
incl. brush seal
by the metre

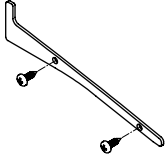
76385. and 704241.

06

07

08

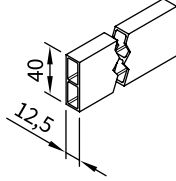
09



side plate
for wall sealing profile

including 2 pan-head
self-tapping screws

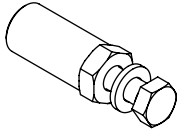
76386. and 2 x 735611



stand-off strip
for wall sealing

by the metre

751971



reduction bolt

pack 10 pcs

M 16 → M 12 | M 16 → M 10 | M 12 → M 10 | M 10 → M 10

10

11

12

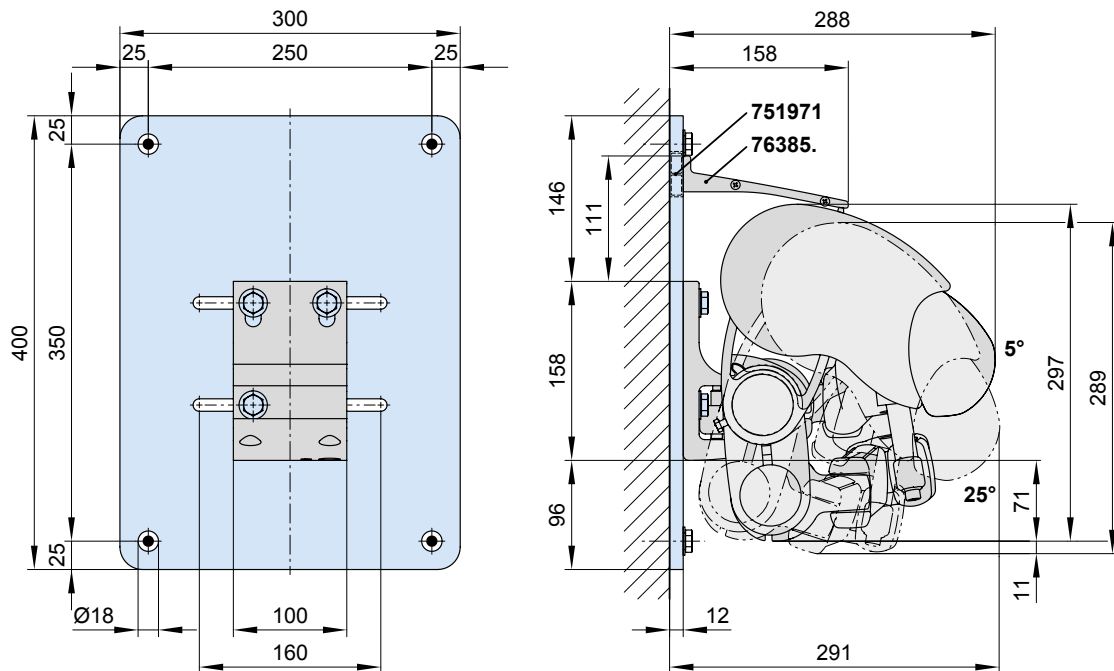
13

14

15

16

17



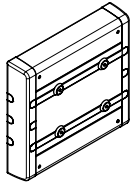
751971 = stand-off strip for wall sealing profile

76385. = wall sealing profile (standard width = awning width (M); up to a maximum awning pitch of 25°)

dimensions in mm

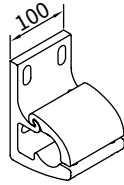
Face fixture using the markilux panel 250 mm wide

Fixtures, fittings and accessories



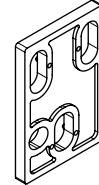
markilux panel
250 × 230 × 49 mm
with decorative profiles
and end caps

76308.



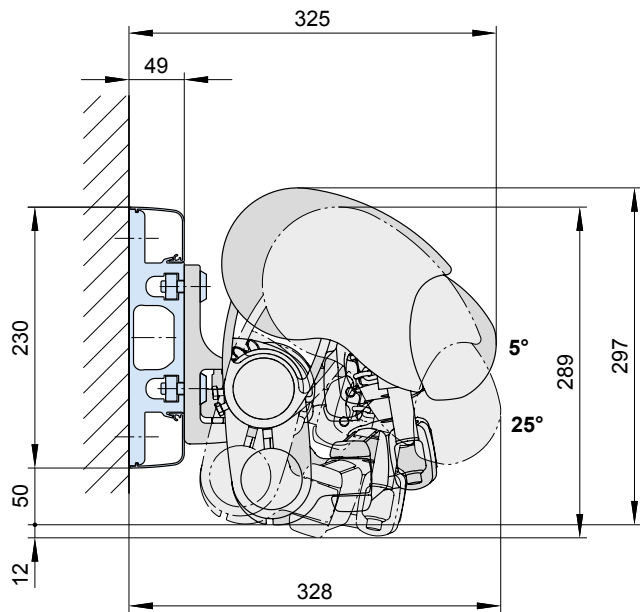
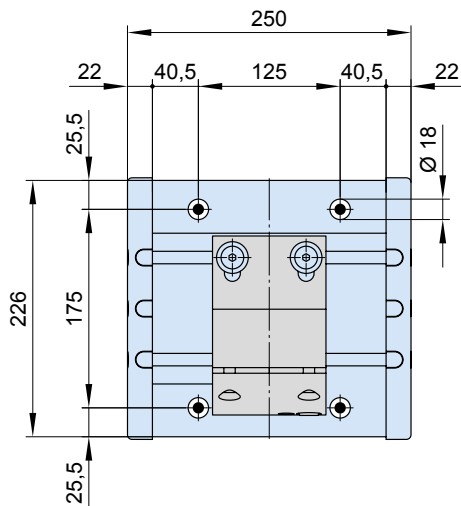
face fixture bracket
100 mm

70867.



spacer plate
100 × 150 × 12 mm

758841

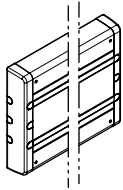


dimensions in mm

01
02
03
04
05
06
07
08
09
10
11
12
13
14
15
16
17

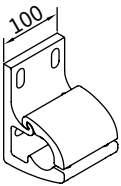
Face fixture with markilux panel continuous

Fixtures, fittings and accessories



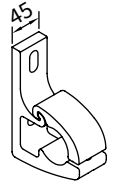
markilux panel continuous
with decorative profiles and end caps

701104



face fixture bracket
100 mm

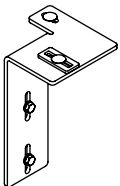
70867.



face fixture bracket
45 mm

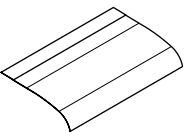
for installation in the centre, depends on the width

71813.



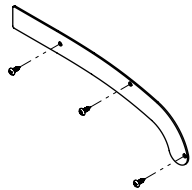
bracket coverboard

76390.



coverboard
incl. additional profile and rubber sealing strip

72015., 72019., 75970.



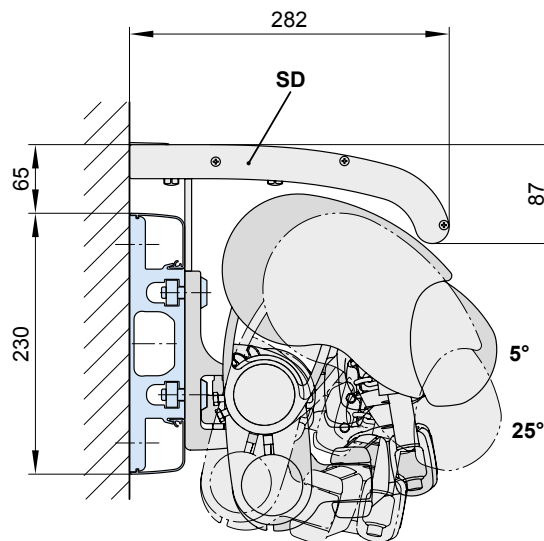
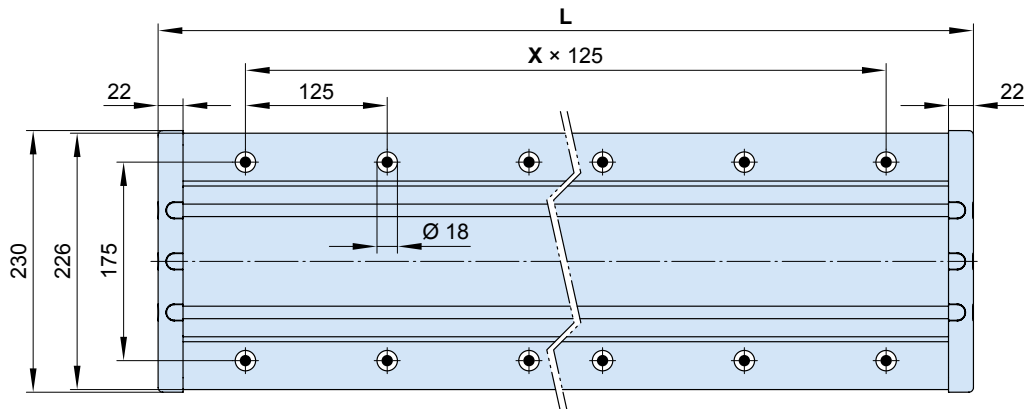
side cover profile coverboard
282 × 87 × 2 mm

Including 3 pan-head self-tapping screws for wall sealing profile

76469. and 3 × 735611

As a **continuous fixture profile**, the markilux panel will always be supplied to order on the basis of a technical drawing prepared in the factory in accordance with the awning specification. The technical drawing shows the fixture points and pull-out forces and must be approved in writing.

12

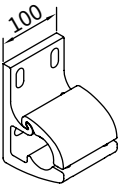


- L** = individual width, max. 7000 mm
- SD** = coverboard
- x** = fixing point separation, **by way of example**

dimensions in mm

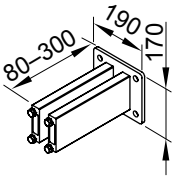
Face fixture with stand-off bracket

Fixtures, fittings and accessories



face fixture bracket
100 mm

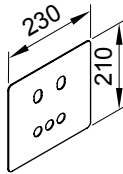
70867.



stand-off bracket
for face fixture bracket
70867.

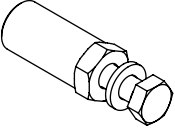
80-300 mm
incl. insulating element

77968.



cover plate for spacer
plate and stand-off
brackets in the case of
external insulation
230 × 210 × 2 mm

71843.

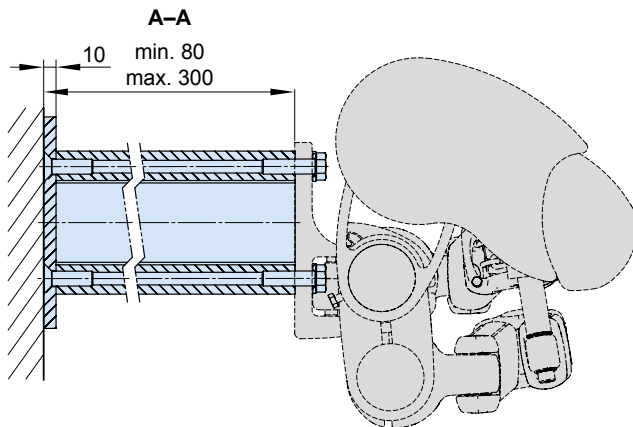
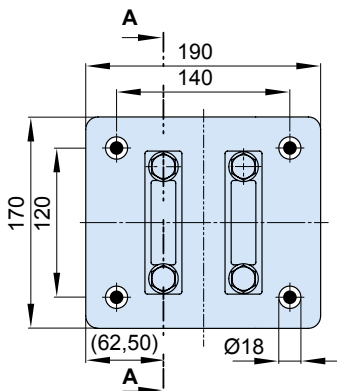
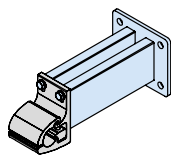


reduction bolt

pack 10 pcs

M 16 → M 12 | M 16 → M 10 | M 12 → M 10 | M 10 → M 10

- 01
- 02
- 03
- 04
- 05
- 06
- 07
- 08
- 09
- 10
- 11
- 12**
- 13
- 14
- 15
- 16
- 17

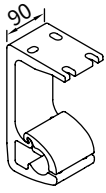


dimensions in mm

01
02
03
04
05
06
07
08
09
10
11

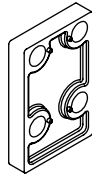
Top fixture

Fixtures, fittings and accessories



top fixture bracket
90 mm

70868.



spacer plate for top
fixture
90 × 140 × 20 mm

N.B!
Stack to a max. height
of 200 mm

716311

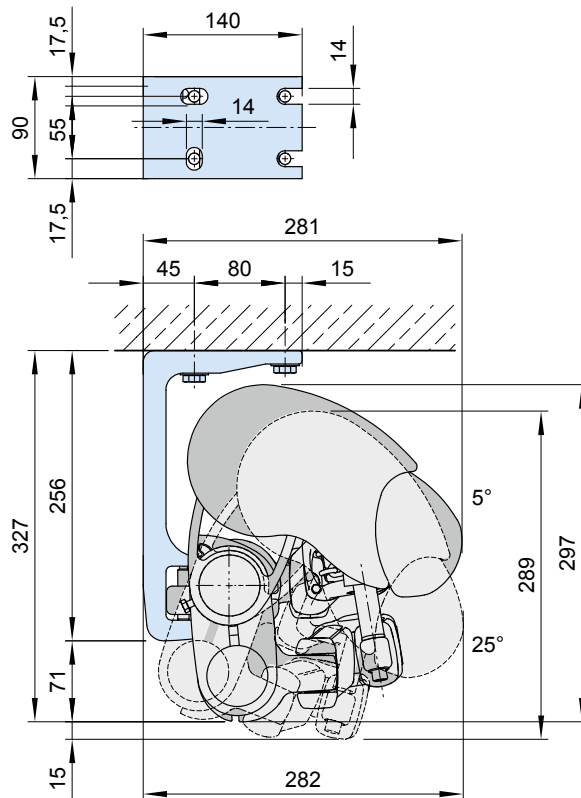


spacer plate
for top fixture
90 × 140 × 12 mm

716411

12

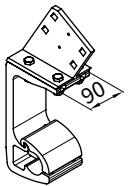
13
14
15
16
17



dimensions in mm

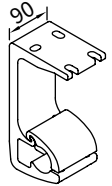
Eaves fixture

Fixtures, fittings and accessories



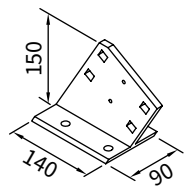
eaves fixture bracket complete
90 mm
height of flat plate
150 mm

70871.



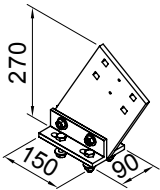
top fixture bracket
90 mm

70868.



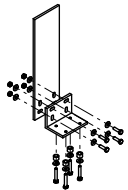
eaves fixture bracket
90 mm
height of flat plate
150 mm

71612.



eaves fixture bracket
90 mm
height of flat plate
270 mm

71659.

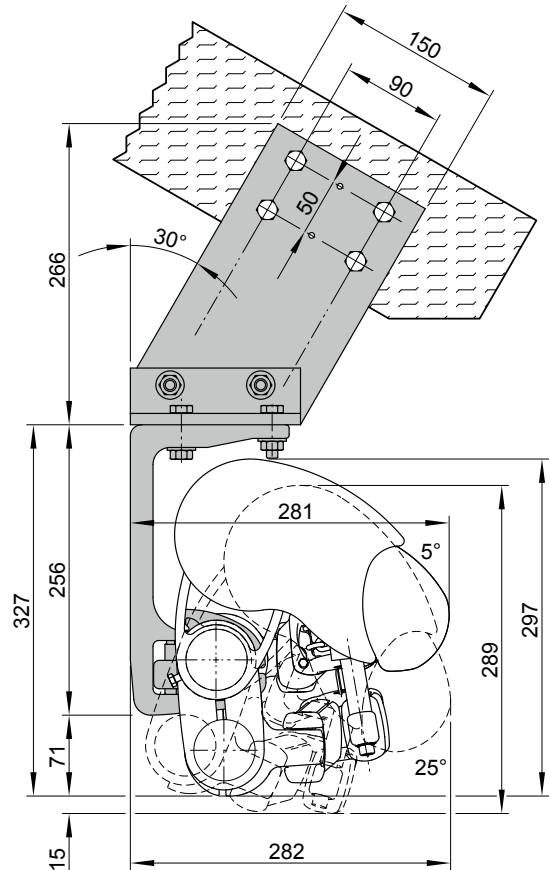
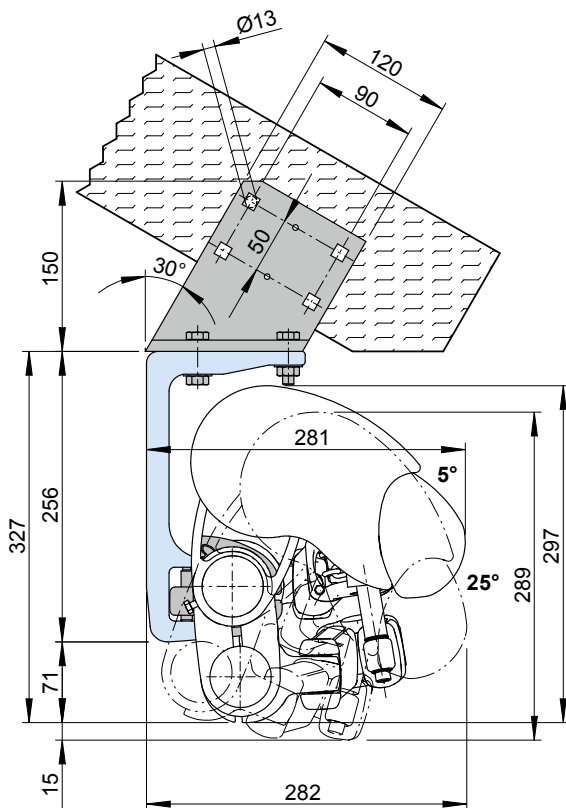


angle and plate for
eaves fixture
height of plate 500 mm
machine finish

716620

With eaves fixture bracket 150 mm (71612.)

With eaves fixture bracket 270 mm (71659.)

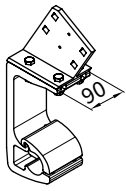


dimensions in mm

01
02
03
04
05
06
07
08
09
10
11
12
13
14
15
16
17

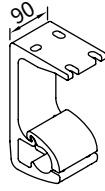
Eaves fixture with additional plate

Fixtures, fittings and accessories



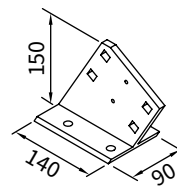
eaves fixture bracket complete
90 mm
height of flat plate
150 mm

70871.



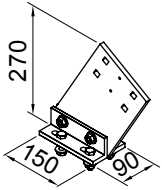
top fixture bracket
90 mm

70868.



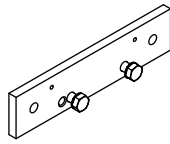
eaves fixture bracket
90 mm
height of flat plate
150 mm

71612.



eaves fixture bracket
90 mm
height of flat plate
270 mm

71659.



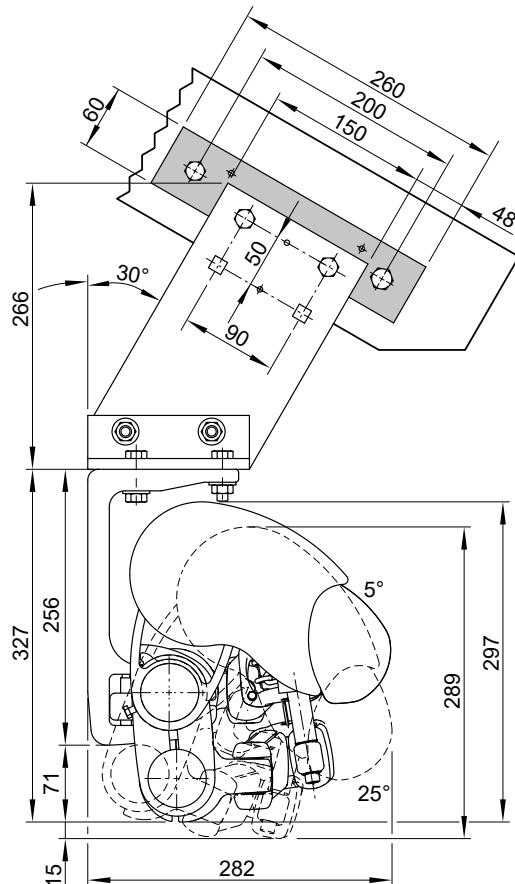
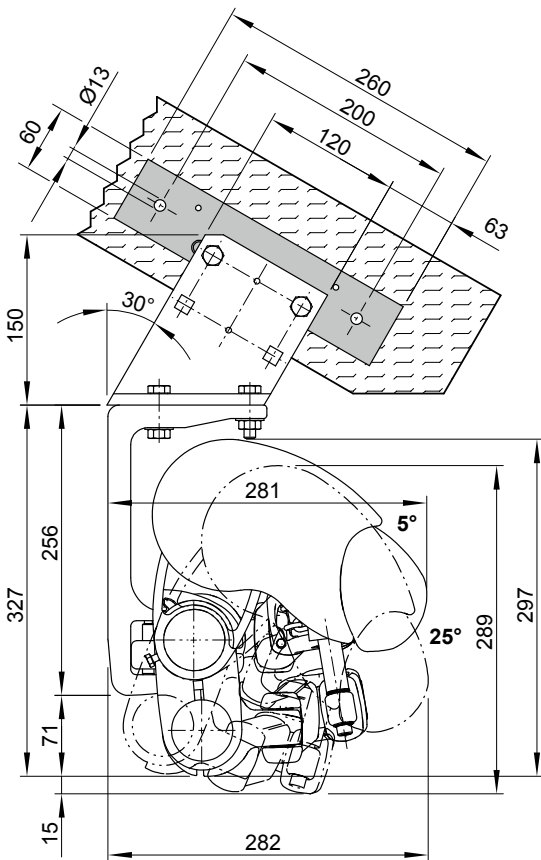
supplementary flat plate
for eaves fixture
260 × 60 × 12 mm

75383.

12

With eaves fixture bracket 150 mm (71612.)

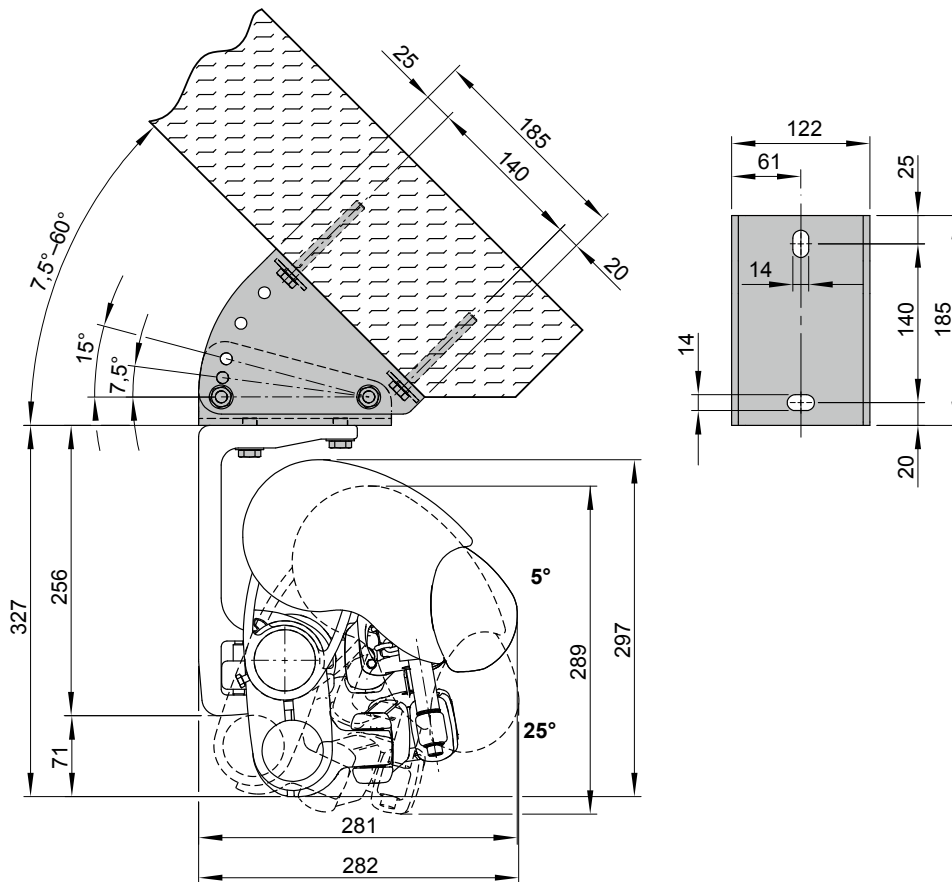
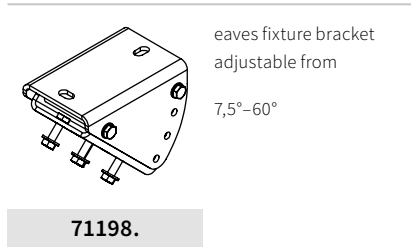
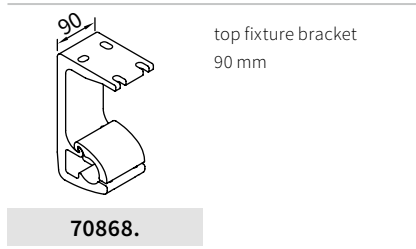
With eaves fixture bracket 270 mm (71659.)



dimensions in mm

Eaves fixture with adjustable eaves fixture bracket

Fixtures, fittings and accessories

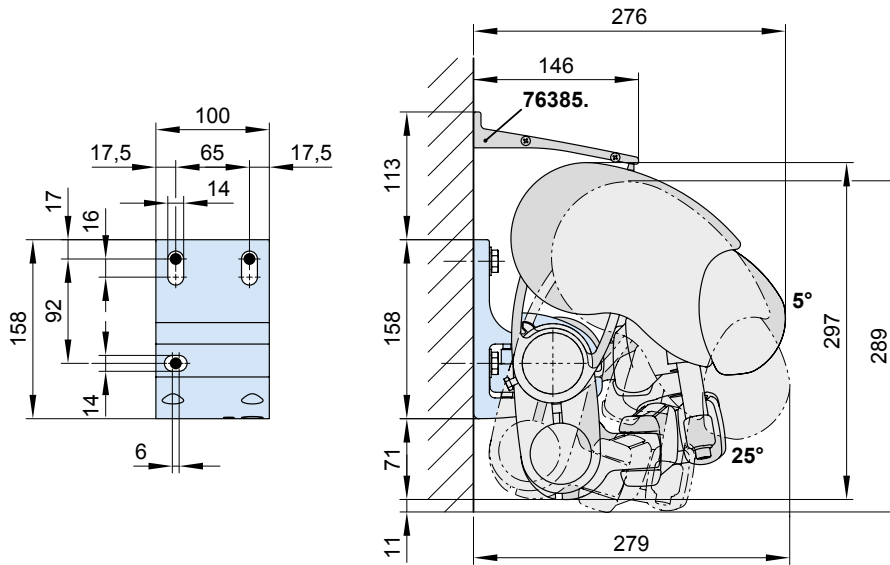


dimensions in mm

01
02
03
04
05
06
07
08
09
10
11
12
13
14
15
16
17

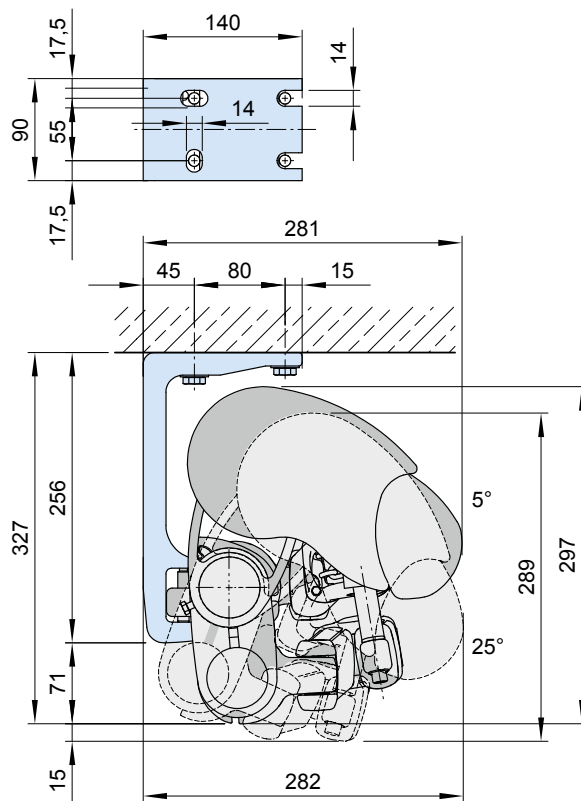
01 **Awning with shadeplus**

Face fixture



12

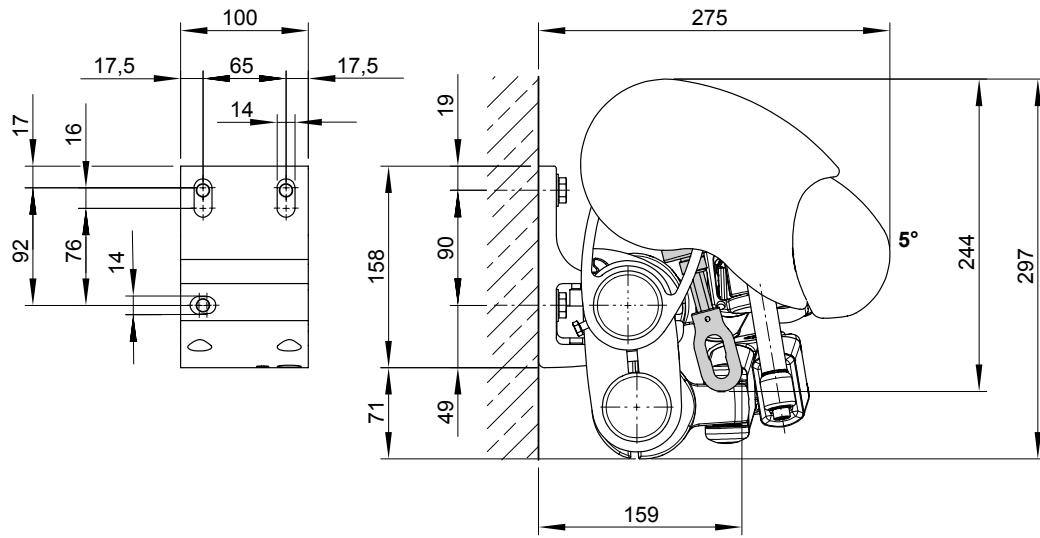
Top fixture



76385. = Wall sealing profile (standard width = awning width (M); up to a maximum awning pitch of 25°)

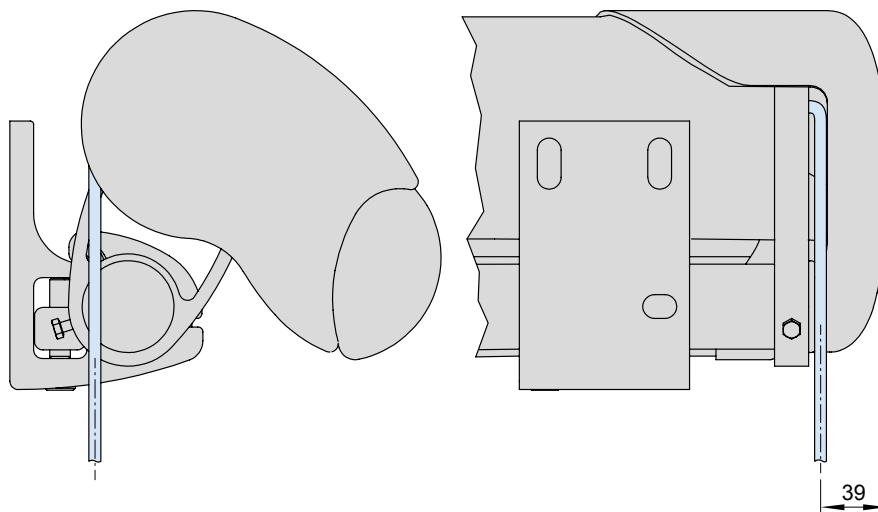
dimensions in mm

Face fixture, manual operation



- 01
- 02
- 03
- 04
- 05
- 06
- 07
- 08
- 09
- 10
- 11
- 12**
- 13
- 14
- 15
- 16
- 17

Motor cable exit point



dimensions in mm

01 **Face fixture, radio-controlled motor with manual override**

Gearbox eye positions

02

03

04

05

06

07

08

09

10

11

12

13

14

15

16

17

