



Cassette awning

## markilux 1710

The classic torque bar awning with a designer look.

The droplet-shaped cover cassette lends it a harmonious appearance.



German  
Design Award  
NOMINEE 2014



reddot design award  
winner 2012

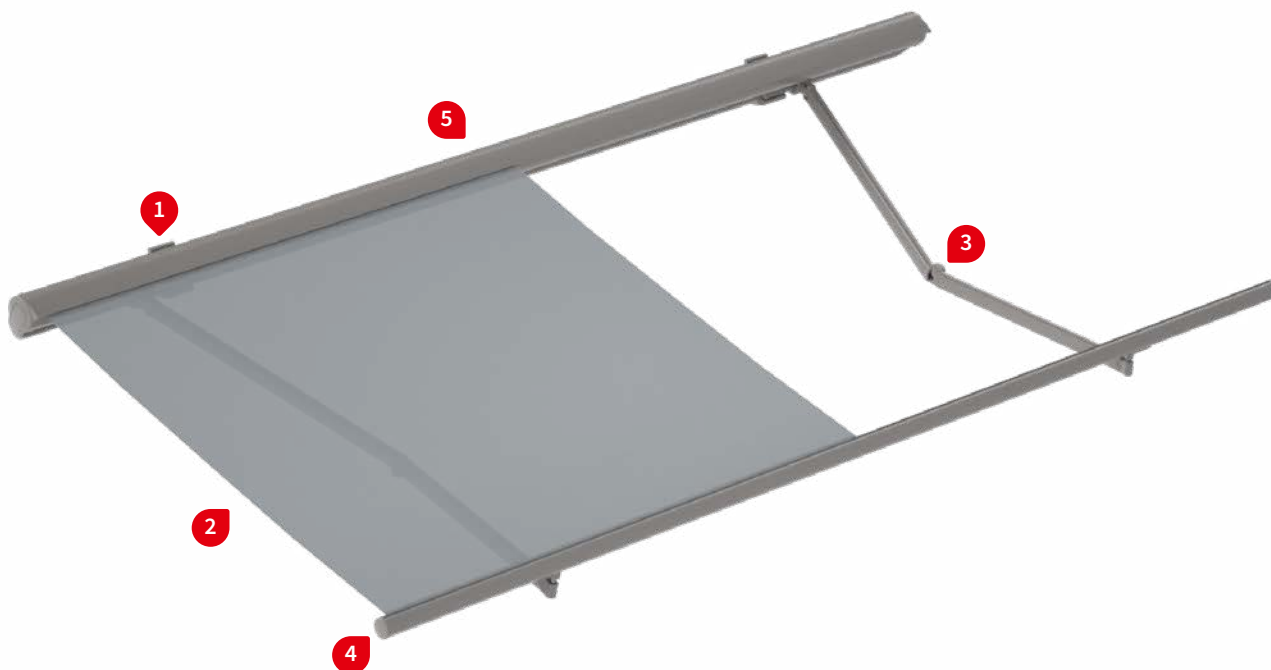
[markilux.com](http://markilux.com)

**markilux**  
safe timeless beautiful

# Product Characteristics

Wind resistance class 2  
Beaufort 5 → 7.5–10.4 m/s → 28–37 km/h → 17–23 mph

01  
02  
03  
04  
05  
06  
07  
08  
09  
10



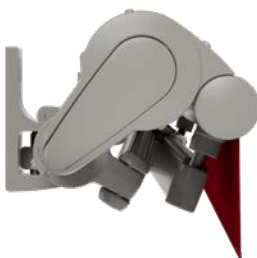
11

12  
13  
14  
15  
16  
17

1 face fixture



1 face fixture, maximum pitch of 25°



1 top fixture



1 manual operation



2 during extension



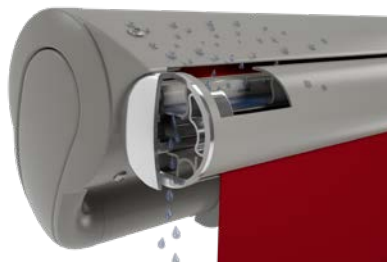
3 bionic tendon made of high-tech fibres for optimum power transference



3 LED Lines in the folding arms <sup>1)</sup>



4 unique water drainage system and hidden cover pocket in the front profile



5 wall sealing profile, up to a pitch of 25° <sup>1)</sup>



1) Optional accessories

## Product Characteristics

### Description

- extremely robust construction, ideally suited for shading large areas

### Special features

- awning with a highly torsion-resistant, round torque bar which gives a certain degree of flexibility when choosing the fixture points
- round, fluid transition from the round torque bar to the round cassette
- optional wireless io-dimmable LED Line lighting in the folding arms which provides uniform illumination under the awning
- cover cassette with arms in front, covered and protected by the valance when closed – even when fully extended, the roller tube is completely protected

### Dimensions

- cassette in the standard version: depth 236 mm, height 217 mm
- single unit: minimum width 167 cm at the smallest projection of 150 cm, maximum width 700 cm at the largest projection of 350 cm
- also available as a coupled unit

### roller tube and lateral bearings

- round roller tube Ø 85 mm with keyway, galvanised steel – excellent stability, ensures near perfect cover performance even at the largest widths
- roller support bracket made of die-cast aluminium, powder-coated, with integrated, concealed cable duct when motor driven

### Awning profiles

- extruded aluminium, in façade quality, powder coated
- cassette in two parts
- circular front profile with integrated gutter
- round torque bar Ø 50 mm, galvanised both inside and out, powder coated

### Folding arms

- profiles in extruded aluminium, in façade quality, powder coated
- moving parts made of drop-forged aluminium – the arms are therefore extremely fracture resistant
- pivot bolts in stainless steel run in Teflon-coated bronze bushes - practically maintenance free, virtually silent and extremely hard wearing
- power transference via the innovative bionic tendon at the elbow joint, made of high tensile, hightech fibres – low in friction, noiseless, impervious to corrosion and UV resistant, independently tested by the Fraunhofer Institute
- Articulated arms with LED Line option as standard with markilux Bionic tendon at the elbow joint

### End caps

- the roller support bracket insert sections are made of high-quality plastic, powder coated or in a polished chrome finish
- the front profile end caps are made of high-quality plastic, powder-coated or in a polished chrome finish, with water drainage spouts

### Fixture brackets

- face fixture, top fixture, eaves fixture
- extruded aluminium, powder coated
- pitch range 5°–25°, infinitely adjustable
- spacer plates, stand-off brackets and other accessories are available

01 **Frame and end cap colours**

markilux frame colours without surcharge

02 traffic white, RAL 9016

metallic aluminium, RAL 9006

grey brown, similar to RAL 8019

07 off-white textured finish, 5233 <sup>1)</sup>stone grey metallic, 5215 <sup>1)</sup>anthracite metallic, 5204 <sup>1)</sup>**11**12 havana brown textured finish, 5229 <sup>1)</sup>16 off-white textured finish, 5233 <sup>1)</sup>  
17 insert and front profile end cap in polished chromestone grey metallic, 5215 <sup>1)</sup>  
insert and front profile end cap in polished chromeanthracite metallic, 5204 <sup>1)</sup>  
insert and front profile end cap in polished chrome

Combination options – possible in any frame colour.

**Non-standard powder-coated finish**






Bespoke frame colours incur a surcharge – matt, metallic, finely textured and pearl finishes as well as other colour ranges (DB, Tiger etc.) on request. All frame colours are available at a surcharge with enhanced corrosion protection.

Colours may differ slightly from those depicted in both hue and finish.

1) textured finish

## Dimensions and configuration options

### Single unit

		Awning width										Minimum width				
		250	300	350	400	450	500	550	600	650	700 <sup>1)</sup>	Motor			Crank handle	
Order dimensions		167	251	301	351	401	451	501	551	601	651					
		250	300	350	400	450	500	550	600	650	700					
H	150	2)						3)	3)			180	167	—	182	169
	200	2)						3)	3)			230	217	—	232	219
	250	—	2)					3)				280	267	—	282	269
	300	—	—	2)								330	317	—	332	319
	350	—	—	—	2)						1)	380	367	618	382	369

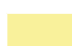
dimensions in cm


1) = only available with motor drive (surcharge)


2) = please note the minimum widths!


3) = + 1 cassette support bracket


H = projection


 = 2 folding arms  
2 brackets

 = 2 folding arms, 3 brackets  
1 cassette support bracket

 = 3 folding arms, 4 brackets  
2 cassette support brackets

 = 2 standard arms

 = 2 bespoke arms  
(surcharge)

 = 3 standard arms

### Operation

	standard	optional
crank handle	✓	—
spring-assisted crank handle	—	✓
hard-wired motor	—	✓
silentec motor (optionally with an external io / RTS receiver <sup>1)</sup> )	—	—
radio-controlled motor io, 868 MHz	—	✓
radio-controlled motor RTS, 433 MHz	—	✓
868 MHz radio-controlled motor io with manual override <sup>1)</sup>	—	—

1) For awnings with a maximum of 2 arms

### Coupled Awning (only with motor drive)<sup>1)</sup>

2 fields, 1 motor, maximum width 1390 cm
maximum projection 350 cm
junction roller (one-piece cover not available)

1) N.B! – Important background information can be found in the chapter “General Information”, in the section “Coupled Awnings”

### Awning cover

fabric pattern no.	standard	optional	
sunvas	300.. – 315..	✓	—
sunsilk	324.. / 325.. / 328.. / 369..	✓	—
sunbow <sup>1)</sup>	411.. - 427..	✓	—
smart art	340..	—	✓
perla FR	371.. / 372..	—	✓
valance, height 20 cm		✓	—

1) up to max. 300 cm projection available

### Shadeplus

not available

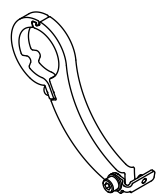
**Optional accessories**

wall sealing profile (effective up to a maximum awning pitch of 25°); Coverboard when fitted to the markilux panel, in one piece
infrared heater 2500 W
infrared heater 2500 W with integrated radio-controlled receiver 868 MHz Funk io
LED-spotline – light bar 110 × 70 mm with 5 W LED-spotlights, 180 cm / 3 spots or 300 cm / 5 spots
LED spotline io – light bar 110 × 70 mm with 5 W LED spotlights with integrated dimmable radio-controlled receiver, width 180 cm / 3 spots or 300 cm / 5 spots
LED Lines in the folding arms
automatic controls (light, wind, rain)

N.B. Important background information can be found in the chapter “Optional Accessories”

**Fixture options**

face fixture bracket 100 mm	70867.
face fixture bracket 45 mm	71813.
fixture plate A 430 × 160 × 12 mm	75326.
fixture plate B 300 × 400 × 12 mm	75325.
markilux panel 250 × 230 × 49 mm	76308.
markilux panel continuous	701104.
stand-off bracket 80–300 mm	77968.
stand-off bracket 80–300 mm	77967.
top fixture bracket 90 mm	70868.
top fixture bracket 45 mm	71818.
eaves fixture bracket 90 mm plate: 150 mm	71612.
eaves fixture bracket 90 mm plate: 270 mm	71659.
angle and plate for eaves fixture machine finish aluminium, plate 500 mm	716620
spreader plate 260 × 60 × 12 mm for eaves fixture bracket	75383.

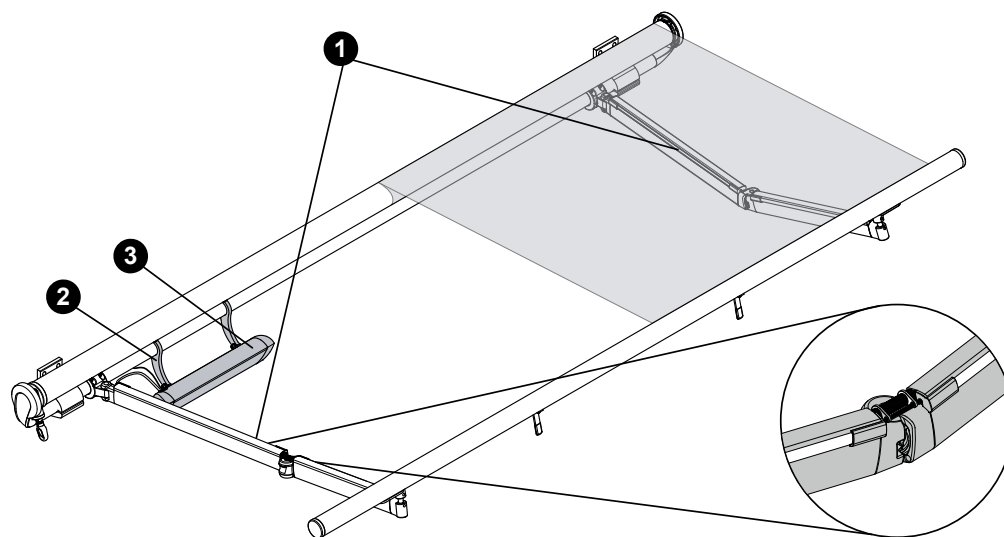
**Lighting options****LED Lines in the folding arms**

fixture to a round torque bar, Ø 50 mm  
incl. clamp plate

76972.

After fitting the awning, the E-box is to be attached on the drive side to the torque bar between the folding arms – it is attached on the bearing side only when the awning has a shadeplus with motor. For coupled awnings, the E-box must be attached in the area near the coupling point.

Power is supplied to the E-box through a cable duct attached to the torque bar.

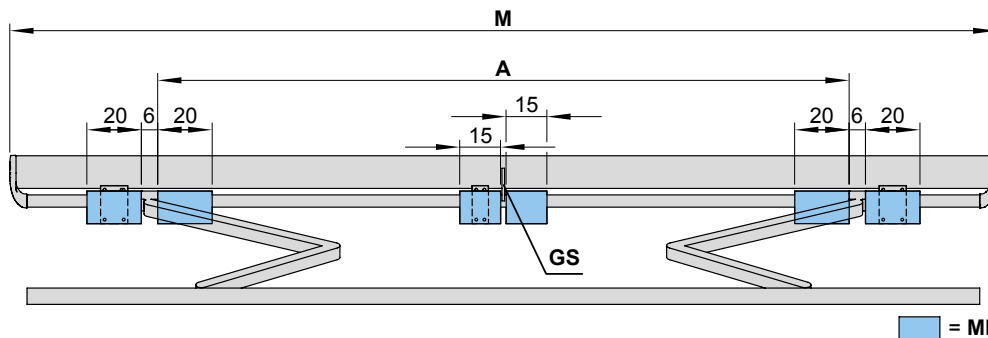
**Technical specification**

operating voltage	230 V, 50 Hz
power output per metre	8 W / metre
number of LEDs per metre	150 LEDs / metre
light source	LED (12 V)
light temperature	warm white
IP protection class	IP 67
service life	ca. 15.000 h

- 1 = LED Line in the folding arms
- 2 = E-Box bracket (76972.)
- 3 = additional E-Box

# Bracket fixture range

Awning with 2 folding arms



dimensions in cm

		Awning width								
		250	300	350	400	450	500	550	600	650
Order dimensions		180	251	301	351	401	451	501	551	601
		250	300	350	400	450	500	550	600	650
		Arm position A								
H	150	154 <sup>1)</sup>	210	240	280	320	390	425	460	500
	200	204 <sup>2)</sup>	210 <sup>1)</sup>	240	280	320	390	425	460	500
	250	—	254 <sup>2)</sup>	260 <sup>1)</sup>	280	320	390	425	460	500
	300	—	—	304 <sup>2)</sup>	310 <sup>1)</sup>	320	390	425	460	500
	350	—	—	—	354 <sup>2)</sup>	360 <sup>1)</sup>	390	425	460	—
		No. of brackets   No. of fixing points								
W	BHT									
	4,5	—						1   2		
	10	2   6						2   6		
BP		A 2   16 B 2   8						A 2   16 B 2   8		
DP		—						1		
PA		2   8						3   12		
DE	BHT									
	4,5	—						1   2		
	9	2   8						2   8		
DA		2   8						3   12		

dimensions in cm

If the brackets cannot be positioned in accordance with this table, make sure the actual dimensions are noted on the order form!

1) = coupled awnings are available in intermediate widths with a junction roller on request

2) = please note the minimum widths! Dimension **A** is only valid for standard arms! In the case of bespoke arms: **A** minus 13 cm. In the case of small awnings the brackets can only be fitted inside the arms, i.e. the position denoted by measurement **A**.

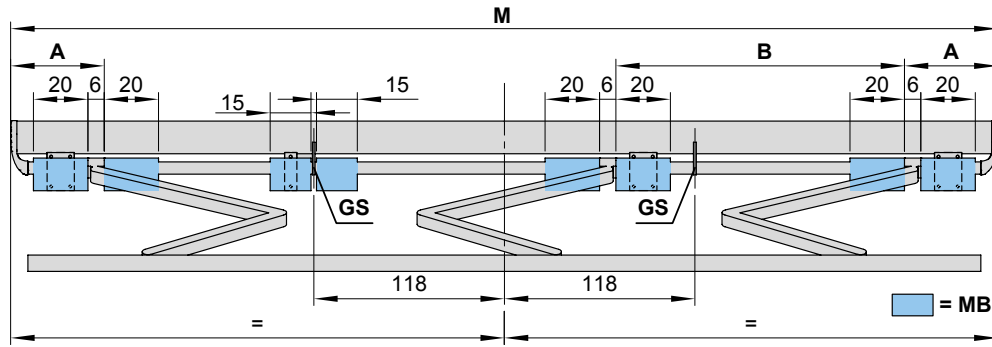
Coupled units are not available with a junction roller.

The **pull-out forces** necessary for determining the correct fixing materials necessary to meet wind resistance class 2 (Beaufort 5) can be found in the password-protected dealer area of the [pro.markilux.com](http://pro.markilux.com) website under "Pull-out Forces".

- A** = arm position
- BHT** = bracket width
- BP** = spreader plate **A** or **B**, to be positioned behind the folding arm
- DA** = eaves fixture brackets
- DE** = top fixture brackets
- DP** = spacer plate 71826., to be positioned behind the rolltex bearing, in the case of spreader plate **A** or **B**
- GS** = cassette support bracket
- H** = **order dimension** = projection
- M** = **order width** = awning width
- MB** = bracket fixture range
- PA** = markilux panel, fixture profile, width 250 mm
- W** = face fixture brackets

# Bracket fixture range

Awning with 3 folding arms



dimensions in cm

		Awning width			
		650		700	
Order dimensions		618	651	675	690
		650	674	689	700

		Arm position							
		A	B	A	B	A	B	A	B
H	150	—	—	55	235	55	245	55	245
	200	—	—	55	225	55	235	55	235
	250	—	—	55	215	55	225	55	225
	300	—	—	45	210	55	215	55	215
	350	13 <sup>1)</sup>	215 <sup>1)</sup>	23 <sup>1)</sup>	215 <sup>1)</sup>	31 <sup>1)</sup>	225 <sup>1)</sup>	38	225

		No. of brackets   No. of fixing points	
W	BHT		
	4,5	1   2	
	10	3   9	
BP		A 3   24 B 3   12	
DP		1	
PA		4   16	
DE	4,5	1   2	
	9	3   12	
DA	9	4   16	

dimensions in cm

If the brackets cannot be positioned in accordance with this table, make sure the actual dimensions are noted on the order form.

1) = coupled units are not available with a junction roller

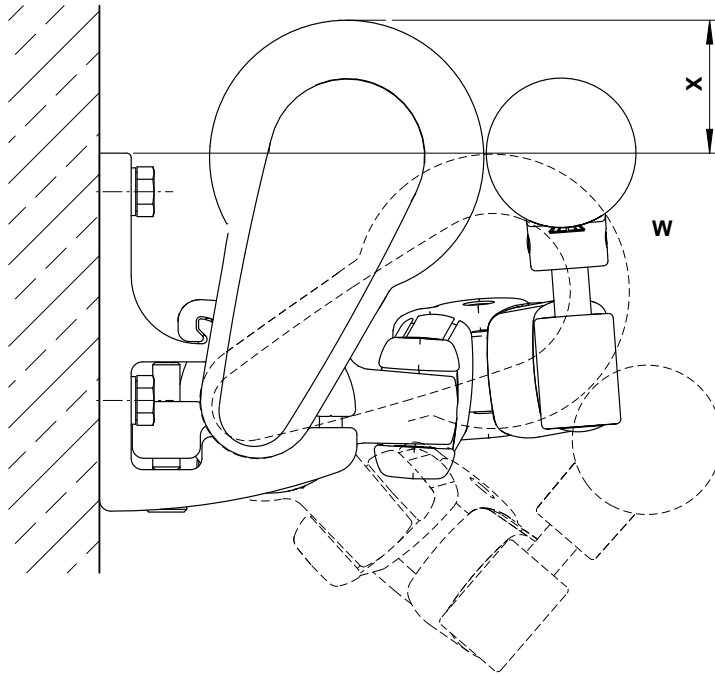
The **pull-out forces** necessary for determining the correct fixing materials necessary to meet wind resistance class 2 (Beaufort 5) can be found in the password-protected dealer area of the [pro.markilux.com](http://pro.markilux.com) website under "Pull-out Forces".

- A** = arm position
- BHT** = bracket width
- BP** = spreader plate **A** or **B**, to be positioned behind the folding arm
- DA** = eaves fixture brackets
- DE** = top fixture brackets
- DP** = spacer plate 71826., to be positioned behind the rolltex bearing, in the case of spreader plate **A** or **B**
- GS** = cassette support bracket
- H** = **order dimension** = projection
- M** = **order dimension** = awning width
- MB** = bracket fixture range
- PA** = markilux panel, fixture profile, width 250 mm
- W** = face fixture brackets



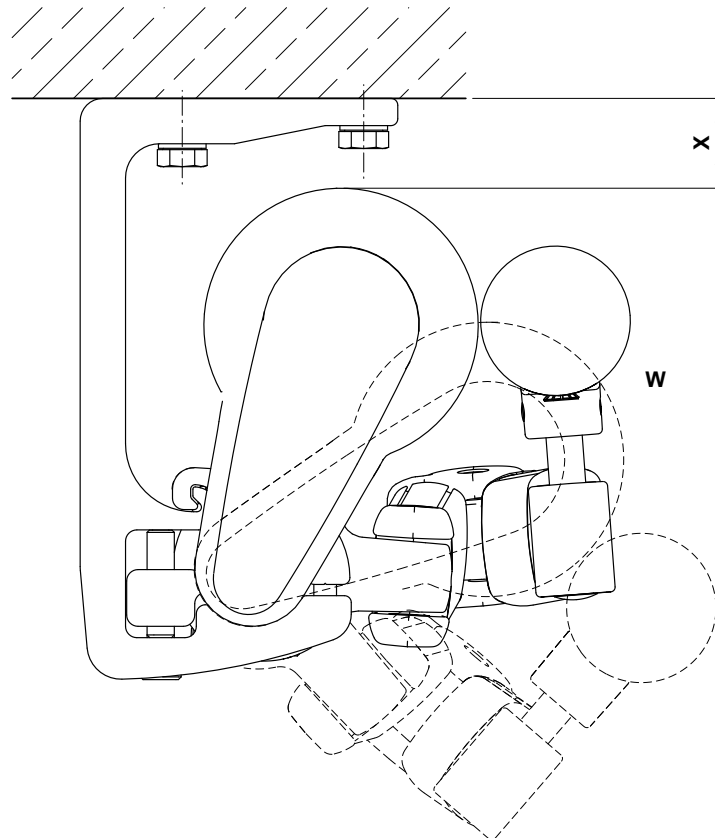
# Overall unit height at different pitch settings

Face fixture



pitch (W)	approx. height in mm (x)
5°	59
10°	55
15°	50
20°	45
25°	39

Top fixture

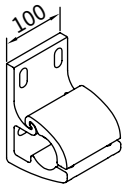


pitch (W)	approx. height in mm (x)
5°	40
10°	44
15°	48
20°	54
25°	60

01  
02  
03  
04  
05  
06  
07  
08  
09  
10  
**11**  
12  
13  
14  
15  
16  
17

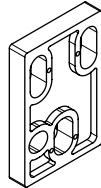
# Face fixture

## Fixtures, fittings and accessories



face fixture bracket  
100 mm

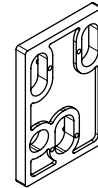
**70867.**



spacer plate  
100 × 150 × 20 mm

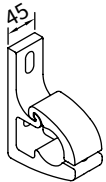
**N.B.!**  
Stack to a max. height  
of 200 mm

**758831**



spacer plate  
100 × 150 × 12 mm

**758841**



face fixture bracket  
45 mm  
  
for installation in the  
centre, depends on the  
width

**71813.**



spacer plate for face  
fixture  
45 × 150 × 20 mm

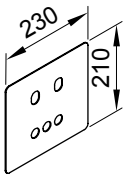
**N.B.!**  
Stack to a max. height  
of 200 mm

**718251**



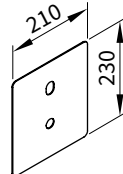
spacer plate for face  
fixture  
45 × 150 × 12 mm

**71826.**



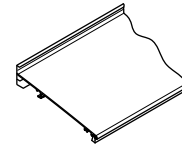
cover plate for spacer  
plate and stand-off  
brackets in the case of  
external insulation  
230 × 210 × 2 mm

**71843.**



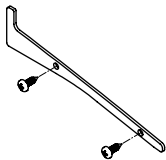
cover plate  
for spacer plate and  
stand-off brackets in  
the case of external  
insulation  
210 × 230 × 2 mm

**71844.**



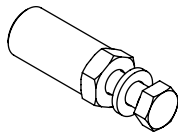
wall sealing profile  
incl. brush seal  
  
by the metre

**76385. and 704241.**



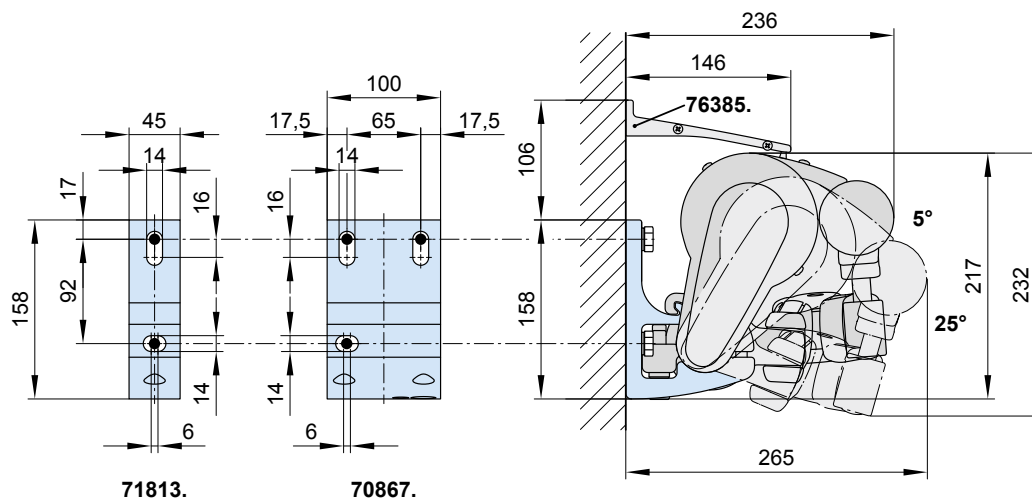
side plate  
for wall sealing profile  
  
including 2 pan-head  
self-tapping screws

**76386. and 2 × 735611**



reduction bolt  
  
pack 10 pcs

M 16 → M 12 | M 16 → M 10 | M 12 → M 10 | M 10 → M 10

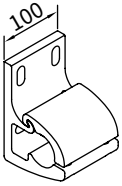
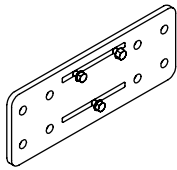
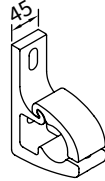

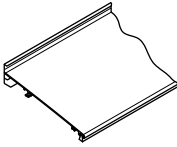
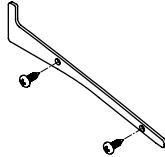
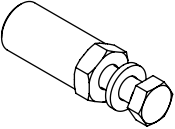


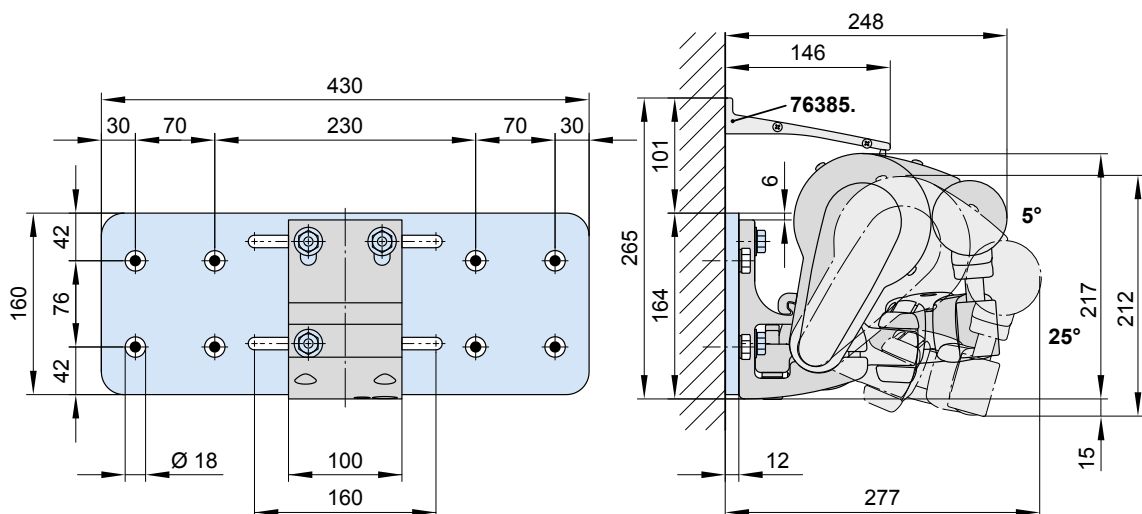
**76385.** = wall sealing profile (standard width = awning width (M); up to a maximum awning pitch of 25°)

dimensions in mm

# Face fixture with spreader plate A

Fixtures, fittings and accessories

 <p>face fixture bracket 100 mm</p> <p><b>70867.</b></p>	 <p>spreader plate A face fixture 430 × 160 × 12 mm</p> <p><b>75326.</b></p>	 <p>face fixture bracket 45 mm</p> <p>for installation in the centre, depends on the width</p> <p><b>71813.</b></p>
 <p>spacer plate for face fixture 45 × 150 × 12 mm</p> <p><b>71826.</b></p>	 <p>wall sealing profile incl. brush seal by the metre</p> <p><b>76385. and 704241.</b></p>	 <p>side plate for wall sealing profile</p> <p>including 2 pan-head self-tapping screws</p> <p><b>76386. and 2 × 735611</b></p>
 <p>reduction bolt</p> <p>pack 10 pcs</p> <p>M 16 → M 12   M 16 → M 10   M 12 → M 10   M 10 → M 10</p>		



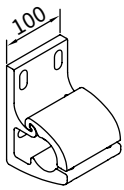
**76385.** = wall sealing profile (standard width = awning width (M); up to a maximum awning pitch of 25°)

dimensions in mm

01  
02  
03  
04  
05  
06  
07  
08  
09  
10  
**11**  
12  
13  
14  
15  
16  
17

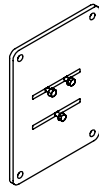
# Face fixture with spreader plate B

Fixtures, fittings and accessories



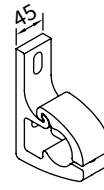
face fixture bracket  
100 mm

**70867.**



spreader plate B face  
fixture  
300 × 400 × 12 mm

**75325.**



face fixture bracket  
45 mm

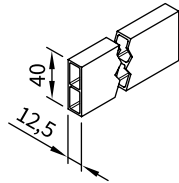
for installation in the  
centre, depends on the  
width

**71813.**



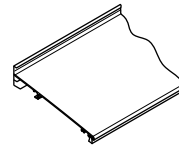
spacer plate for face  
fixture  
45 × 150 × 12 mm

**71826.**



stand-off strip  
for wall sealing  
by the metre

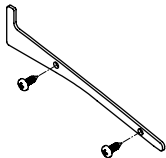
**751971**



wall sealing profile  
incl. brush seal

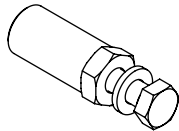
by the metre

**76385. and 704241.**



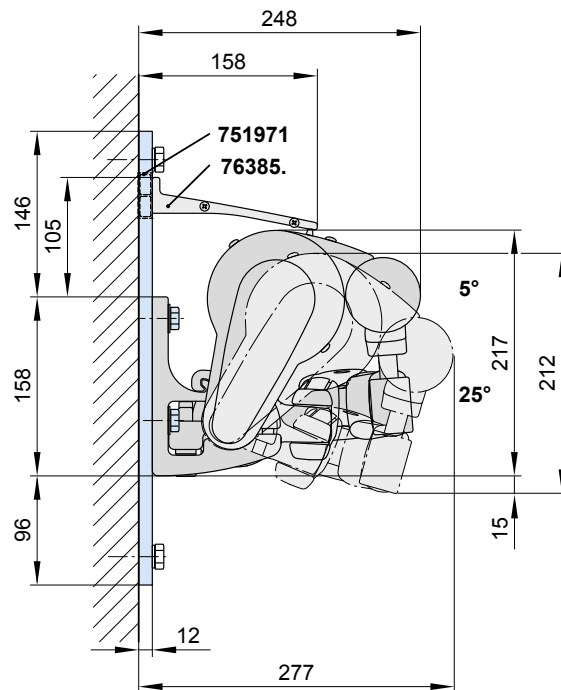
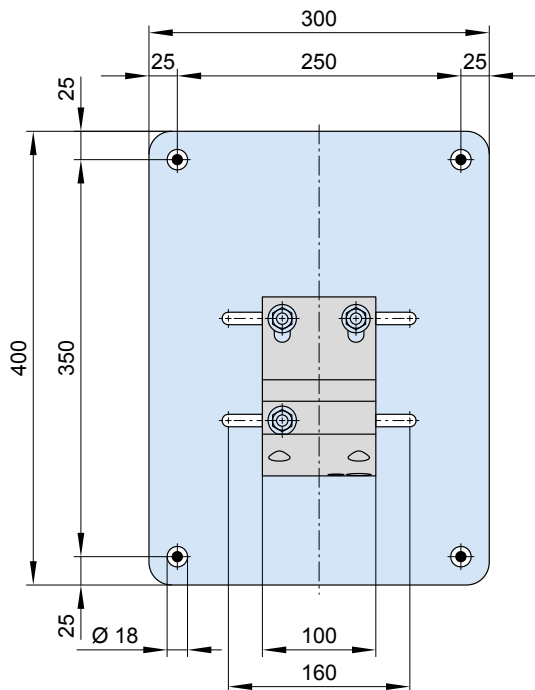
side plate  
for wall sealing profile  
including 2 pan-head  
self-tapping screws

**76386. and 2 × 735611**



reduction bolt  
pack 10 pcs

M 16 → M 12 | M 16 → M 10 | M 12 → M 10 | M 10 → M 10



**751971** = stand-off strip for wall sealing profile

**76385.** = wall sealing profile (standard width = awning width (M); up to a maximum awning pitch of 25°)

dimensions in mm

# Face fixture using the markilux panel 250 mm wide

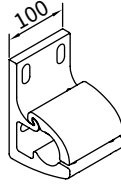
Fixtures, fittings and accessories



markilux panel  
250 × 230 × 49 mm

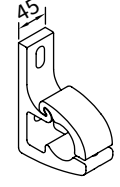
with decorative profiles  
and end caps

**76308.**



face fixture bracket  
100 mm

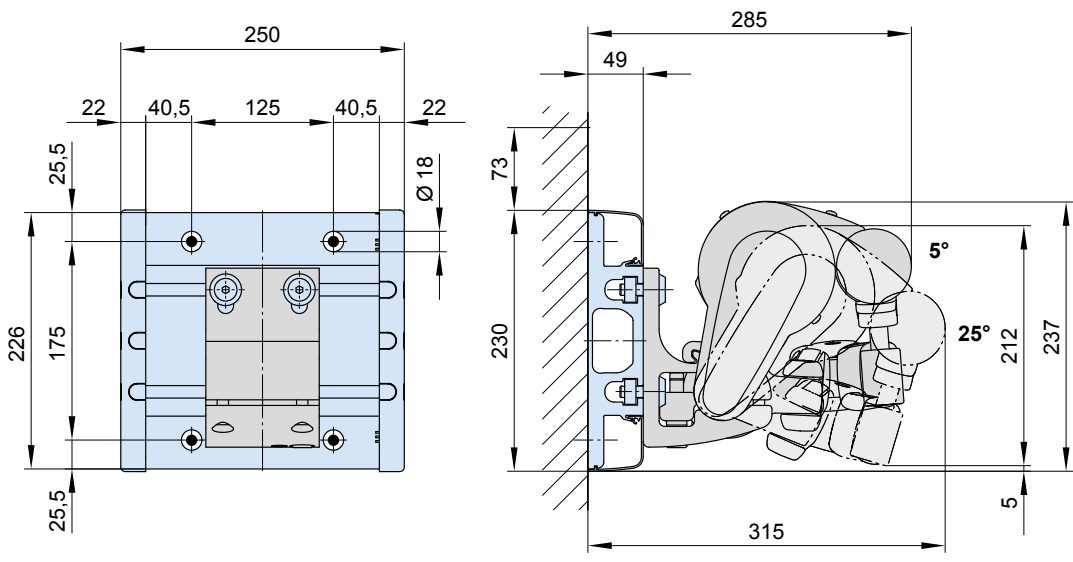
**70867.**



face fixture bracket  
45 mm

for installation in the  
centre, depends on the  
width

**71813.**

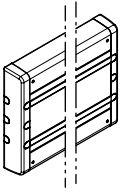


dimensions in mm

01  
02  
03  
04  
05  
06  
07  
08  
09  
10  
**11**  
12  
13  
14  
15  
16  
17

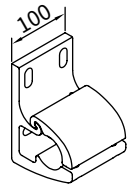
# Face fixture with markilux panel continuous

## Fixtures, fittings and accessories



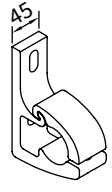
markilux panel continuous  
with decorative profiles and end caps

**701104**



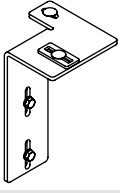
face fixture bracket 100 mm

**70867.**



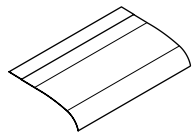
face fixture bracket 45 mm  
for installation in the centre, depends on the width

**71813.**



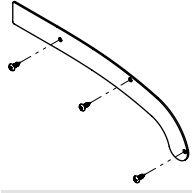
bracket coverboard

**76390.**



coverboard incl. additional profile and rubber sealing strip

**72015., 72019., 75970.**

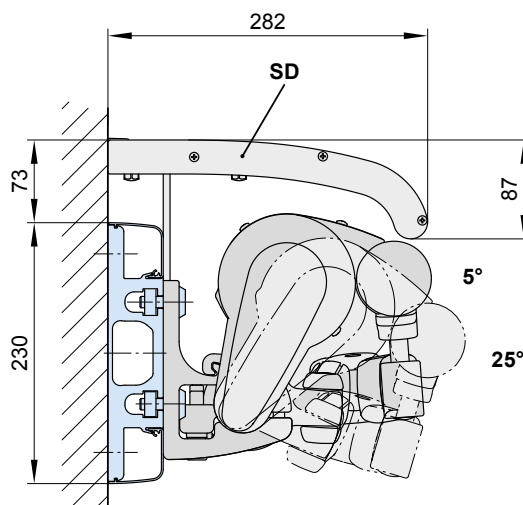
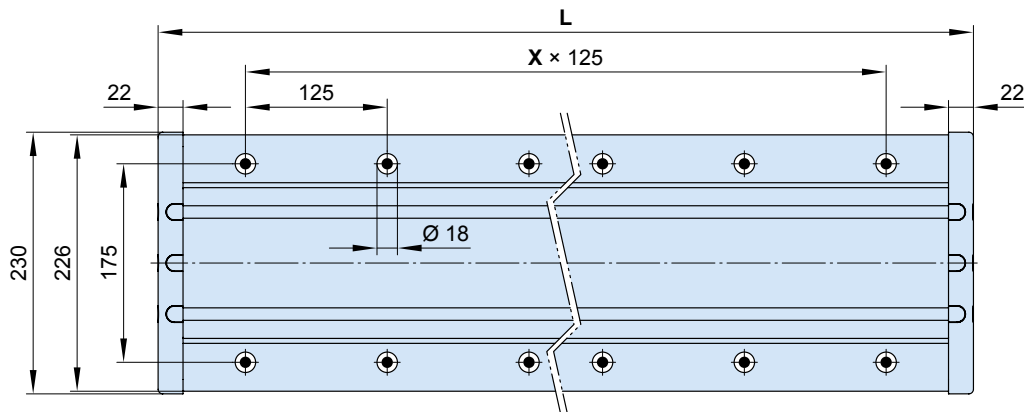


side cover profile coverboard 282 × 87 × 2 mm  
Including 3 pan-head self-tapping screws for wall sealing profile

**76469. and 3 × 735611**

As a **continuous fixture profile** the markilux panel will always be supplied to order on the basis of a technical drawing prepared in the factory in accordance with the awning specification.

**11**

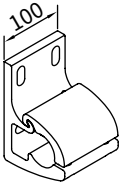


- L** = individual width, max. 7000 mm
- SD** = coverboard
- x** = fixing point separation, **by way of example**

dimensions in mm

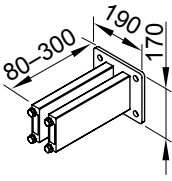
# Face fixture with stand-off bracket

Fixtures, fittings and accessories



face fixture bracket  
100 mm

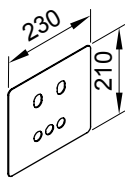
**70867.**



stand-off bracket  
for face fixture  
bracket 70867.

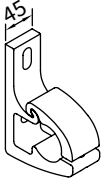
80-300 mm  
incl. insulating  
element

**77968.**



cover plate for spacer  
plate and stand-off  
brackets in the case of  
external insulation  
230 × 210 × 2 mm

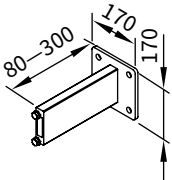
**71843.**



face fixture bracket  
45 mm

for installation in the  
centre, depends on the  
width

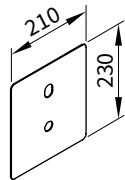
**71813.**



Stand-off bracket  
for face fixture  
bracket

80-300 mm  
incl. insulating  
element

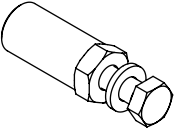
**77967.**



cover plate  
for spacer plate and  
stand-off brackets in  
the case of external  
insulation

210 × 230 × 2 mm

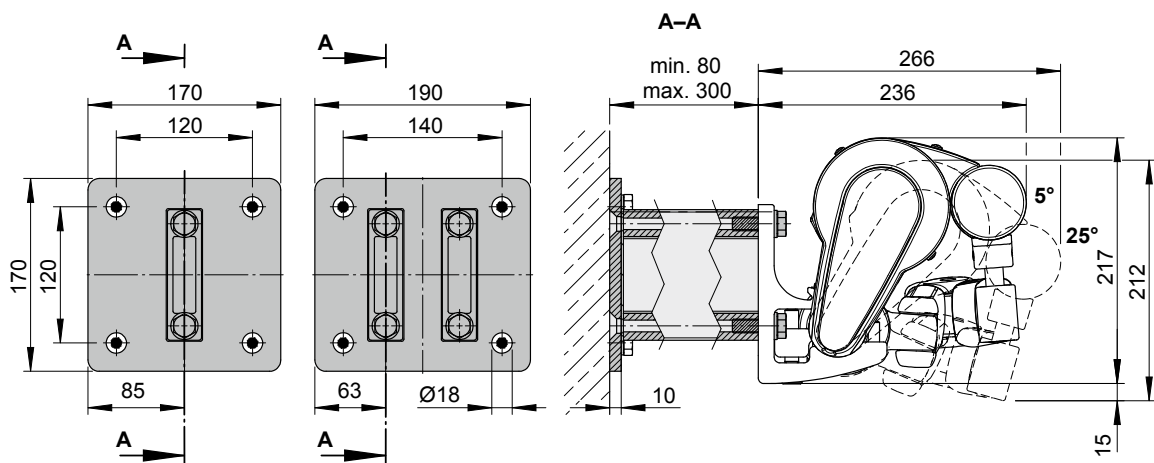
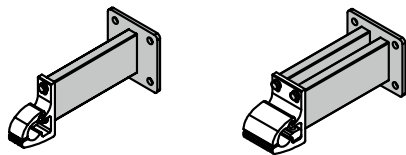
**71844.**



reduction bolt  
M 16 → M 12 / SW 27

50 mm

M 16 → M 12 | M 16 → M 10 | M 12 → M 10 | M 10 → M 10

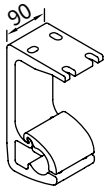


dimensions in mm

01  
02  
03  
04  
05  
06  
07  
08  
09  
10  
**11**  
12  
13  
14  
15  
16  
17

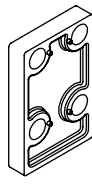
# 01 Top fixture

## 02 Fixtures, fittings and accessories



top fixture bracket  
90 mm

**70868.**



spacer plate for top  
fixture  
90 × 140 × 20 mm

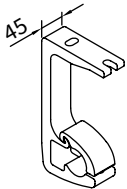
**N.B!**  
Stack to a max. height  
of 200 mm

**716311**



spacer plate  
for top fixture  
90 × 140 × 12 mm

**716411**



top fixture bracket  
45 mm  
  
additional bracket for  
3 folding arms

**71818.**



spacer plate for top  
fixture  
45 × 140 × 20 mm

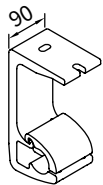
**N.B!**  
Stack to a max. height  
of 200 mm

**716261**



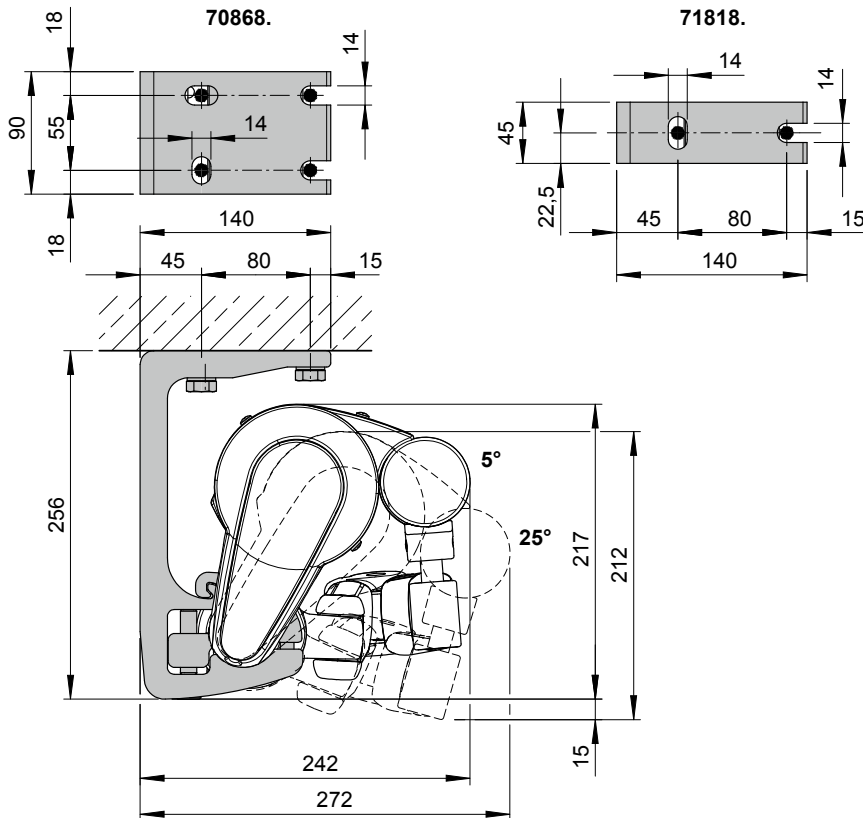
spacer plate for top  
fixture  
45x 140 x 12 mm

**716371**



top fixture bracket  
for central fixture  
  
**N.B!** The pull-out  
forces are double those  
of top fixture bracket  
70868.

**70869.**

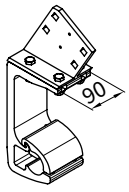


dimensions in mm



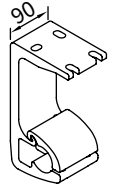
# Eaves fixture

## Fixtures, fittings and accessories



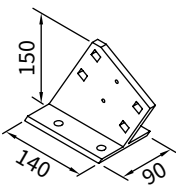
eaves fixture bracket complete  
90 mm  
height of flat plate  
150 mm

**70871.**



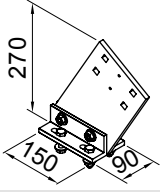
top fixture bracket  
90 mm

**70868.**



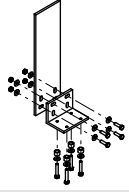
eaves fixture bracket  
90 mm  
height of flat plate  
150 mm

**71612.**



eaves fixture bracket  
90 mm  
height of flat plate  
270 mm

**71659.**

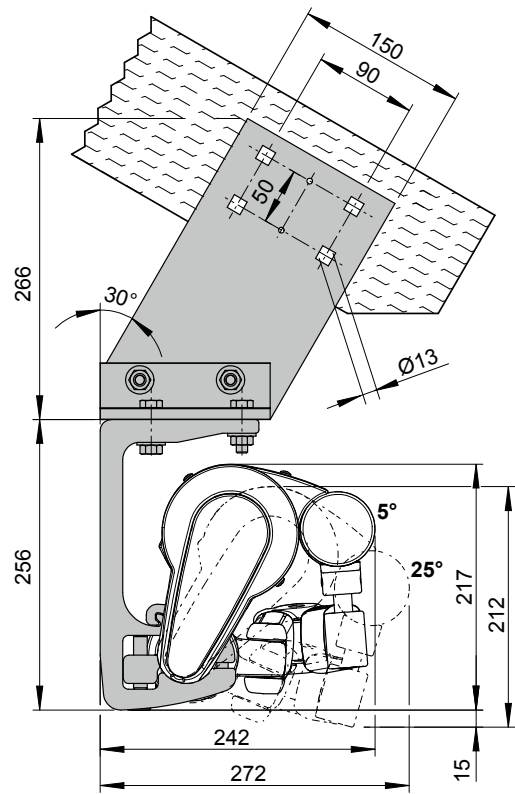
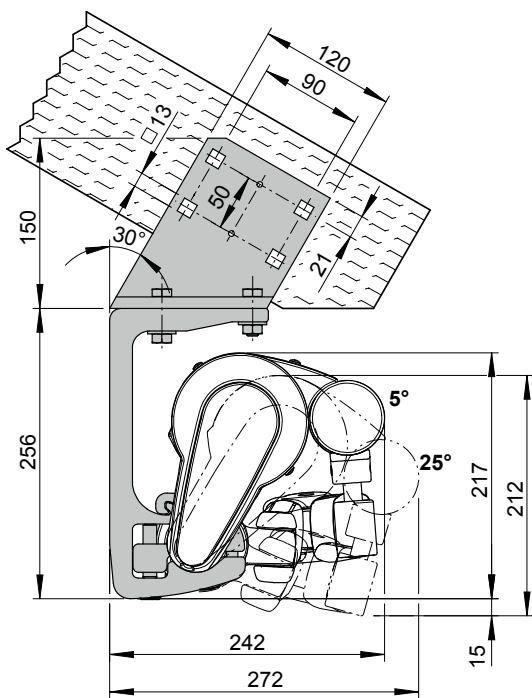


angle and plate for  
eaves fixture  
height of plate 50 mm  
machine finish

**716620**

With eaves fixture bracket 150 mm (71612.)

With eaves fixture bracket, 270 mm (71659.)

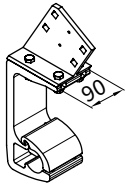


dimensions in mm

01  
02  
03  
04  
05  
06  
07  
08  
09  
10  
**11**  
12  
13  
14  
15  
16  
17

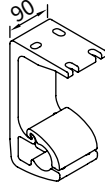
# Eaves fixture with additional plate

Fixtures, fittings and accessories



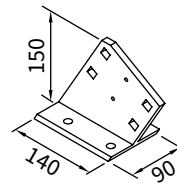
eaves fixture bracket complete  
90 mm  
height of flat plate  
150 mm

70871.



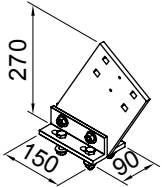
top fixture bracket  
90 mm

70868.



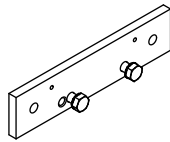
eaves fixture bracket  
90 mm  
height of flat plate  
150 mm

71612.



eaves fixture bracket  
90 mm  
height of flat plate  
270 mm

71659.



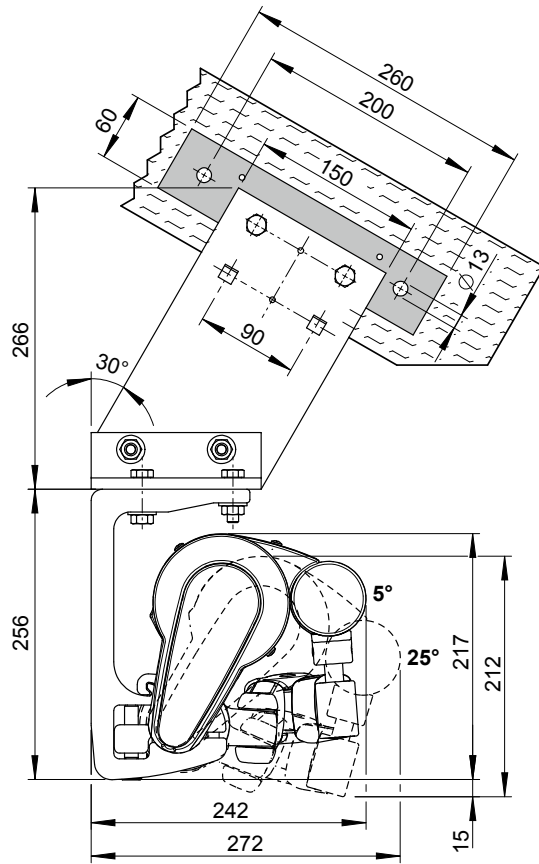
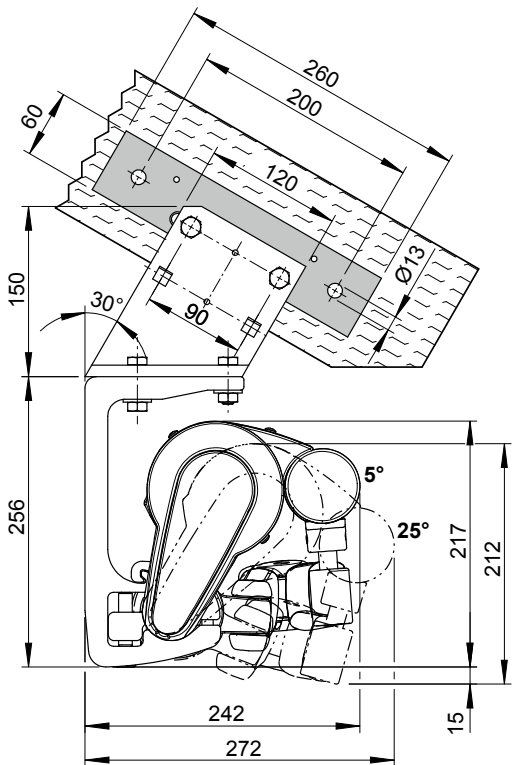
supplementary flat plate  
for eaves fixture  
260 × 60 × 12 mm

75383.

## 11

With eaves fixture bracket 150 mm (71612.)

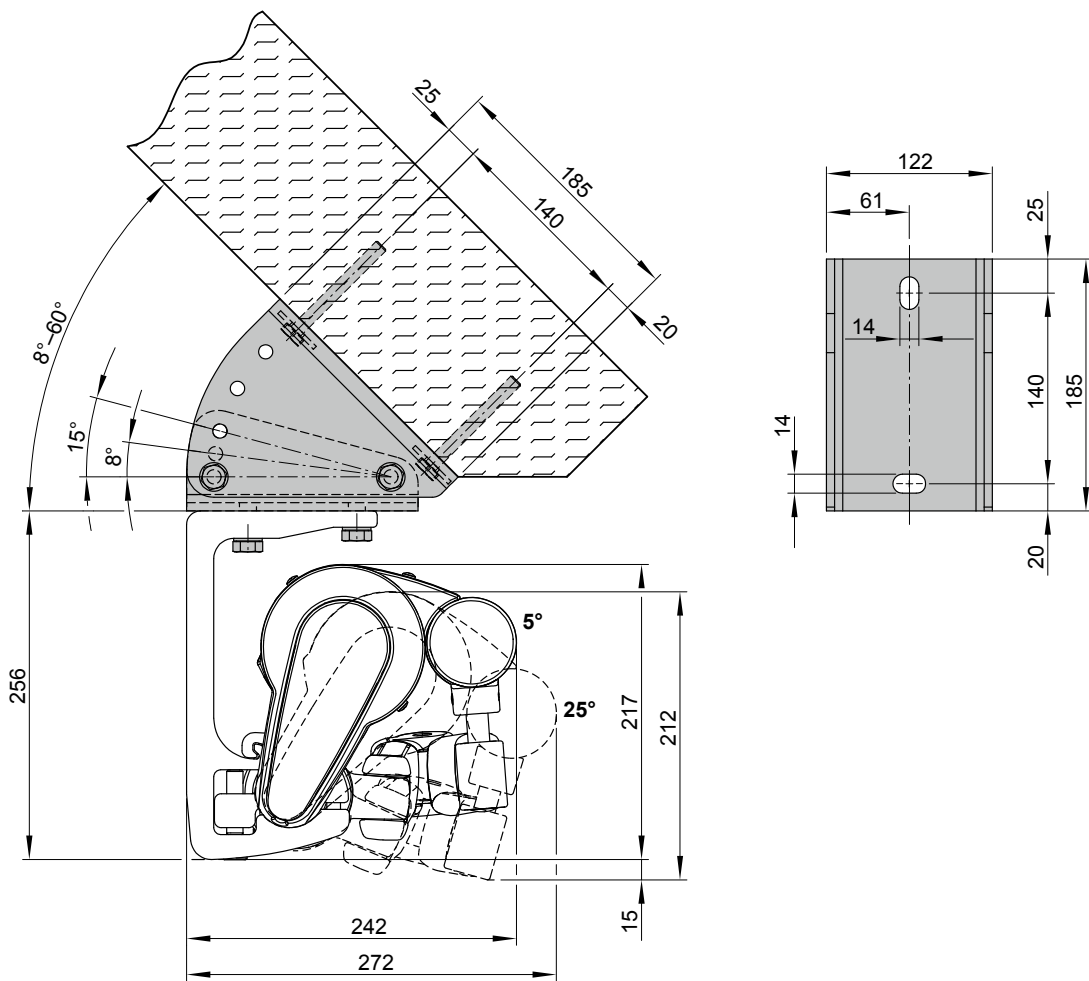
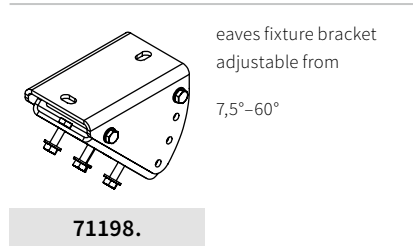
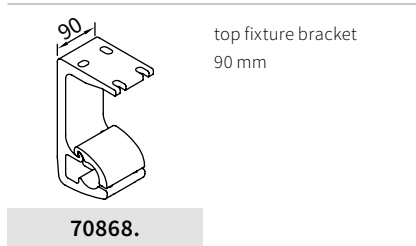
With eaves fixture bracket 270 mm (71659.)



dimensions in mm

# Eaves fixture with adjustable eaves fixture bracket

Fixtures, fittings and accessories

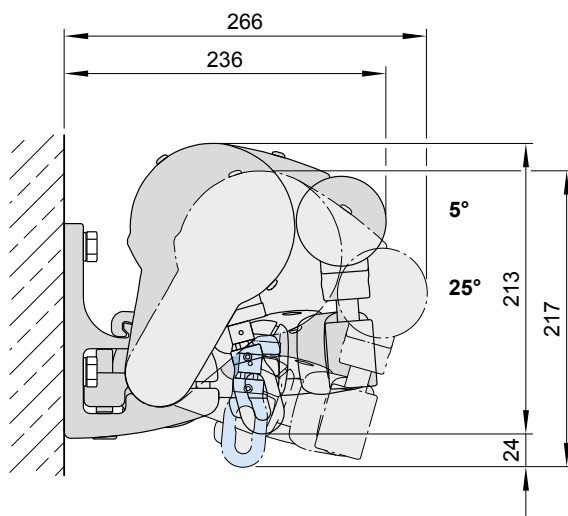


dimensions in mm

01  
02  
03  
04  
05  
06  
07  
08  
09  
10  
**11**  
12  
13  
14  
15  
16  
17

01 **Face fixture, manual operation**

02 Dimensions at pitches between 5°-25°



11

12

13

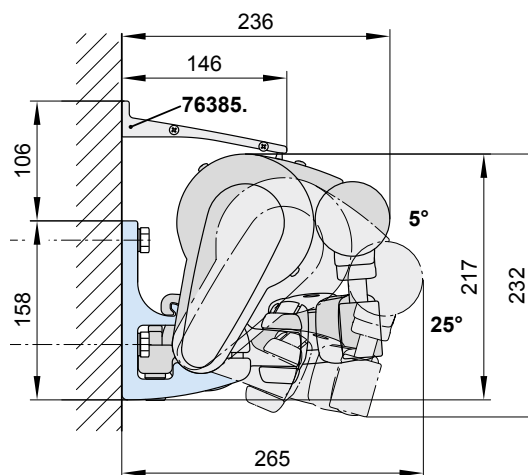
14 **Face fixture with wall sealing profile**

15 max. pitch 25°

16

17

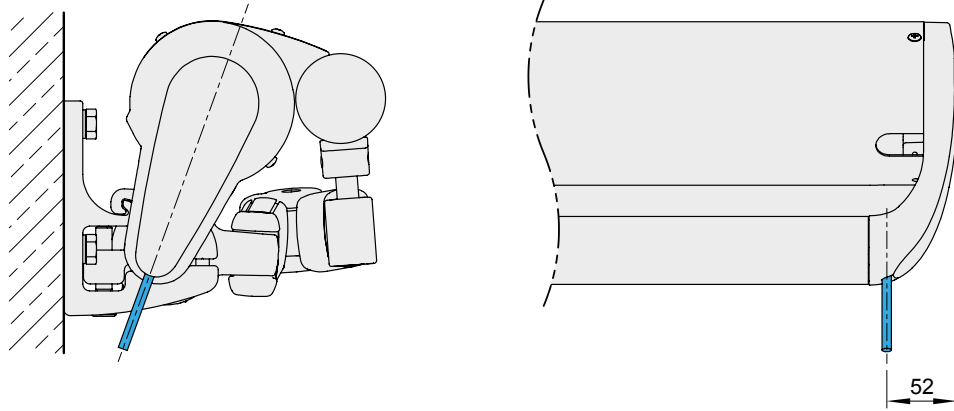
pitch (W)	approx. height in mm (x)
5°	106
10°	102
15°	99
20°	96
25°	90



76385. = wall sealing profile (standard width = awning width (M) up to a maximum awning pitch of 25°)

dimensions in mm

# Motor cable exit point



- 01
- 02
- 03
- 04
- 05
- 06
- 07
- 08
- 09
- 10
- 11**
- 12
- 13
- 14
- 15
- 16
- 17

01

02

03

04

05

06

07

08

09

10

**11**

12

13

14

15

16

17