



Cassette awning

markilux 6000

A designer cassette awning that is individually modifiable in both colour and specification. The enormous variety of combinations of both the visual and technical aspects makes this awning unique.



reddot design award
winner 2006



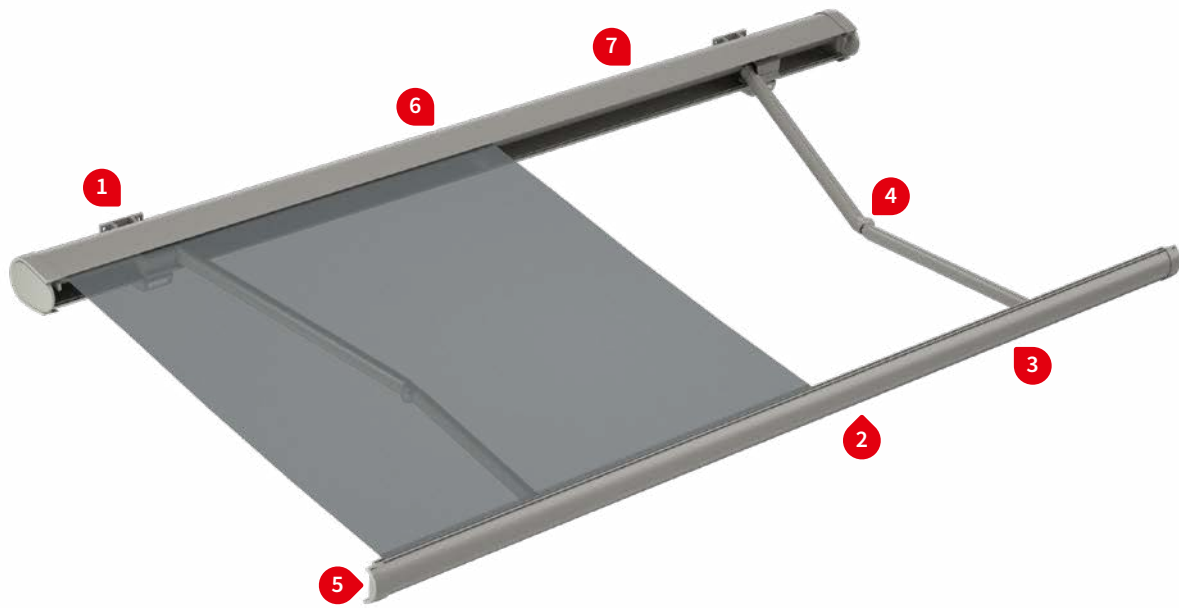
DESIGN AWARD
2007
NOMINEE

markilux.com

markilux
safe timeless beautiful

Product Characteristics

Wind resistance class 2
Beaufort 5 → 7.5–10.4 m/s → 28–37 km/h → 17–23 mph



1) face fixture



1) top fixture



2) LED Spots in the front profile ¹⁾



3) shadeplus ¹⁾



3) shadeplus, during extension ¹⁾



4) bionic tendon and hidden cable duct in the arms



5) concealed gutter with water drainage holes to the side



6) infrared heater attached to the cassette ¹⁾



7) wall sealing profile ¹⁾



1) Optional accessories

Product Characteristics

Description

- top-quality ovally shaped designer cassette awning, presented with the reddot design award
- extremely robust construction, ideally suited for shading large areas

Special features

- option of shadeplus up to a projection of 350 cm – vertical protection against low-lying sun and inquisitive glances integrated into the front profile, can be operated by radio remote control
- option of adjustable LED spotlights in the front profile – to create a pleasant atmosphere
- option of a silentec motor – motor noise is appreciably reduced
- the awning frame colour and end cap options can be freely combined (end cap trim and insert for the cassette, end caps for the front profile)

Dimensions

- cassette in the standard version: depth 255 mm, height 165 mm
cassette with drop valance: depth 317 mm, height 165 mm (without brackets)
- single unit: minimum width 205 cm at the smallest projection of 150 cm, maximum width 700 cm at the largest projection of 400 cm
- also available as a coupled unit

Roller tube and lateral bearings

- round roller tube Ø 85 mm with keyway, galvanised steel – excellent stability, ensures near perfect cover performance even at the largest widths
- the cassette side caps are made of die-cast aluminium, powder coated

Awning profiles

- extruded aluminium, in façade quality, powder coated
- cassette in two parts with integrated cover profile – offering optimum protection of the awning cover against the weather
- semi-circular front profile with integrated gutter

Folding arms

- profiles in extruded aluminium, in façade quality, powder coated
- moving parts made of drop-forged aluminium – the arms are therefore extremely fracture resistant
- pivot bolts in stainless steel run in Teflon-coated bronze bushes - practically maintenance free, virtually silent and extremely hard wearing
- power transference via the innovative bionic tendon at the elbow joint, made of high tensile, hightech fibres – low in friction, noiseless, insensitive to corrosion and UV resistant, tested by the Fraunhofer institute

End caps

- the cassette end caps are made of high-quality plastic, consisting of trim and insert sections
- end cap trim powder coated or in polished chrome, end cap insert powder coated or made of stainless steel mesh
- the front profile end caps are made of high-quality plastic, powder coated or with a polished chrome finish, with water drainage holes

Fixture brackets

- face fixture, top fixture, eaves fixture
- extruded aluminium, powder coated
- brackets with elegant cowling made of plastic, powder coated
- pitch range 5°–35° or 36°–70°, infinitely adjustable
- spacer plates, stand-off brackets and other accessories are available

01 **Frame and end cap colours**

markilux frame colours without surcharge

02 traffic white, RAL 9016



metallic aluminium, RAL 9006



grey brown, similar to RAL 8019



06

07 off-white textured finish, 5233 ¹⁾stone grey metallic, 5215 ¹⁾anthracite metallic, 5204 ¹⁾12 havana brown textured finish, 5229 ¹⁾

16 end cap trim in polished chrome



end cap insert in stainless steel



trim in polished chrome and insert in stainless steel



Combination options by example of the frame colour stone grey metallic 5215 – possible in any frame colour.

Non-standard powder-coated finish






Bespoke frame colours incur a surcharge – matt, metallic, finely textured and pearl finishes as well as other colour ranges (DB, Tiger etc.) on request. All frame colours are available at a surcharge with enhanced corrosion protection.

Colours may differ slightly from those depicted in both hue and finish.

¹⁾ textured finish


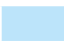


Dimensions and configuration options


Single unit


Order dimensions	Awning width										Minimum width				
	250	300	350	400	450	500	550	600	650	700 ²⁾	Motor			Crank handle	
	205 250	251 300	301 350	351 400	401 450	451 500	501 550	551 600	601 650	651 700					
H	150	³⁾									218	205	—	218	205
	200	—	³⁾								268	255	—	268	255
	250	—	—	³⁾							318	305	—	318	305
	300	—	—	—	³⁾						368	355	—	368	355
	350	—	—	—	—	³⁾				^{2) 3) 4)}	418	405	647	418	405
	400 ^{1) 2)}	—	—	—	—	—	³⁾				468	455	697	—	—


dimensions in cm

- 1) = drop valance not available
 2) = only available with motor drive (surcharge)
 3) = please note the minimum widths!
 4) = in case of 350 cm projection and awning width 647–655 cm: assembly of the decorative cap for top and eaves fixture bracket not possible
 H = projection

-  = 2 folding arms, 2 brackets
 = 2 folding arms, 3 brackets
 = 2 folding arms, 3 brackets, 1 rolltex bearings
 = 3 folding arms, 4 brackets, 2 rolltex bearings

 = 2 standard arms

 = 2 bespoke arms (surcharge)

 = 3 standard arms

Operation	standard	optional
crank handle	✓	—
spring-assisted crank handle	—	✓
hard-wired motor	—	✓
silentec motor (optionally with an external io / RTS receiver ¹⁾)	—	✓
radio-controlled motor io, 868 MHz	—	✓
radio-controlled motor RTS, 433 MHz	—	✓
868 MHz radio-controlled motor io with manual override ¹⁾	—	✓

1) For awnings with a maximum of 2 arms

Coupled Awning (only with motor drive)¹⁾

2 fields, 1 motor, maximum width 1390 cm
3 fields, 1 motor, maximum width 1800 cm
maximum projection (depending on the width) 400 cm
junction roller
optionally with a one-piece cover (maximum of 2 fields / projection 350 cm / 15° pitch – without internal cover profile, drop valance not available)

1) N.B! Important background information can be found in the chapter “General Information”, in the section “Coupled Awnings”

Awning cover	fabric pattern no.	standard	optional
sunvas	300.. – 315..	✓	—
sunsilk	324.. / 325.. / 328.. / 369..	✓	—
sunbow	411.. - 427..	✓	—
smart art	340..	—	✓
perla FR	371.. / 372..	—	✓
valance, height 20 cm		—	✓

Drop valance ^{1) 2)}	standard	optional
height 210 cm		
maximum projection 350 cm		
crank handle	✓	—
hard-wired motor	—	✓
868 radio-controlled motor io	—	✓
radio-controlled motor RTS, 433MHz	—	✓
fabric pattern sunvas / sunsilk / sunbow / transolair / vuscreen Alu / Serge 600		

1) In the case of coupled awnings (2 fields) shadeplus is driven with two separate gear boxes / motor (outside left and right)

2) Only available in plain seamless fabrics (oversized, fabric width >120 cm) or in plains with a horizontal joint (fabric width 120 cm).

01	Optional accessories
02	drop valance, manual or motor operation
03	LED Spots in the front profile
04	valance
05	storm safety clip for the cassette
06	wall sealing profile, up to a pitch of 70°
07	infrared heater 2500 W
08	infrared heater 2500 W with integrated radio-controlled receiver
09	868 MHz radio-controlled io
10	automatic controls (light, wind, rain)

06 N.B. Important background information can be found in the chapter "Optional Accessories"

Fixture options	
face fixture brackets 180 mm, 5°–35°	74909.
face fixture brackets 180 mm, 36°–70°	74928.
fixture plate A 430 × 160 × 12 mm	75328.
fixture plate B 300 × 400 × 12 mm	75327.
markilux panel 250 × 230 × 49 mm	76308.
markilux panel continuous	701104
stand-off bracket 80–300 mm	77970.
top fixture bracket 130 mm, 5°–35°	74903.
top fixture bracket 130 mm, 36°–70°	74905.
eaves fixture bracket 150 mm, 5°–35°, height of plate 150 mm	74944.
eaves fixture bracket 130 mm, 5°–35°, height of plate 270 mm	74970.
flat plate and angled bracket for eaves fixture, machine finish aluminium, 500 mm	741290
supplementary flat backing plate for eaves fixture 260 × 60 × 12 mm	75383.

markilux LED-Spots



17 pivoting LED spotlights in a solid aluminium housing



ininitely variable light intensity



convenient radio operation with handheld remote control



Technical specification

operating voltage	230 V, 50 Hz
power output of one LED spotlight	5 W
light source	LED (12 V)
number of transformers	1 unit
light temperature	warm white
IP protection class	IP 44
service life	aprox. 20,000 hours

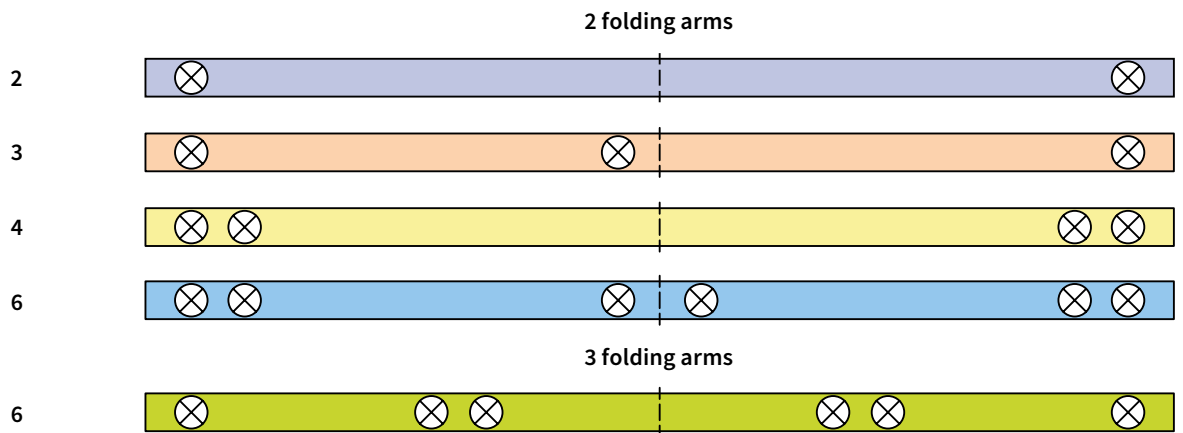
Controls

	standard	optional
on/off switch	—	✓
radio-controlled dimmer io 868 MHz	✓	—
radio-controlled dimmer RTS 433 MHz	—	✓

Lighting options

LED spotlight distribution in the front profile

Number of the LED spotlights



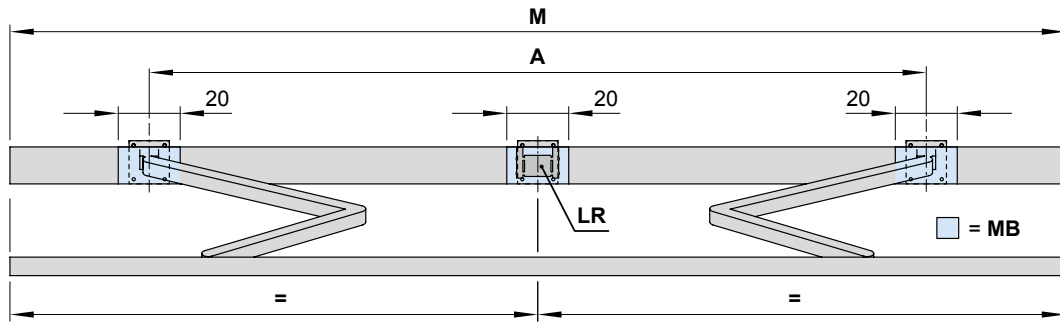
Number and distribution of the LED spotlights in the front profile

Awning width	Projection					
	150	200	250	300	350	400
238-250	2	—	—	—	—	—
251-277	—	—	—	—	—	—
278-287	3	—	—	—	—	—
288-300	3	2	—	—	—	—
301-317	—	—	—	—	—	—
318-337	3	3	—	—	—	—
338-387	3	3	2	—	—	—
388-400	3	3	2	2	—	—
401-437	3	3	3	2	—	—
438-450	3	3	3	2	2	—
451-457	6	6	—	—	—	—
458-500	6	6	6	6	4	—
501-507	—	—	—	—	—	—
508-517	6	6	6	6	6	—
518-550	6	6	6	6	6	4
551-557	—	—	—	—	—	—
558-562	6	6	6	6	6	—
563-600	6	6	6	6	6	6
601-650	6	6	6	6	—	—
651-657	6	6	6	—	—	—
658-687	6	6	6	6	—	—
688-700	6	6	6	6	6	—

dimensions in cm

Bracket fixture range

Awning with 2 folding arms



dimensions in cm

		Awning width								
		250	300	350	400	450	500	550	600	650
Order dimensions		205	251	301	351	401	451	501	551	601
		250	300	350	400	450	500	550	600	650

		Arm position A								
H	150	184 ²⁾	210 ¹⁾	260	300	340	390	440	490	510
	200	—	234 ²⁾	260 ¹⁾	300	340	390	440	490	510
	250	—	—	284 ²⁾	300 ¹⁾	340	390	440	490	510
	300	—	—	—	334 ²⁾	340 ¹⁾	390	440	490	510
	350	—	—	—	—	384 ²⁾	390 ¹⁾	440	490	—
	400	—	—	—	—	—	434 ²⁾	445 ¹⁾	490 ¹⁾	—

		No. of brackets No. of fixing points	
W	BHT 18	2 8	
BP		A 2 16	B 2 8
DP		—	
PA		2 8	
DA / DE	13	2 8	2 6

dimensions in cm

1) = coupled awnings are available in intermediate widths with a junction roller on request

2) = please note the minimum widths! Dimension A is only valid for standard arms!

In the case of bespoke arms: A minus 13 cm, coupled units are not available with a junction roller

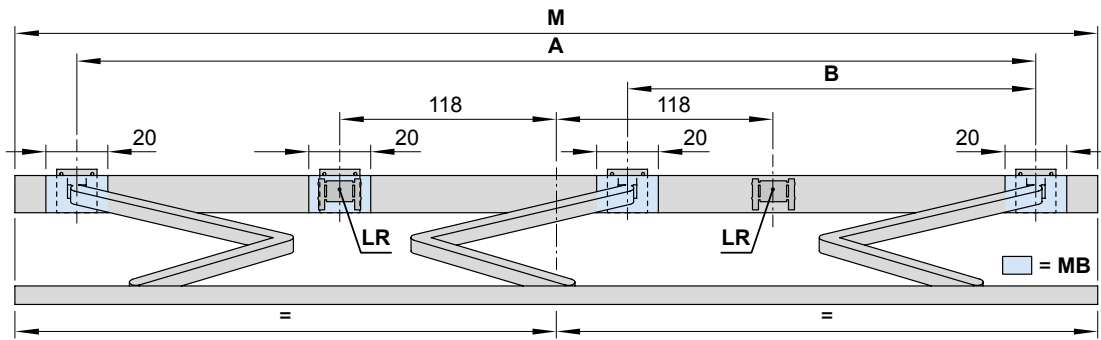
If the brackets cannot be positioned in accordance with this table, make sure the actual dimensions are noted on the order form!

The **pull-out forces** necessary for determining the correct fixing materials necessary to meet wind resistance class 2 (Beaufort 5) can be found in the password-protected dealer area of the pro.markilux.com website under "Pull-out Forces".

- A** = arm position
- BHT** = bracket width
- BP** = spreader plate **A** or **B**, to be positioned behind the folding arm
- DA** = eaves fixture brackets
- DE** = top fixture brackets
- DP** = spacer plate 71644., to be positioned behind the rolltex bearing, in the case of spreader plate **A** or **B**
- H** = **order dimension** = projection
- LR** = rolltex bearing
- M** = **order dimension** = awning width
- MB** = bracket fixture range
- PA** = markilux panel, fixture profile, width 250 mm
- W** = face fixture brackets

Bracket fixture range

Awning with 3 folding arms



dimensions in mm

Order dimensions		Awning width			
		650		700	
		601		651	
		650		700	
H		Arm position			
		A	B	A	B
H	150	—	—	600	265
	200	—	—	600	240
	250	—	—	600	230
	300	—	—	610	230
	350	613 ¹⁾	230 ¹⁾	626 ¹⁾ / 646 ^{1) 3)}	230
	400	—	—	665 ²⁾	230 ²⁾
BHT		No. of brackets No. of fixing points			
W	18	4 16			
BP		A 3 24		B 3 12	
DP		1			
PA		4 16			
DA / DE	13	4 16		4 12	

dimensions in cm

- 1) = coupled units are not available with a junction roller
- 2) = please note the minimum widths! Not available as coupled awnings
- 3) = dimension at awning with LED-Spots

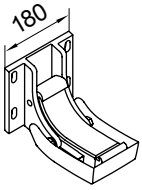
If the brackets cannot be positioned in accordance with this table, make sure the actual dimensions are noted on the order form!

The **pull-out forces** necessary for determining the correct fixing materials necessary to meet wind resistance class 2 (Beaufort 5) can be found in the password-protected dealer area of the pro.markilux.com website under "Pull-out Forces".

- A** = arm position
- BHT** = bracket width
- BP** = spreader plate **A** or **B**, to be positioned behind the folding arm
- DE** = top fixture brackets
- DA** = eaves fixture brackets
- DP** = spacer plate 74989., to be positioned behind the rolltex bearing, in the case of spreader plate **A** or **B**
- H** = **order dimension** = projection
- LR** = rolltex bearing
- M** = **order dimension** = awning width
- MB** = bracket fixture range
- PA** = markilux panel, fixture profile, width 250 mm
- W** = face fixture brackets

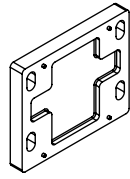
01 **Face fixture**

02 **Fixtures, fittings and accessories**



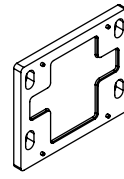
face fixture bracket
180 mm
5°-35°

74909.



spacer plate for face
fixture
180 × 150 × 20 mm
N.B.!
Stack to a max. height
of 200 mm

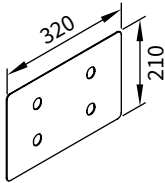
749881



spacer plate for face
fixture
180 × 150 × 12 mm

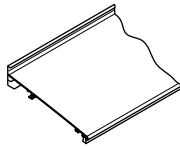
74989.

06



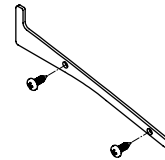
cover plate
for spacer plate and
stand-off brackets in
the case of external
insulation
320 × 210 × 2 mm

71842.



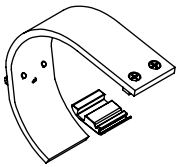
wall sealing profile
incl. brush seal
by the metre

76385. and 704241.



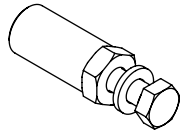
side plate
for wall sealing profile
including 2 pan-head
self-tapping screws

76386. and 2 × 735611



storm safety clip 6000
N.B! recommendation
for windy areas
Mounting type can be
used independently

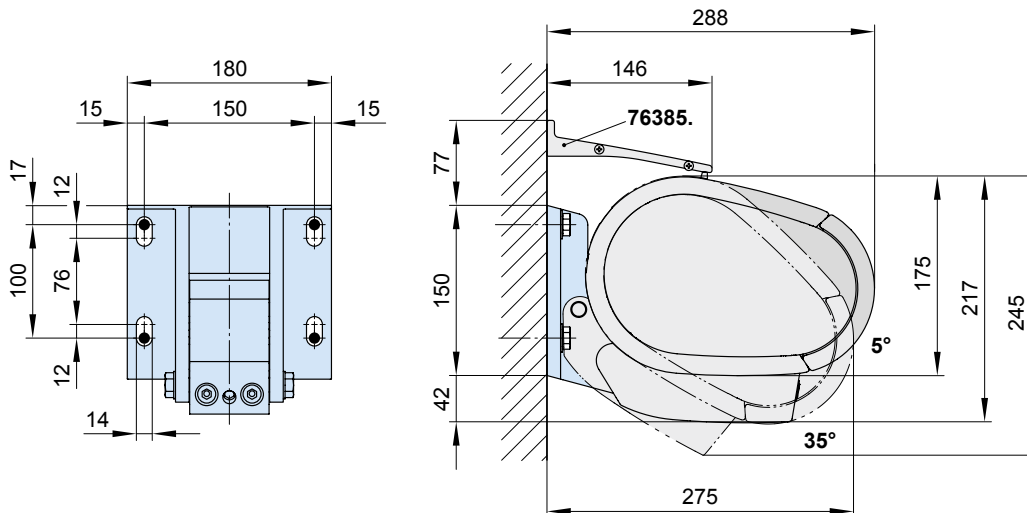
79504.



reduction bolt
pack 10 pcs

M 16 → M 12 | M 16 → M 10 | M 12 → M 10 | M 10 → M 10

15 **Face fixture, pitch 5°-35°**

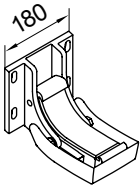


76385. = wall sealing profile (standard width = awning width (M); up to a maximum awning pitch of 70°)

dimensions in mm

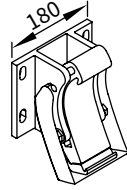
01 **Face fixture with spreader plate A**

02 Fixtures, fittings and accessories



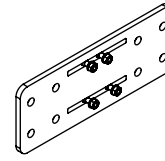
face fixture bracket
180 mm
5°-35°

74909.



face fixture bracket
180 mm
36°-70°

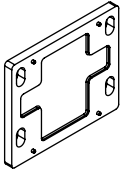
74928.



spreader plate A
430 × 160 × 12 mm

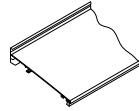
75328.

06



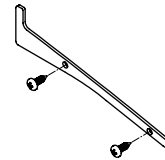
spacer plate for face
fixture
180 × 150 × 12 mm

74989.



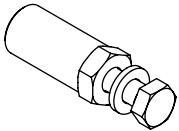
wall sealing profile
incl. brush seal
by the metre

76385. and 704241.



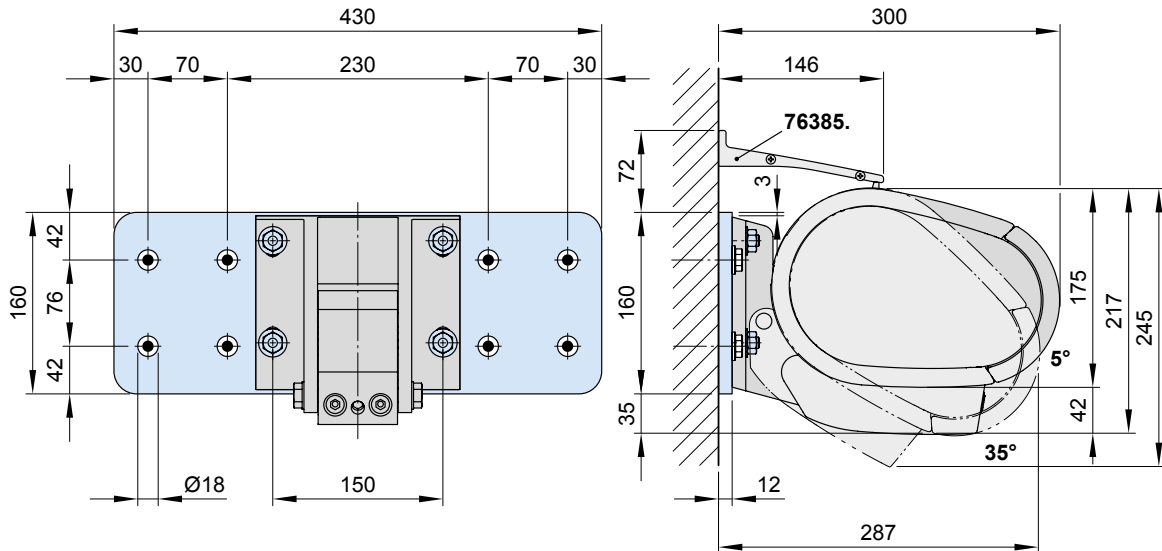
side plate
for wall sealing profile
including 2 pan-head
self-tapping screws

76386. and 2 × 735611



reduction bolt
pack 10 pcs

M 16 → M 12 | M 16 → M 10 | M 12 → M 10 | M 10 → M 10

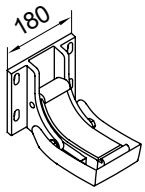
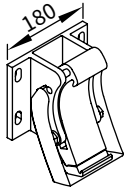
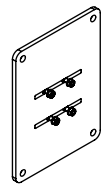
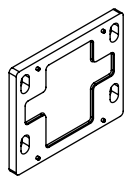
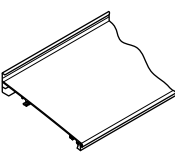
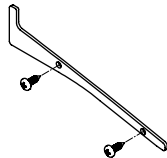
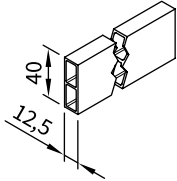
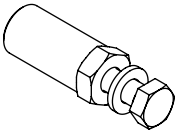


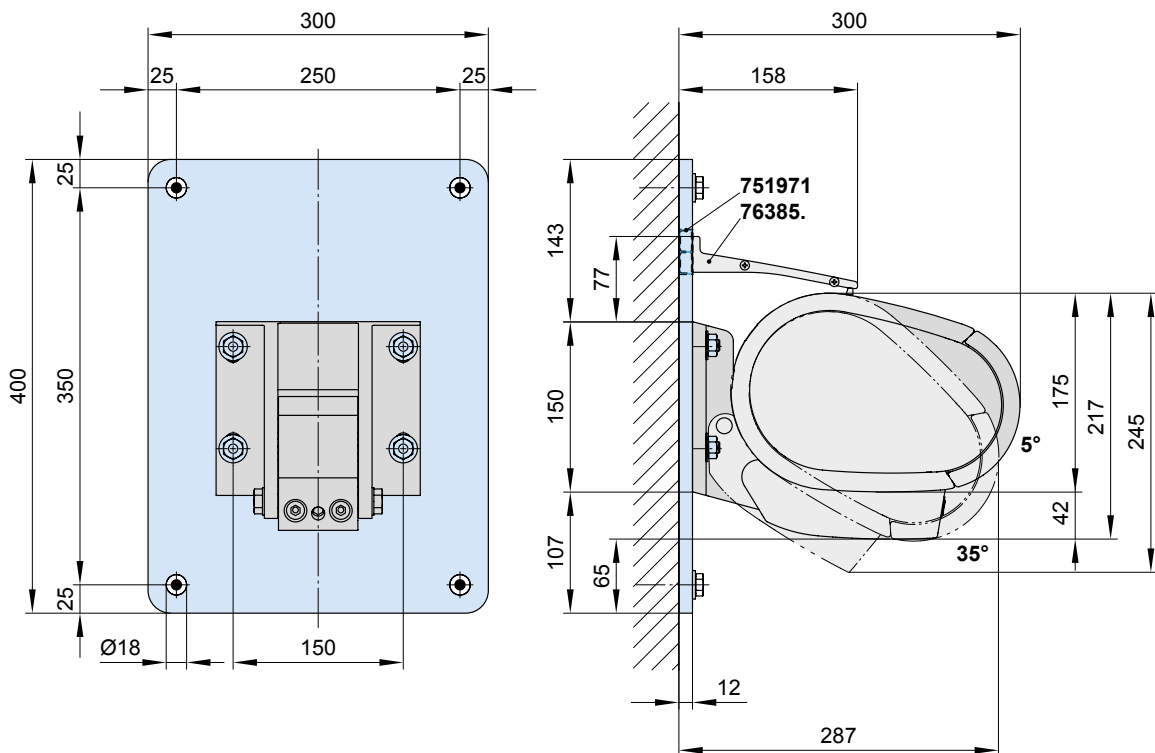
76385. = wall sealing profile (standard width = awning width (M); up to a maximum awning pitch of 70°)

dimensions in mm

Face fixture with spreader plate B

Fixtures, fittings and accessories

 <p>face fixture bracket 180 mm 5°-35°</p> <p>74909.</p>	 <p>face fixture bracket 180 mm 36°-70°</p> <p>74928.</p>	 <p>spreader plate B 300 x 400 x 12 mm</p> <p>75327.</p>
 <p>spacer plate for face fixture 180 x 150 x 12 mm</p> <p>74989.</p>	 <p>wall sealing profile incl. brush seal by the metre</p> <p>76385. and 704241.</p>	 <p>side plate for wall sealing profile including 2 pan-head self-tapping screws</p> <p>76386. and 2 x 735611</p>
 <p>stand-off strip for wall sealing by the metre</p> <p>751971</p>	 <p>reduction bolt pack 10 pcs</p> <p>M 16 → M 12 M 16 → M 10 M 12 → M 10 M 10 → M 10</p>	



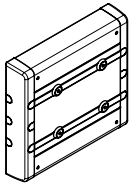
76385. = wall sealing profile (standard width = awning width (M); up to a maximum awning pitch of 70°)
751971 = stand-off strip for wall sealing profile

dimensions in mm

01
02
03
04
05
06
07
08
09
10
11
12
13
14
15
16
17

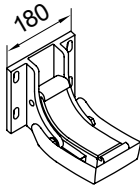
01 **Face fixture using the markilux panel 250 mm wide**

02 Fixtures, fittings and accessories



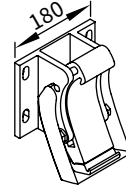
04 markilux panel
250 × 230 × 49 mm
with decorative profiles
and end caps

05 **76308.**



04 face fixture bracket
180 mm
5°-35°

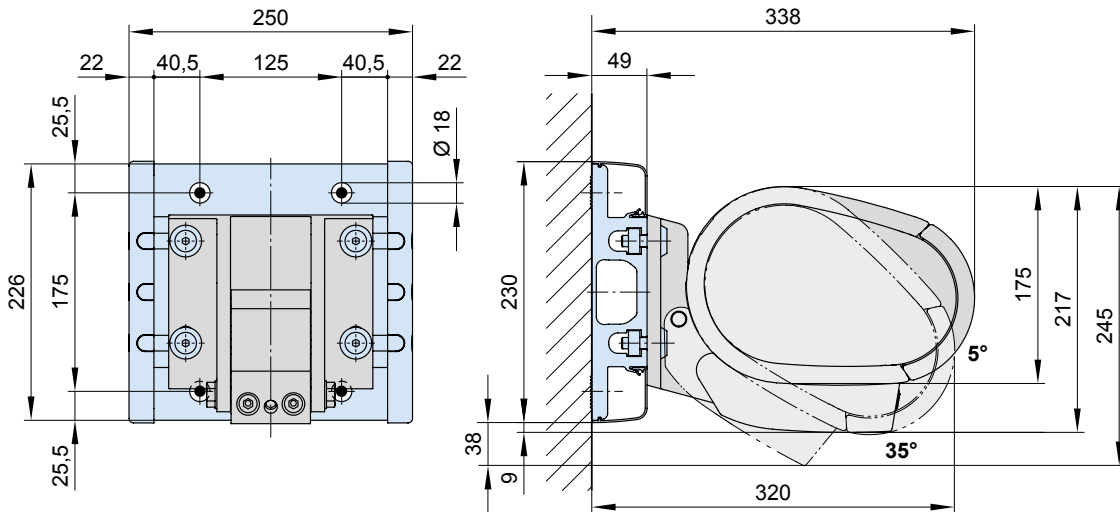
05 **74909.**



04 face fixture bracket
180 mm
36°-70°

05 **74928.**

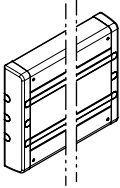
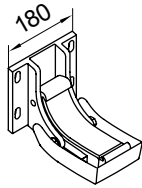
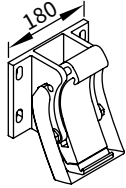
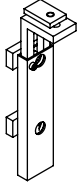
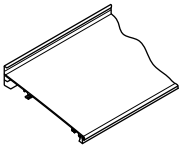
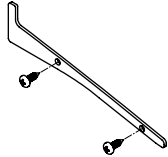
06



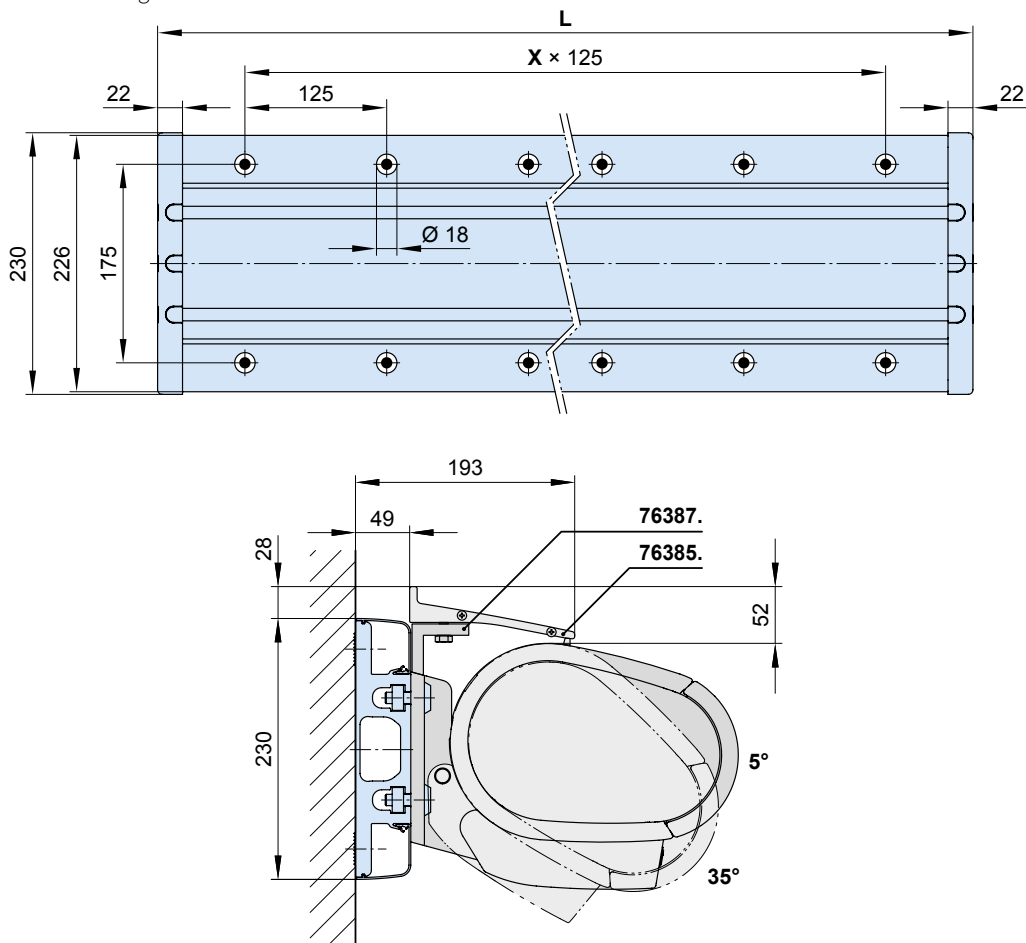
dimensions in mm

Face fixture with markilux panel continuous

Fixtures, fittings and accessories

 <p>markilux panel continuous with decorative profiles and end caps</p> <p>701104</p>	 <p>face fixture bracket 180 mm 5°-35°</p> <p>74909.</p>	 <p>face fixture bracket 180 mm 36°-70°</p> <p>74928.</p>
 <p>bracket for wall sealing profile</p> <p>76387.</p>	 <p>wall sealing profile incl. brush seal by the metre</p> <p>76385. and 704241.</p>	 <p>side plate for wall sealing profile including 2 pan-head self-tapping screws</p> <p>76386. and 2 × 735611</p>

As a **continuous fixture profile**, the markilux panel will always be supplied to order on the basis of a technical drawing prepared in the factory in accordance with the awning specification. The technical drawing shows the fixture points and pull-out forces and must be approved in writing.

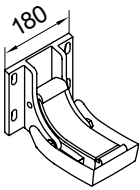


- 76385.** = wall sealing profile (standard width = awning width (M); up to a maximum awning pitch of 70°)
- 76387.** = bracket wall sealing profile
- L** = individual width, max. 7000 mm
- X** = number of distances between the spots by way of example

dimensions in mm

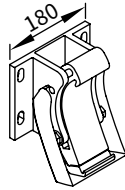
Face fixture with stand-off bracket

Fixtures, fittings and accessories



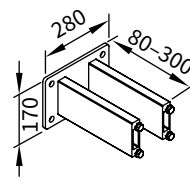
face fixture bracket
180 mm
5°-35°

74909.



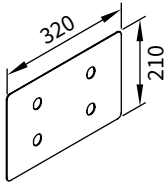
face fixture bracket
180 mm
36°-70°

74928.



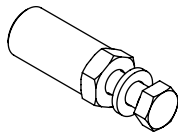
stand-off bracket
80-300 mm
incl. insulating element

77970.



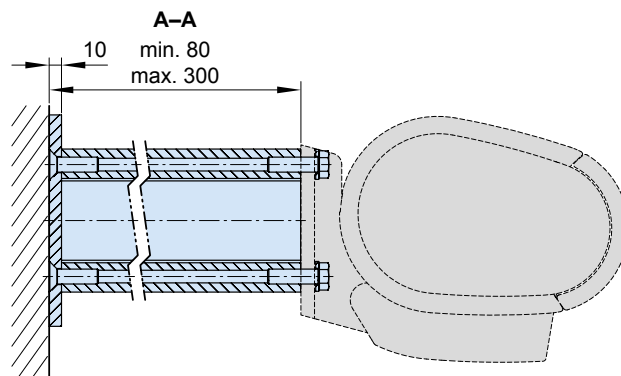
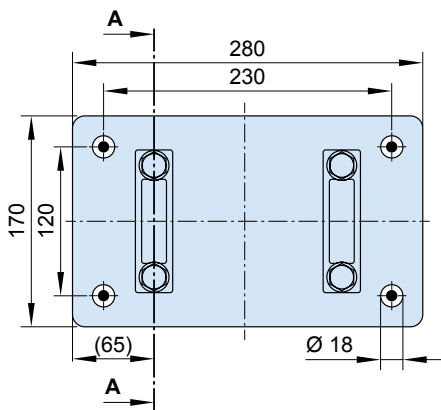
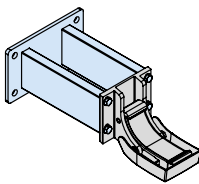
cover plate
for spacer plate and
stand-off brackets in
the case of external
insulation
320 x 210 x 2 mm

71842.



reduction bolt
pack 10 pcs

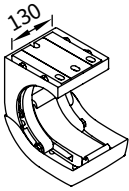
M 16 → M 12 | M 16 → M 10 | M 12 → M 10 | M 10 → M 10



dimensions in mm

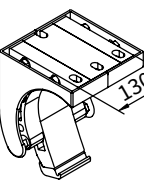
Top fixture

Fixtures, fittings and accessories



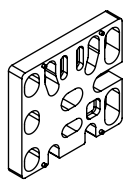
top fixture bracket
130 mm
5°-35°

74903.



top fixture bracket
130 mm
36°-70°

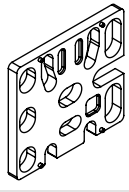
74905.



spacer plate
for face/top fixture
150 × 136 × 20 mm

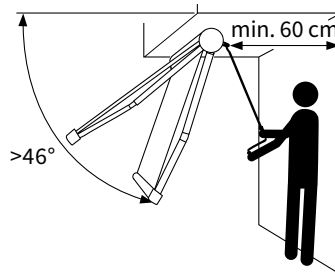
N.B!
stack to a max. height of
200 mm

716331



spacer plate for face
fixture
150 × 136 × 12 mm

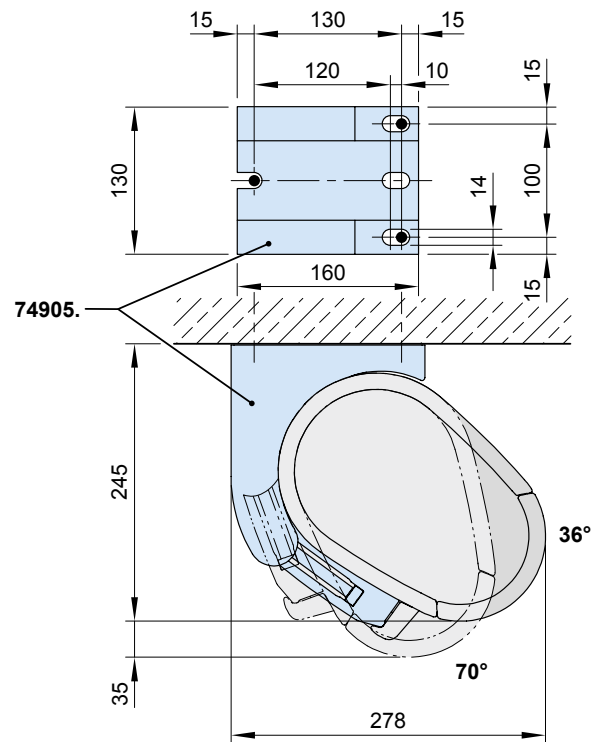
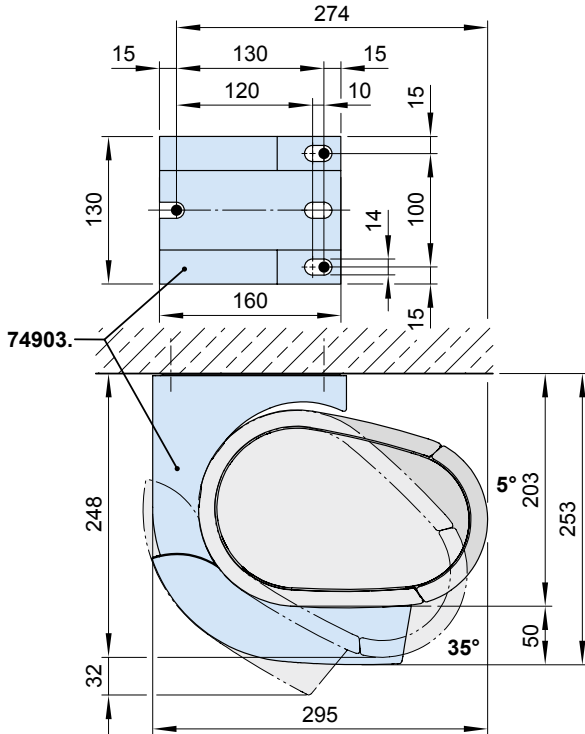
71644.



N.B.! At a pitch of more than 46° to the horizontal there must be an area accessible behind the awning at least 60 cm deep to allow operation of an RTS motor with manual override.

Top fixture, motor operation, pitch 5°-35°

Top fixture, motor operation, pitch 36°-70°

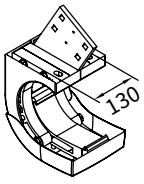


dimensions in mm

01
02
03
04
05
06
07
08
09
10
11
12
13
14
15
16
17

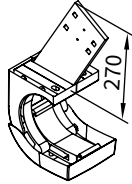
01 **Eaves fixture**

02 **Fixtures, fittings and accessories**



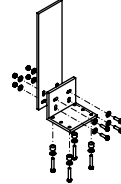
eaves fixture bracket
150 mm, 5°-35°
height of flat plate
150 mm

74944.



eaves fixture bracket
130 mm, 5°-35°
height of flat plate
270 mm

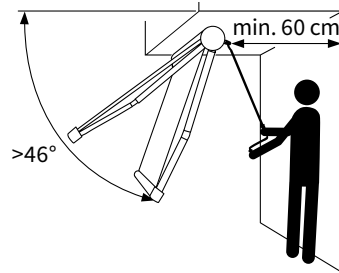
74970.



angle and plate for
eaves fixture
machine finish
height of flat plate
500 mm

741290

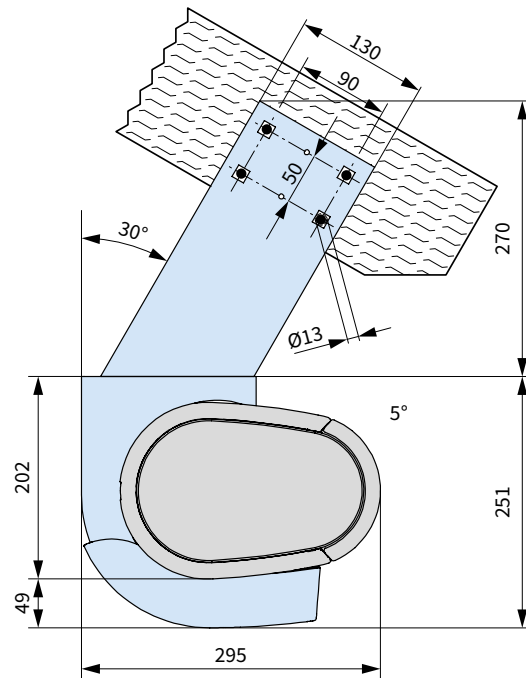
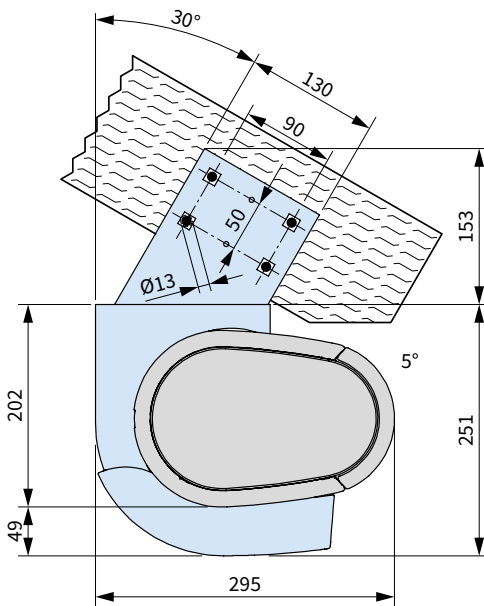
06



N.B.! At a pitch of more than 46° to the horizontal there must be an area accessible behind the awning at least 60 cm deep to allow operation of an RTS motor with manual override.

14 With eaves fixture bracket 150 mm (74944.)

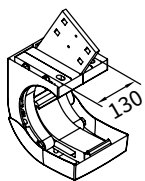
14 With eaves fixture bracket, top flat plate 270 mm (74970.)



dimensions in mm

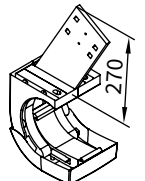
Eaves fixture with additional plate

Fixtures, fittings and accessories



eaves fixture bracket
150 mm, 5°-35°
height of flat plate
150 mm

74944.



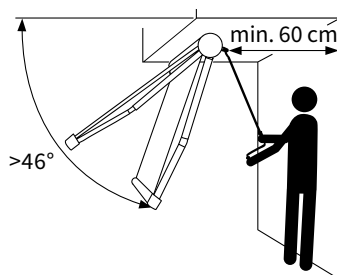
eaves fixture bracket
130 mm, 5°-35°
height of flat plate
270 mm

74970.



supplementary flat plate
for eaves fixture
260 × 60 × 12 mm

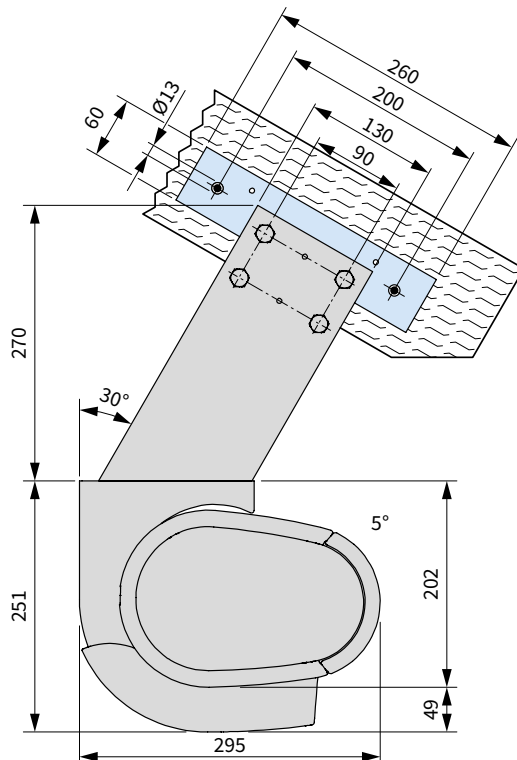
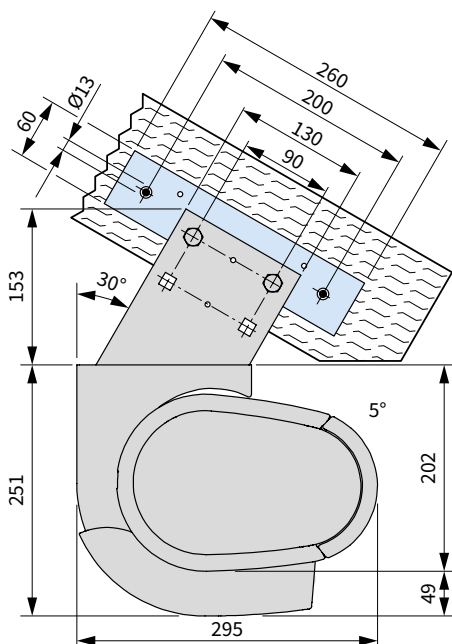
75383.



N.B.! At a pitch of more than 46° to the horizontal there must be an area accessible behind the awning at least 60 cm deep to allow operation of an RTS motor with manual override.

With eaves fixture bracket, top flat plate 150 mm (74944.)

With eaves fixture bracket, top flat plate 270 mm (74970.)

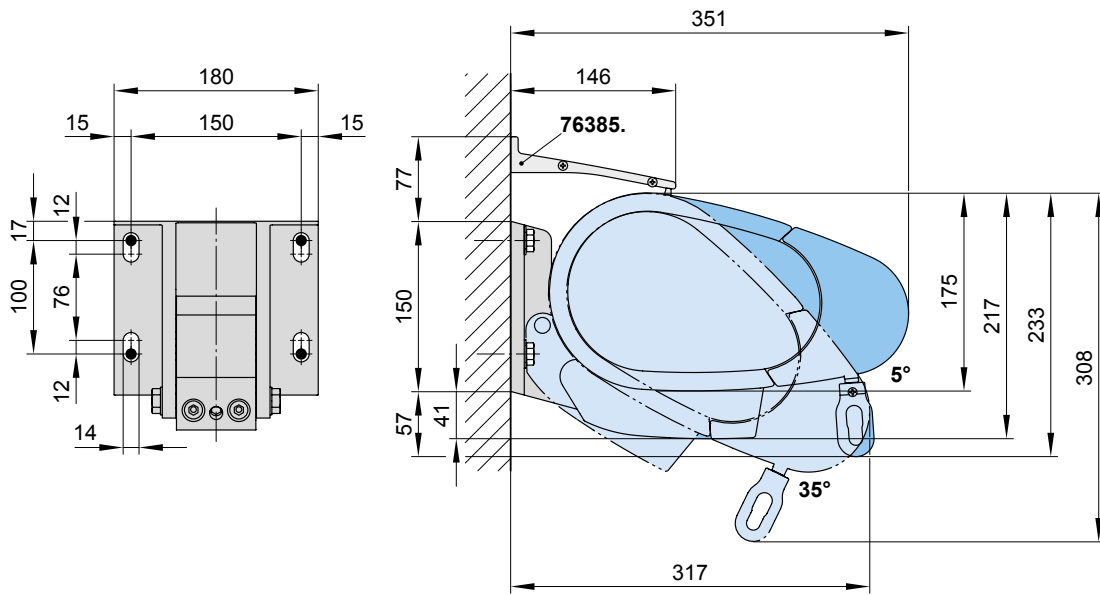


dimensions in mm

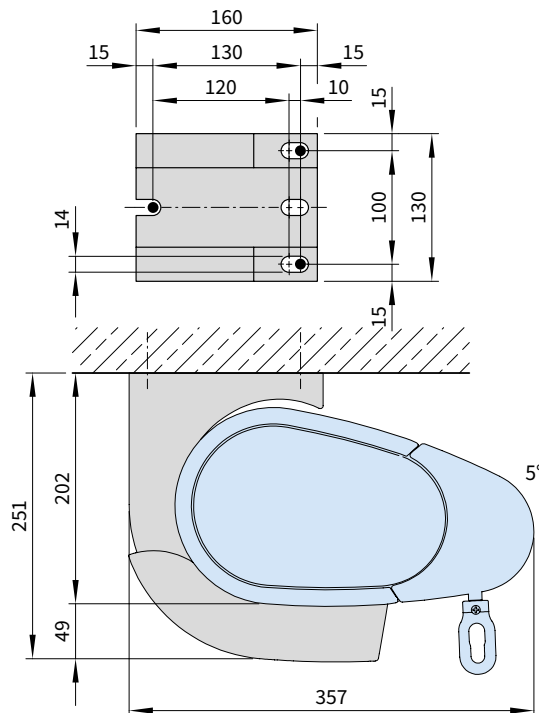
01
02
03
04
05
06
07
08
09
10
11
12
13
14
15
16
17

Awning with shadeplus

Face fixture



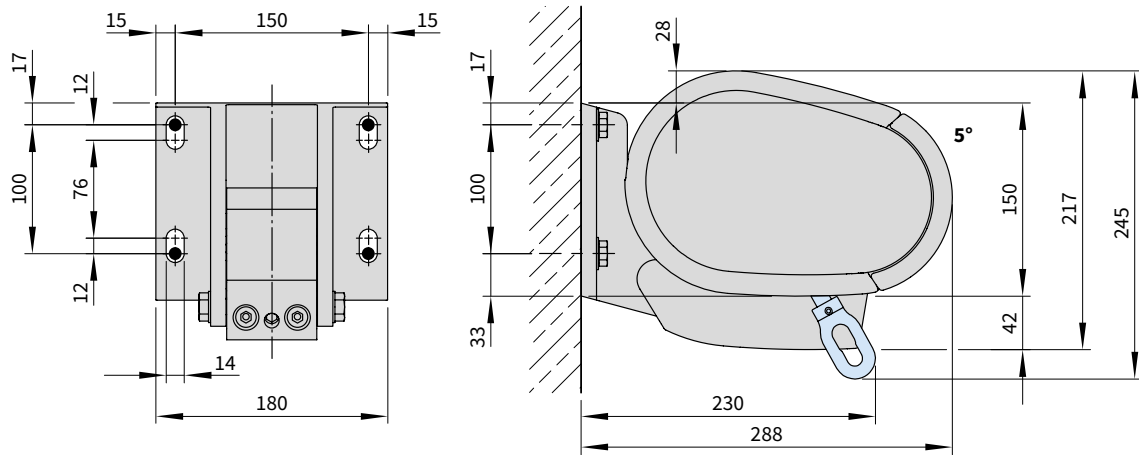
Top fixture



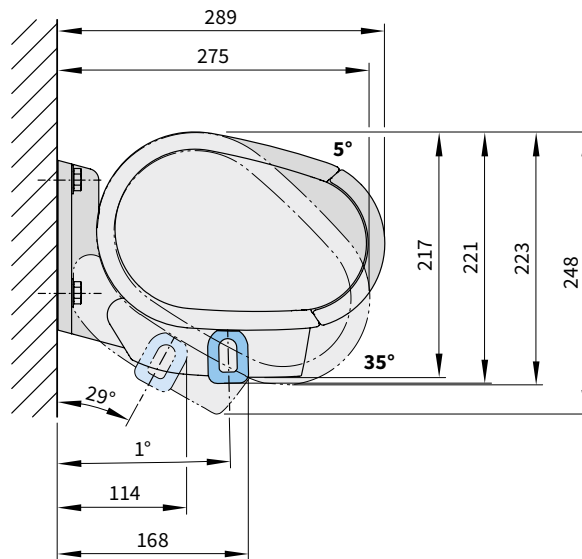
76385. = wall sealing profile (standard width = awning width (M); up to a maximum awning pitch of 70°)

dimensions in mm

Face fixture, manual operation



Face fixture, radio-controlled motor with manual override



N.B.! When face fixing a markilux 6000 with radio-controlled motor and manual override the maximum awning pitch is 35°.

01
02
03
04
05
06
07
08
09
10
11
12
13
14
15
16
17

01 **Motor cable exit point**

02

03

04

05

06

07

08

09

10

11

12

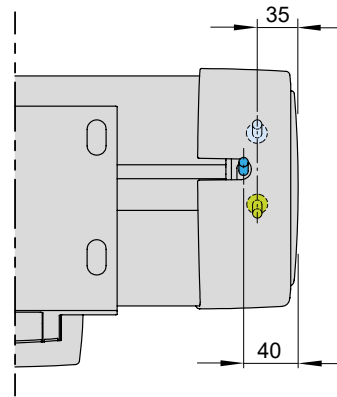
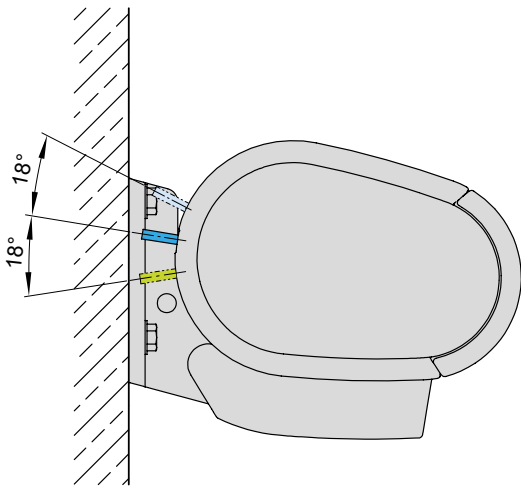
13

14

15

16

17



dimensions in mm

Hard-wired motor operation

hard-wired motor → ■

switch-operated motor shadeplus motor ¹⁾ **or** lighting ¹⁾ → ■ and ■

switch-operated motor shadeplus motor ¹⁾ **and** lighting ¹⁾ → ■ and ■ and ■

Radio-controlled motor operation io / RTS

switch-operated motor, shadeplus motor ¹⁾ **and/or** lighting → ■

1) Optional accessories