



Cassette awning

markilux MX-1 compact

A compact designer cassette awning that meets the highest architectural demands.



reddot design award
winner 2015

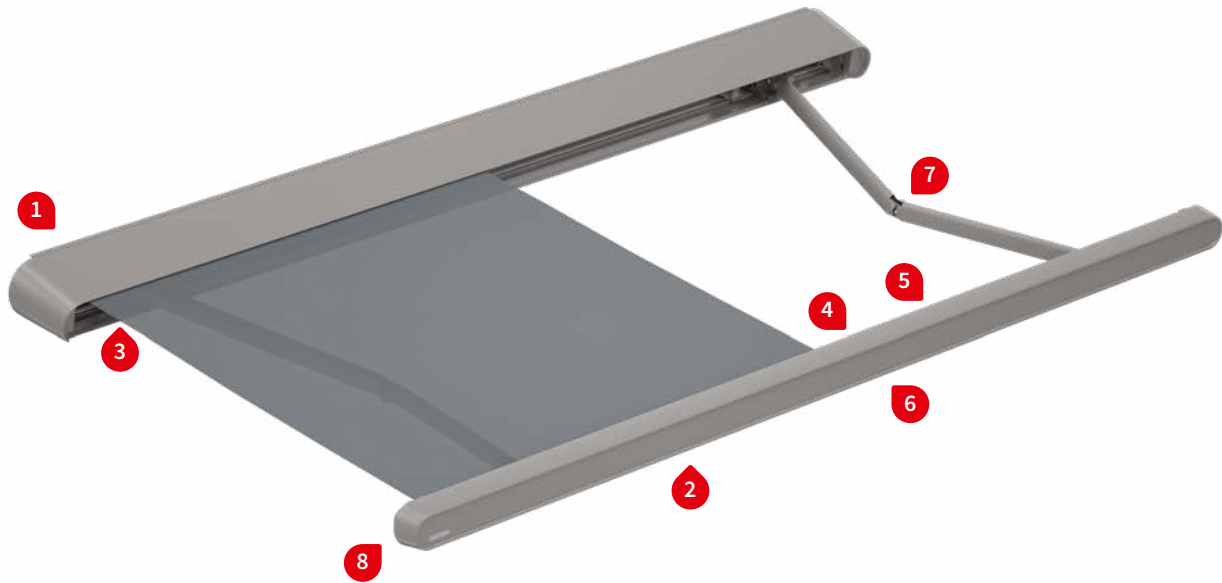


markilux.com

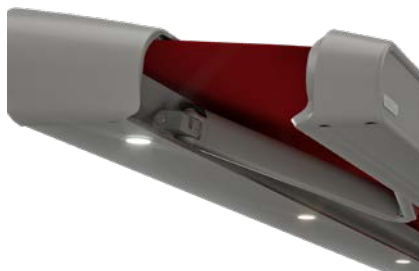
markilux
safe timeless beautiful

Product Characteristics

Wind resistance class 2
Beaufort 5 → 7.5–10.4 m/s → 28–37 km/h → 17–23 mph



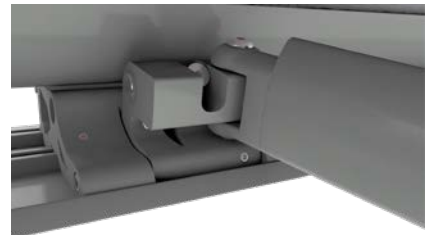
1) face fixture, LED-Spots in the cassette ¹⁾



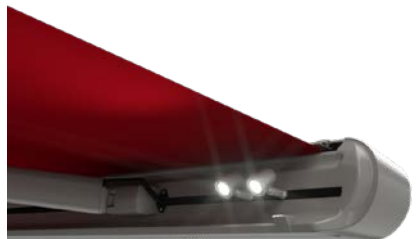
2) shadeplus, during extension ¹⁾



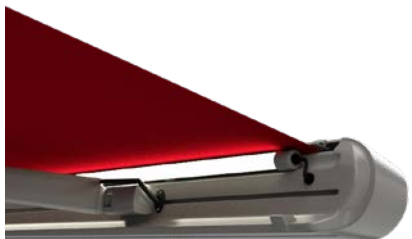
3) arm bearer with tilt device technology, integrated windlock mechanism



4) LED Spots in the front profile ¹⁾



5) LED Line in the front profile ¹⁾



6) LED ambient lighting in five colour shades ¹⁾



6) front panel with exclusive coating Selection MX ¹⁾



7) bionic tendon and hidden cable duct in the arms



8) concealed gutter with water drainage holes to the side



1) Optional accessories

Product Characteristics

Description

- full cassette awning with harmoniously crafted features and a multitude of accessory options that provide both light and shade

Special features

- radio-controlled motor io as standard
- option of shadeplus up to a projection of 365 cm – vertical protection against low-lying sun and inquisitive glances integrated into the front profile, can be operated by radio remote control
- lighting options can be combined: LED-Spots at the bottom of the housing, directional LED-Spots or an LED Line light tube in the front profile, LED ambient lighting behind the front panel – individual lighting options for an appealing atmosphere in the evening
- various screen profile and awning colours can be combined
- screen profile also available with exclusive coating in the Selection MX colour selection
- option of a silentec motor – motor noise is appreciably reduced
- the tilt device technology with integrated windlock mechanism functioning as arm bearers ensures the awning closes cleanly regardless of the pre-set pitch
- awning fits flat against the wall

Dimensions

- cassette in the standard version: depth 376 mm, height 214 mm
- single unit: minimum width 201 cm at the smallest projection of 165 cm, maximum width 700 cm at the largest projection of 415 cm

roller tube and lateral bearings

- round roller tube Ø 85 mm with keyway, galvanised steel – excellent stability, ensures near perfect cover performance even at the largest widths
- the inside of the cassette side cap functions as the bearing for the roller tube, made of aluminium, powder coated

Awning profiles

- extruded aluminium, in façade quality, powder coated
- cassette in two parts with continuous fixture keyways
- front profile with rain gutter and smooth front panel
- screen profile made of aluminium, powder coated, or of high quality perspex, transparent and dyed all the way through

Folding arms

- profiles in extruded aluminium, in façade quality, powder coated
- moving parts made of drop-forged aluminium – the arms are therefore extremely fracture resistant
- pivot bolts in stainless steel run in Teflon-coated bronze bushes – practically maintenance free, virtually silent and extremely hard wearing
- power transference via the innovative bionic tendon at the elbow joint, made of high tensile, hightech fibres – low in friction, noiseless, impervious to corrosion and UV resistant, independently tested by the Fraunhofer Institute

End caps

- the designer end caps for the cassette are made of high-quality plastic, powder coated
- the designer end caps for the front profile are made of high-quality plastic, powder coated, with water drainage holes

Fixture brackets

- face fixture
- extruded aluminium, powder coated
- awning pitch adjustment range 5° to 25°
- spacer plates, stand-off brackets and other accessories are available

01 **Frame and styling panel colours**

02 markilux frame colours without surcharge

03 traffic white, RAL 9016

metallic aluminium, RAL 9006

grey brown, similar to RAL 8019



06 off-white textured finish, 5233 ¹⁾

stone grey metallic, 5215 ¹⁾

anthracite metallic, 5204 ¹⁾



09

10

11

havana brown textured finish, 5229 ¹⁾



Non-standard powder-coated finish

Bespoke frame colours incur a surcharge – matt, metallic, finely textured and pearl finishes as well as other colour ranges (DB, Tiger etc.) on request. All frame colours are available at a surcharge with enhanced corrosion protection.

Colours may differ slightly from those depicted in both hue and finish.

1) textured finish

12

13

14

15

16 **Combination options**

All standard or ambiente lighting front panel colours can be freely combined with the standard frame colours.



Additional Selection MX front panel colours

Recommended colour combinations

SMX-01 Copper green with patina
Frame anthracite metallic, 5204
Awning cover 310 58



SMX-02 Brass with dark patina
Frame off-white textured finish, 5233
Awning cover 309 07



SMX-03 Bronze dark-patinated
Frame havana brown textured finish, 5229
Awning cover 313 87



SMX-04 Matt black / silver effect lacquer
Frame anthracite metallic, 5204
Awning cover 310 28



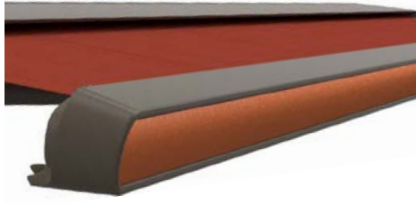
SMX-05 Matt white/silver special effect lacquer
Frame off-white textured finish, 5233
Awning cover 310 09



SMX-06 Silver grey special effect lacquer
Frame stone grey metallic, 5215
Awning cover 310 18



SMX-07 Amber orange metallic matt
Frame havana brown textured finish, 5229
Awning cover 314 83



SMX-08 Pebble beige metallic matt
Frame off-white textured finish, 5233
Awning cover 314 87



SMX-09 Ruby red metallic matt
Frame anthracite metallic 5204
Awning cover 421 30



SMX-10 Emerald green metallic matt
Frame Havana brown textured finish 5229
Awning cover 411 61



Notes with regard to selecting colours from the markilux Selection MX range

Every front panel finished in a coating from the Selection MX range is unique. In a complex procedure, an exclusive look is created by using several layers of lacquer. During this process, the resulting colour and colour texture are influenced by different factors.

For technical reasons, a slight two-tone effect, variations in the degree of gloss and colour hue as well as small variations in colour between subsequent coats of paint in the same tone may be in evidence. The colour texture is always unique, particularly in the case of multi-layered coatings. The compound colour tone SMX-10 Emerald green metallic is an interference colour, which has an iridescent effect depending on the light incidence and the viewing angle.

You are free to combine any Selection MX front panel colour with any frame colour.

Colours may differ slightly from those depicted in both hue and finish.

01

LED ambient lighting

02

During the daytime, switched off

light ivory, similar to RAL 1015

yellow, similar to RAL 1003

red, similar to RAL 3003

03



04

05

06

traffic white, similar to RAL 9016

yellow green, similar to RAL 6018

07

08

09



10

11

During the evening, switched on

light ivory, similar to RAL 1015

yellow, similar to RAL 1003

red, similar to RAL 3003

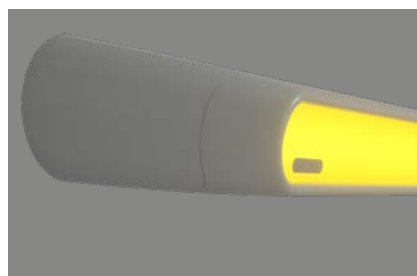
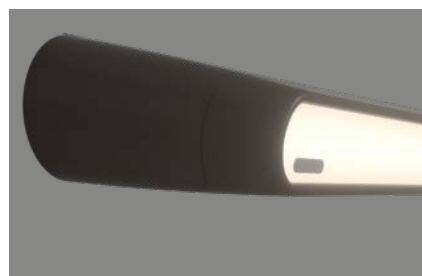
12

13

14

15

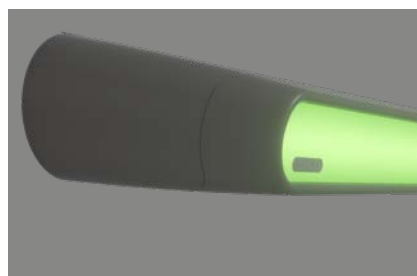
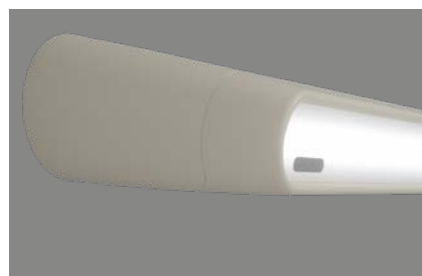
16



17

traffic white, similar to RAL 9016

yellow green, similar to RAL 6018



Colours may differ slightly from those depicted in both hue and finish.

Dimensions and configuration options

Single unit

		Awning width										Minimum width			
		250	300	350	400	450	500	550	600	650	700	Motor			
Order dimensions		201 250	251 300	301 350	351 400	401 450	451 500	501 550	551 600	601 650	651 700				
	H	165	215	265	315	365	415 ²⁾								
		1)										214	201	—	—
		—	1)									264	251	—	—
		—	—	1)								314	301	—	—
		—	—	—	1)							364	351	—	—
		—	—	—	—	1)				1)		427	414	661	648
		—	—	—	—	—	1)		—	—	1)	477	464	—	698

dimensions in cm

- 1) = please note the minimum widths!
- 2) = drop valance not available
- H = projection

- = 2 folding arms, 2 brackets
- = 2 standard arms 3 brackets, 1 rolltex bearings
- = 3 standard arms, 4 brackets, 2 rolltex bearings

- = 2 standard arms
- = 2 bespoke arms (surcharge)
- = 3 standard arms
- = 3 bespoke arms (surcharge)

Operation

	standard	optional
crank handle	—	—
spring-assisted crank handle	—	—
hard-wired motor	—	✓
silentec motor (optionally with an external io / RTS receiver) ¹⁾	—	✓
radio-controlled motor io, 868 MHz	✓	—
radio-controlled motor RTS, 433 MHz	—	✓
868 MHz radio-controlled motor io with manual override ¹⁾	—	—

1) For awnings with a maximum of 2 arms

Coupled awnings

not available

Awning cover

	fabric pattern no.	standard	optional
sunvas	300.. - 315..	✓	—
sunsilk	324.. / 325.. / 328.. / 369..	✓	—
sunbow	411.. - 427..	✓	—
smart art	340..	—	✓
perla FR	371.. / 372..	—	✓

Shadeplus¹⁾

	standard	optional
height 170 cm		
max. projection 365 cm		
crank handle	—	—
hard-wired motor	—	✓
radio-controlled motor io, 868MHz	✓	—
radio-controlled motor RTS, 433MHz	—	✓
fabric pattern sunvas / sunsilk / sunbow / transolair / vuscreen Alu / Serge 600		

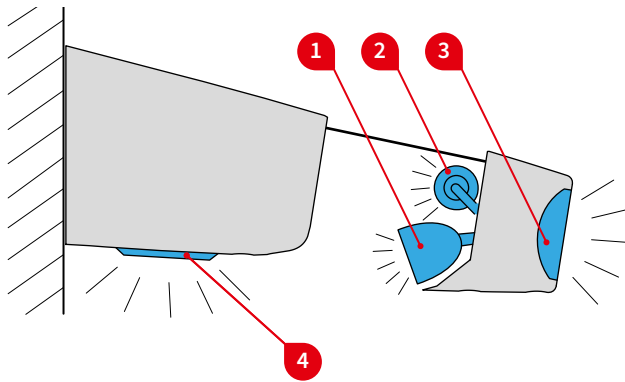
1) Only available in plain seamless fabrics (oversized, fabric width >120 cm) or in plains with a horizontal joint (fabric width 120 cm).

01	Optional accessories
	drop valance, motor operation
02	LED Spots in the cassette
	LED-Line ¹⁾ in the front profile
03	LED Spots ¹⁾ in the front profile
	LED ambient lighting in the front profile
04	valance
	infrared heater 2500 W
05	infrared heater 2500 W with integrated radio-controlled receiver 868 MHz io

1) LED-Line and LED-Spots cannot be combined with one another. Important background information can be found in the chapter "Optional Accessories"

Fixture options	face fixture bracket 280 × 180 mm	72611.
	face fixture bracket A 300 × 180 mm	72714.
	fixture plate B 300 × 400 × 12 mm	75327.
	stand-off bracket 80–300 mm	77970.

Lighting options



Lighting options	1) LED Spots ¹⁾ in the front profile
	2) LED-Line ¹⁾ in the front profile
	3) LED ambient lighting in the front profile
	4) LED Spots in the cassette

1) LED Line and LED-Spots cannot be combined with one another

Controls	standard	optional
on/off switch	—	✓
radio-controlled dimmer io 868 MHz	✓	—
radio-controlled dimmer RTS 433 MHz	—	✓

1) / 4) Technical specification LED-Spots

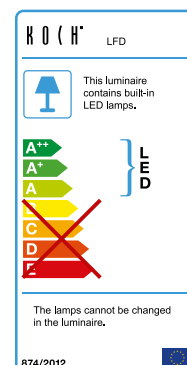
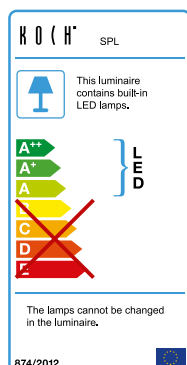
operating voltage	230 V, 50 Hz
power output of one LED spotlight	5 W
light source	LED (12 V)
number of transformers	1 unit
light temperature	warm white
IP protection class	IP 44
service life	ca. 20.000 h

2) / 3) Technical specification LED-Line / -ambient lighting

operating voltage	230 V, 50 Hz
power output per metre	10 W ¹⁾
light source	LED (12 V)
number of LEDs	120 pieces / m ²⁾
number of transformers	1 unit
light temperature	warm white
IP protection class	IP 44
service life	ca. 15.000 h ³⁾

In the case of LED ambient lighting in awning widths > 600 cm:

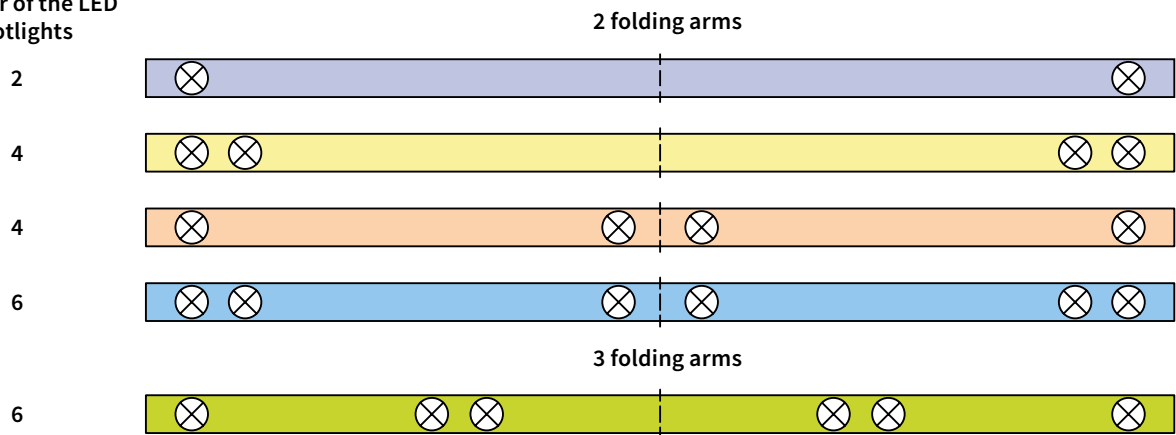
- 1) 9 W / m
- 2) 90 pcs / m
- 3) approx. 20.000 h



Lighting options

1 LED spotlight distribution in the front profile

Number of the LED spotlights



1 Number and distribution of the LED spotlights in the front profile

Awning width	Projection					
	165	215	265	315	365	415
228-247	2	—	—	—	—	—
248-250	4	—	—	—	—	—
251-262	—	—	—	—	—	—
263-277	4	—	—	—	—	—
278-282	4	2	—	—	—	—
283-297	6	2	—	—	—	—
298-300	6	4	—	—	—	—
301-312	—	—	—	—	—	—
313-327	4	4	—	—	—	—
328-332	4	4	2	—	—	—
333-347	6	6	2	—	—	—
348-350	6	6	4	—	—	—
351-358	—	—	—	—	—	—
359-378	4	4	4	—	—	—
379-397	6	6	6	2	—	—
398-400	6	6	6	4	—	—
401-418	4	4	4	2	—	—
419-440	6	6	6	4	—	—
441-450	6	6	6	4	2	—
451-458	4	4	4	4	2	—
459-460	6	6	6	6	2	—
461-490	6	6	6	6	4	—
491-500	6	6	6	6	4	2
501-518	4	4	4	4	4	2
519-550	6	6	6	6	6	4
551-568	4	4	4	4	4	—
569-600	6	6	6	6	6	—
601-650	6	6	6	6	—	—
651-700	6	6	6	—	—	—

dimensions in cm

01 **4** Number and distribution of the LED-Spots in the cassette

Awning width	No. of spotlights	LA	LG (g)
203-250	2	103	103
251-300	3	82	164
301-350	3	103	206
351-400	4	82	246
401-450	4	103	309
451-500	4	103	309
501-550	6	82	410
551-600	6	82	410
601-650	6	103	515
651-700	6	103	515

dimensions in cm

08

09

10

11 **Cable exit top**

Standard

12

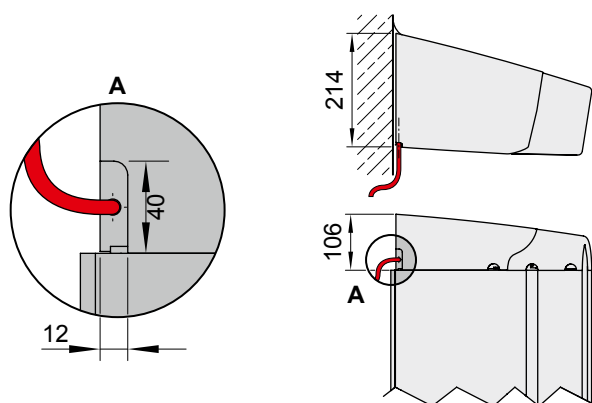
13

14

15

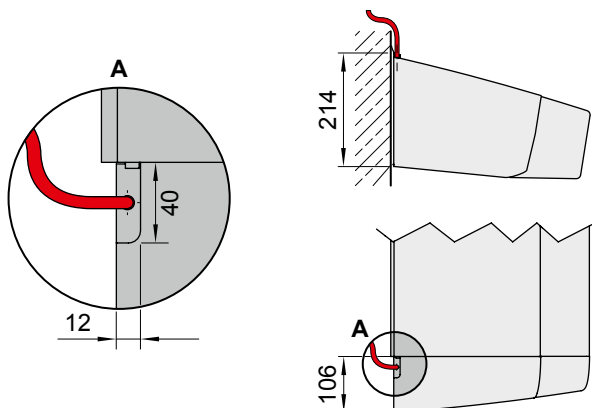
16

17



Cable exit top

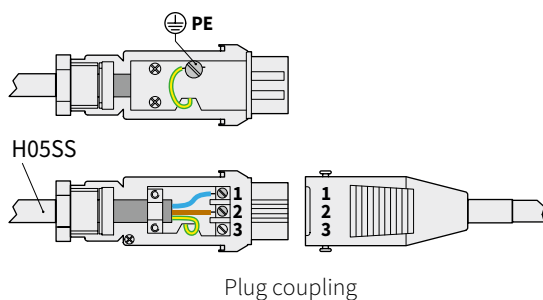
Optional



dimensions in mm

Electrical connection

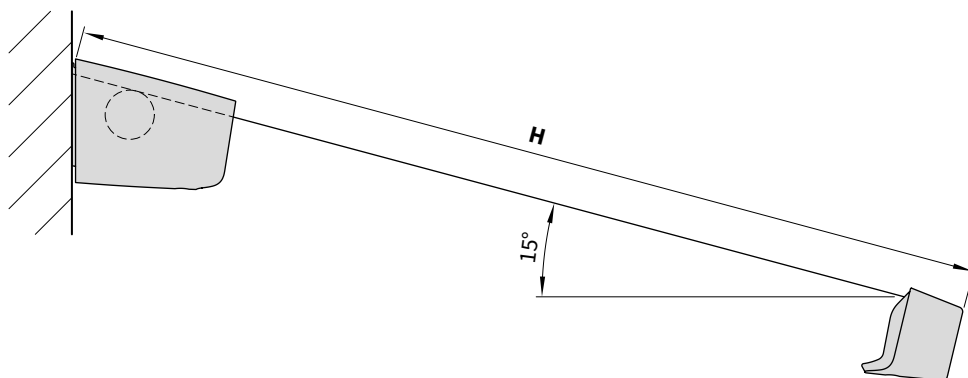
The awning is connected with a cable (also with optional equipment with illumination and shadeplus) via plug coupling.



- 3 × 1,0 mm²**
- 1** = Neutral N (blue)
- 2** = Live L (brown)
- 3** = Free
- PE** = Earthing equipment (green / yellow)

Definition of unit height

The nominal projection (H) is measured with the awning extended at a pitch (W) of approx. 15° from the back of the fixture brackets over the cover to the leading edge of the front profile. For the tolerances in the extension is + 40 / - 40 mm.

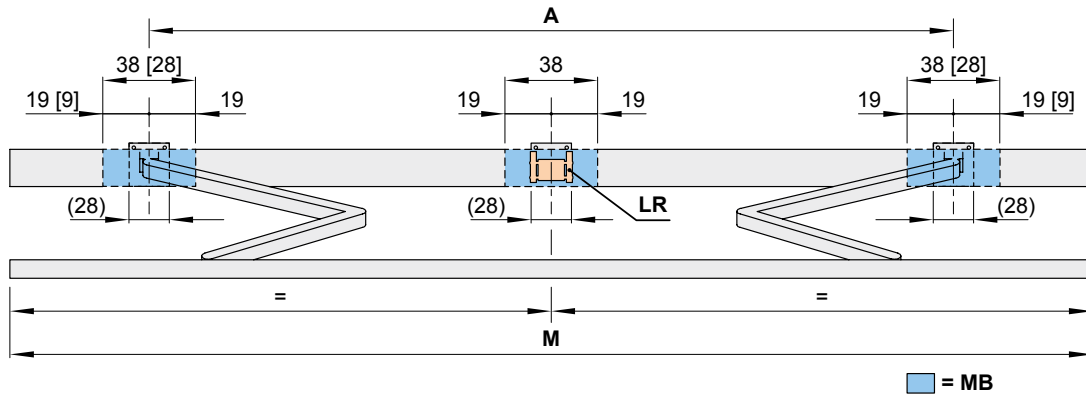


H = order dimension = projection

01
02
03
04
05
06
07
08
09
10
11
12
13
14
15
16
17

Bracket fixture range

Awning with 2 folding arms



dimensions in cm

		Awning width								
		250	300	350	400	450	500	550	600	650
Order dimensions		201	251	301	351	401	451	501	551	601
		250	300	350	400	450	500	550	600	650
		Arm position A								
H	165	169 ¹⁾	204	254	300	340	380	440	490	510
	215	—	219 ¹⁾	254	300	340	380	440	490	510
	265	—	—	269 ¹⁾	300	340	380	440	490	510
	315	—	—	—	319 ¹⁾	340	380	440	490	510
	365	—	—	—	—	382 ¹⁾	390	440	490	—
	415	—	—	—	—	—	432 ¹⁾	440	—	—
BHT		No. of brackets No. of fixing points								
W	28	2 8				3 12				
BP		A 2 16 B 2 8				A 2 16 und 1 x 72611. 4B 3 12				

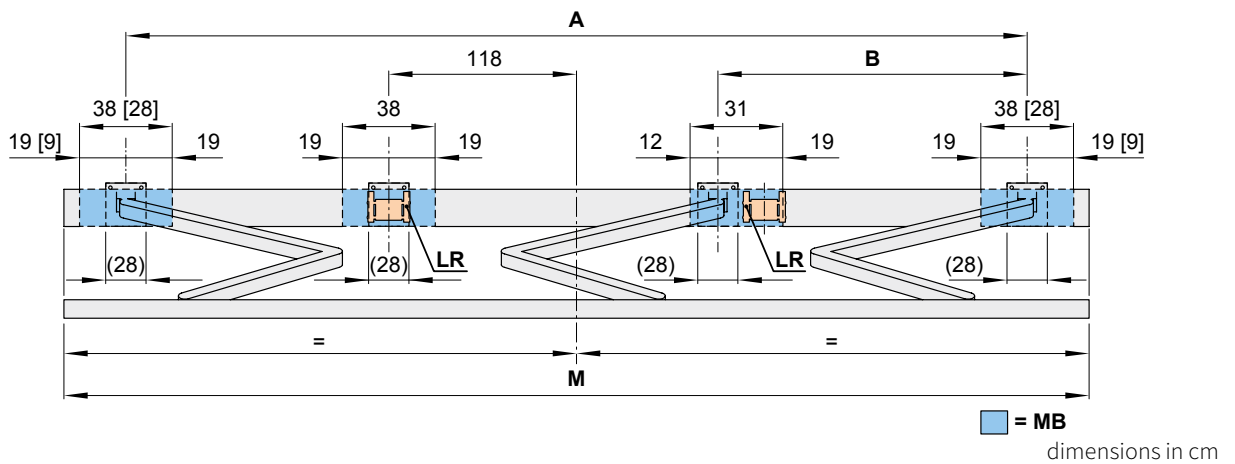
dimensions in cm

1) Dimension **A** is only valid for standard arms! In the case of bespoke arms: **A** – 13 cm. please note the minimum widths!
 If the brackets cannot be positioned in accordance with this table, make sure the actual dimensions are noted on the order form!

- [...] = dimensions only apply with minimum widths
- (...) = width of standard fixture brackets
- A** = arm position
- BHT** = bracket width
- BP** = spreader plate **A** or **B**, to be positioned behind the folding arm
- H** = **order dimension** = projection
- LR** = a rolltex bearing with accompanying bracket is always placed under a central seam (depends on the awning size)
- M** = **order width** = awning width
- MB** = bracket fixture range
- W** = face fixture

Bracket fixture range

Awning with 3 folding arms



		Awning width									
		650					700				
Order dimensions		648	651	675	651	661					
		650	674	700	660	700					
		Arm position									
		A	B	A	B	A	B	A	B	A	B
H	165	—	—	570	184	590	194	—	—	—	—
	215	—	—	570	184	590	194	—	—	—	—
	265	—	—	570	184	590	194	—	—	—	—
	315	—	—	570	184	590	194	—	—	—	—
	365	603 ¹⁾	200 ¹⁾	—	—	—	—	606 ¹⁾	202 ¹⁾	616	207
	415	—	—	—	—	—	—	—	—	653 ¹⁾	226 ¹⁾
	BHT	No. of brackets No. of fixing points									
W	28	4 16									
BP		A 3 24 und 1 × 72611. 4					B 4 16				

dimensions in cm

1) = please note the minimum widths!

If the brackets cannot be positioned in accordance with this table, make sure the actual dimensions are noted on the order form!

[...] = dimensions only apply with minimum widths

(...) = width of standard fixture brackets

A = arm position

B = arm position

BHT = bracket width

BP = spreader plate A or B, to be positioned behind the folding arm

H = **order dimension** = extension

LR = a rolltex bearing with accompanying bracket is always placed under a central seam (depends on the awning size)

M = **order width** = awning width

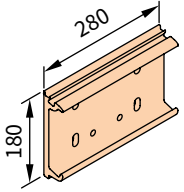
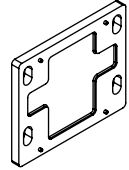
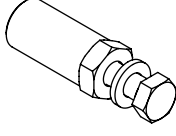
MB = bracket fixture range

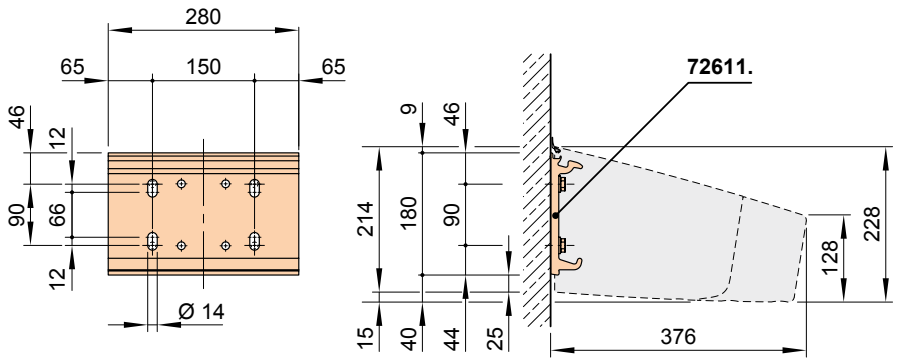
W = face fixture

Face fixture

Fixtures, fittings and accessories

01
02
03
04
05
06
07
08
09
10
11
12
13
14
15
16
17

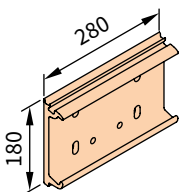
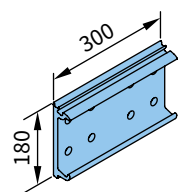
 <p>face fixture bracket 280 mm</p> <p>72611.</p>	 <p>spacer plate for face fixture 180 × 150 × 12 mm</p> <p>74989.</p>	 <p>reduction bolt pack 10 pcs</p> <p>M 16 → M 12 M 16 → M 10 M 12 → M 10 M 10 → M 10</p>
---	---	--



dimensions in mm

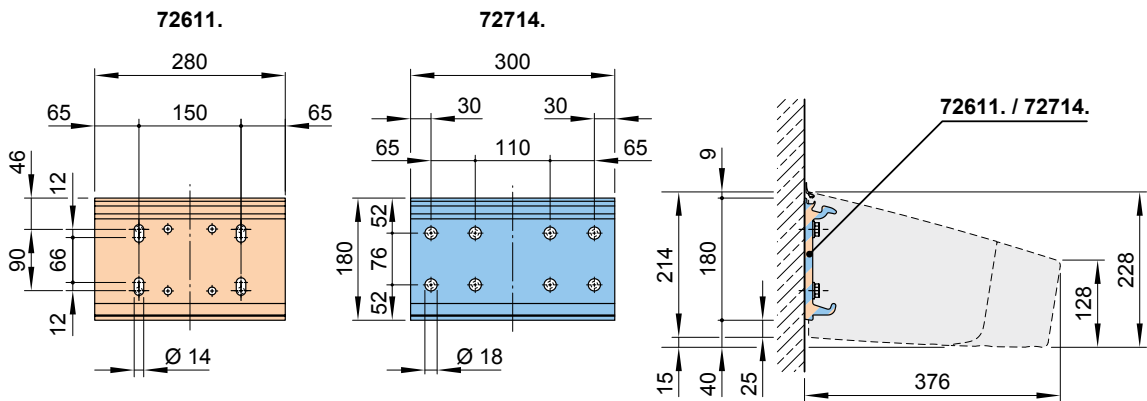
Face fixture with wall bracket A

Fixtures, fittings and accessories

 <p>face fixture bracket 280 mm</p> <p>72611.</p>	 <p>face fixture A 300 mm 8-hole</p> <p>72714.</p>
---	--

Position of face fixture brackets in the case of 2 folding arms

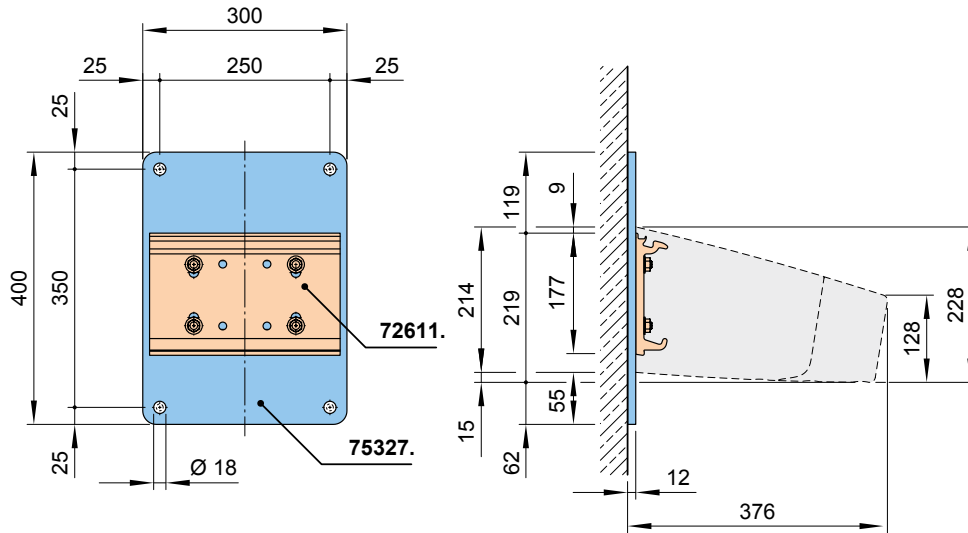
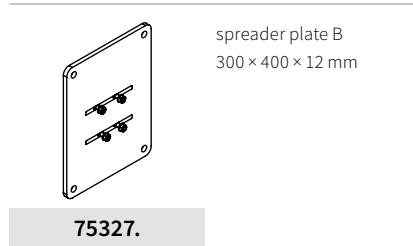
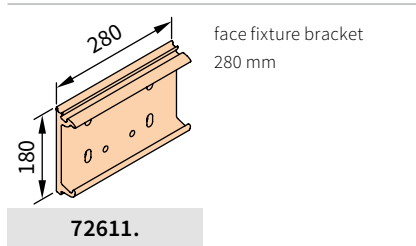
Position of face fixture brackets in the case of 3 folding arms



dimensions in mm

Face fixture with spreader plate B

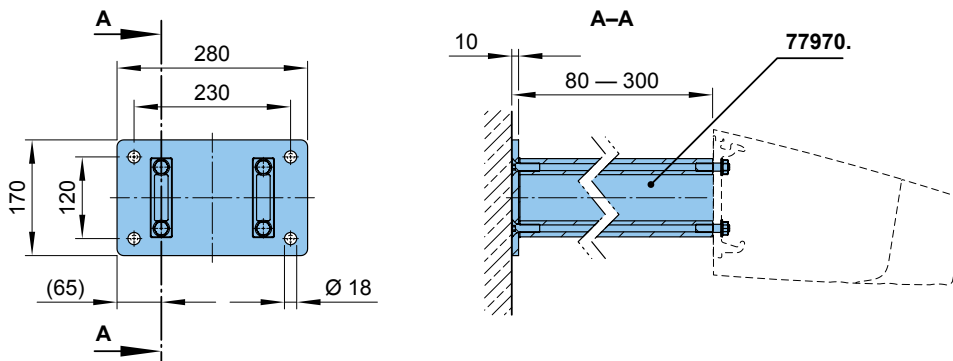
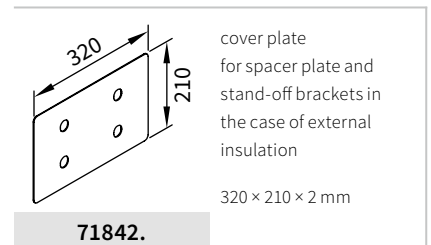
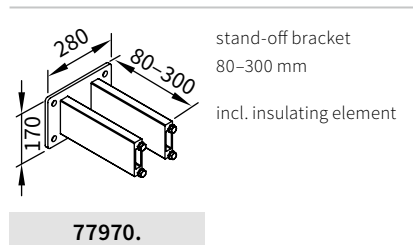
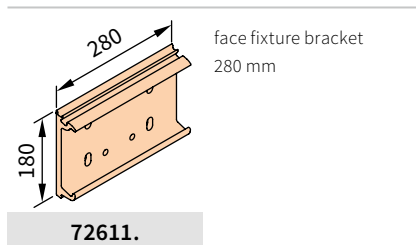
Fixtures, fittings and accessories



dimensions in mm

Face fixture with stand-off bracket

Fixtures, fittings and accessories



dimensions in mm

01
02
03
04
05
06
07
08
09
10
11
12
13
14
15
16
17

01

02

03

04

05

06

07

08

09

10

11

12

13

14

15

16

17