



Vertical cassette blind

## markilux 776 / 776 tracfix

The perfect sun protection solution which also maintains your privacy – the tensioned vertical cassette blind that can shade large surface areas.



reddot design award  
winner 2017



[markilux.com](http://markilux.com)

**markilux**  
safe timeless beautiful

01 **Product Characteristics**

Wind resistance class 2 | 3 (depending on size)  
Beaufort 5 → 28–37 km/h → 7.5–10.4 m/s → 17–23 mph |  
Beaufort 6 → 38–48 km/h → 10.5–13.4 m/s → 24–30 mph

02 side view: motor drive, flat track bracket

side view: crank handle operation, flat track bracket

03

04

05

06

07



08

tracfix cover guidance – no gap between cover and track <sup>1)</sup>  
track bracket 80 mm

reveal fixture using angled bracket (fixture type 15)

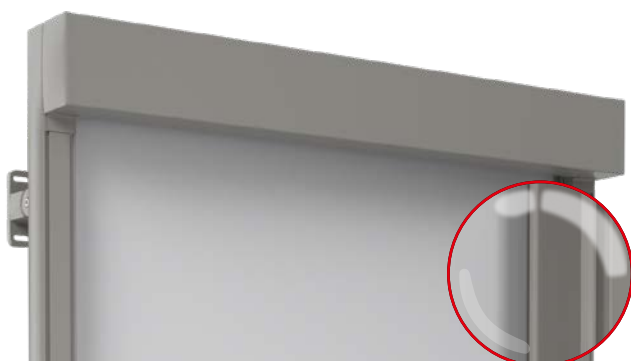
09

10

11

12

13



14

when extended, the front profile finishes flush with the end of  
the guide tracks

fixture to a square markilux syncra post, as seen from the inside

15

16

17

18

19



fitted to a round markilux pergola post viewed from inside



1) Optional accessories

## Product Characteristics

### Description

- vertical cassette blind with angular design characteristics. The ingenious tensioning system and the sturdy design allow areas of up to 24 m<sup>2</sup> to be shaded

### Special features

- fully encompassing cassette that protects the cover perfectly
- tried and tested tensioning system with drive belts and integrated gas pistons – delivers optimum cover tension in any phase of extension
- tracfix optional: the continuous lateral cover guidance system that leaves no gap between the cover and guide tracks – gives improved wind stability and a cleaner appearance
- panorama window optional, the transparent window made of a special foil that makes a perfect view both in and out possible – for both private and commercial applications
- the broad range of brackets with patented clip-on system offers individual fixture solutions, from discrete to conspicuous
- can be combined perfectly with other markilux awning systems

### Dimensions

- single unit: 60–600 cm in width, maximum unit height 600 cm (depending on the width)
- maximum dimensions, width × unit height: 400 × 600 cm / 500 × 450 cm / 550 × 400 cm / 600 × 350 cm (without tracfix)
- maximum dimensions, width × unit height: 550 × 400 cm / 600 × 350 cm (with tracfix)
- intermediate sizes are available

### Roller tube and lateral bearings

- round roller tube Ø 85 mm with keyway, galvanised steel – excellent stability, ensures near perfect cover performance even at the largest widths
- the roller tube bearing is made of stainless steel

### Awning profiles

- extruded aluminium, in façade quality, powder coated
- cassette profile in two pieces, angular, height × depth 125 mm × 125 mm
- guide tracks angular, rounded edges, width × depth 52 mm × 52 mm
- front profile rounded on the underside, smooth appearance, height × depth 110 mm × 52 mm

### End caps

- the cassette end caps are made of die-cast aluminium, in two parts, powder coated
- the front profile end caps are made of high-quality plastic, powder coated

### Fixture brackets

- extruded aluminium, powder coated
- self-supporting cassette attached to the top of the angled guide rails
- brackets for the guide tracks: face fixture, reveal fixture, post fixture (posts of the markilux pergola with fixed posts / markilux syncra)
- standard bracket heights: 20 mm / 85 mm / 105 mm / 145 mm (bespoke heights can be ordered)

## 01 Frame colours

02 markilux frame colours without surcharge

03 traffic white, RAL 9016



metallic aluminium, RAL 9006



grey brown, similar to RAL 8019



04 off-white textured finish, 5233 <sup>1)</sup>



stone grey metallic, 5215 <sup>1)</sup>



anthracite metallic, 5204 <sup>1)</sup>



05 havana brown textured finish, 5229 <sup>1)</sup>



### 06 Non-standard powder-coated finish

07 Bespoke frame colours incur a surcharge – matt, metallic, finely textured and pearl finishes as well as other colour ranges (DB, Tiger etc.) on request. All frame colours are available at a surcharge with enhanced corrosion protection.

08 Colours may differ slightly from those depicted in both hue and finish.

1) textured finish

## Dimensions and configuration options

### Single unit

		Awning fixture width									Minimum fixture width		
		150	200	250	300	350	400	450	500	550	600	Hard-wired motor	Radio-controlled motor
<b>Order dimensions</b>		60	151	201	251	301	351	401	451	501	551	60 / 72 <sup>1)</sup>	70 / 82 <sup>1)</sup>
		150	200	250	300	350	400	450	500	550	600		
<b>Overall width</b>		+ 5,4											
<b>AH</b>	150 <sup>1)</sup>											60 / 72 <sup>1)</sup>	70 / 82 <sup>1)</sup>
	200 <sup>1)</sup>												
	250 <sup>1)</sup>												
	300 <sup>1)</sup>								2)	2)	2)		
	350 <sup>1)</sup>						2)	2)	2)	2)	2)		
	400 <sup>1)</sup>	2)	2)	2)	2)	2)	2)	2)	2)	2)	—	107 <sup>3)</sup>	107 <sup>3)</sup>
	450	2)	2)	2)	2)	2)	2)	2)	2)	—	—		
	500	2)	2)	2)	2)	2)	2)	—	—	—	—		
	550	2)	2)	2)	2)	2)	2)	—	—	—	—		
600	2)	2)	2)	2)	2)	2)	—	—	—	—			

dimensions in cm

1) = tracfix (optional). Only available with motor

2) = meets wind resistance class 2, all other sizes meet wind resistance class 3

3) = from a unit height of 281 cm

AH = unit height

 = 2 brackets per track

 = 3 brackets per track

### Operation

	standard	optional
crank handle, outside	✓ <sup>1)</sup>	—
crank handle, at the rear	—	—
crank handle, internal operation	—	—
hard-wired motor	✓ <sup>2)</sup>	✓
radio-controlled motor io, 868 MHz	—	✓
radio-controlled motor RTS, 433 MHz	—	✓

1) Not with tracfix

2) With tracfix

### Coupled awnings

not available

### Awning cover

	fabric pattern no.	standard	optional
sunvas	300..–315..	✓	—
sunsilk	324.. / 325.. / 328.. / 369..	✓	—
sunbow <sup>2)</sup>	411..–427..	✓	—
smart art	340..	—	✓
perla FR	371.. / 372..	—	✓ <sup>1)</sup>
perfotex	331.. / 332..	✓	—
transolair	338..	—	✓
transolair (120 cm)	339..	—	✓
Soltis Perform 92	92–20..	—	✓
Serge 600	272..	—	✓ <sup>1)</sup>

1) Only in tracfix units

2) Up to max. 400 cm projection available, without tracfix up to max. 300 cm projection available

### Optional accessories

tracfix – cover guidance system holding the cover neatly in the guide rails

flexible panorama window, only available in combination with tracfix

automatic controls (light, wind, rain)

N.B. Important background information can be found in the chapter “Optional Accessories”.

01 **sunvas** Fabric pattern 301.. / 309.. - 315..  
**transolair** 339..  
**perla FR** 371..<sup>3)</sup> / 372..<sup>3)</sup>  
 02 Fabric width 120 cm

**smart art** 340..  
**sunsilk** 324.. / 325.. / 328.. / 369..

03

		Awning fixture width									
		150	200	250	300	350	400	450	500	550	600
AH	tracfix 1)	150									
		200									
		250									
		300									
		350									
		400									
		450									
		500									
		550									
		600									

08 **sunvas** Fabric pattern 31008<sup>2)</sup>, -09<sup>2)</sup>, -13, -16, -18, -25, -27, -28, -31, -36, -37, -57, -58, 31109, -14, -17  
 09 Fabric width 250 cm

		Awning fixture width									
		150	200	250	300	350	400	450	500	550	600
AH	tracfix 1)	150									
		200									
		243									
		300				2)	2)	2)			
		313				2)	2)	2)			
		400				2)	2)				
		450				2)	2)				
		500				2)	2)				
		550				2)	2)				
		600				2)	2)				

14 2) also available in fabric width 320 cm – then seamless

15 **sunbow** Fabric pattern 411.. - 427..  
 16 Fabric width 120 cm

		Awning fixture width									
		150	200	250	300	350	400	450	500	550	600
AH	tracfix 1)	150									
		200									
		250									
		300									
		350	3)	3)	3)	3)	3)	3)	3)	3)	3)
		400	3)	3)	3)	3)	3)	3)	3)	3)	
		450									
		500									
		550									
		600									

19 3) Only in tracfix units

**Note:** The maximum width of the outer panels in tracfix systems with vertical panel joints is 35 cm

= vertical panel joints (panel width approx. 120 cm)
  = seamless
  = not available
  = horizontal panel joint(s)
 AH = unit height

1) = optional

dimensions in cm

**transolair** Fabric pattern 338..  
Fabric width 250 cm

		Awning fixture width									
		150	200	250	300	350	400	450	500	550	600
AH	tracfix 1)	150	200	250	300	350	400	450	500	550	600
	150	200	250	300	350	400	450	500	550	600	
	243	200	250	300	350	400	450	500	550	600	
	300	200	250	300	350	400	450	500	550	600	
	350	200	250	300	350	400	450	500	550	600	
	400	200	250	300	350	400	450	500	550	600	
	450	200	250	300	350	400	450	500	550	600	
	500	200	250	300	350	400	450	500	550	600	
	550	200	250	300	350	400	450	500	550	600	
	600	200	250	300	350	400	450	500	550	600	

01  
02  
**03**  
04  
05  
06

**perfortex** Fabric pattern 331.. / 332..  
Fabric width 120 cm

		Awning fixture width									
		150	200	250	300	350	400	450	500	550	600
AH	tracfix 1)	150	200	250	300	350	400	450	500	550	600
	150	200	250	300	350	400	450	500	550	600	
	250	200	250	300	350	400	450	500	550	600	
	300	200	250	300	350	400	450	500	550	600	
	350	200	250	300	350	400	450	500	550	600	
	400	200	250	300	350	400	450	500	550	600	
	450	200	250	300	350	400	450	500	550	600	
	500	200	250	300	350	400	450	500	550	600	
	550	200	250	300	350	400	450	500	550	600	
	600	200	250	300	350	400	450	500	550	600	

07  
08  
09  
10  
11  
12

**Serge 600**(only available with tracfix) Fabric pattern 272..  
Fabric width 250 cm

		Awning fixture width									
		150	200	250	300	350	400	450	500	550	600
AH	tracfix 1)	150	200	250	300	350	400	450	500	550	600
	150	200	250	300	350	400	450	500	550	600	
	250	200	250	300	350	400	450	500	550	600	
	300	200	250	300	350	400	450	500	550	600	
	350	200	250	300	350	400	450	500	550	600	
	400	200	250	300	350	400	450	500	550	600	
	450	200	250	300	350	400	450	500	550	600	
	500	200	250	300	350	400	450	500	550	600	
	550	200	250	300	350	400	450	500	550	600	
	600	200	250	300	350	400	450	500	550	600	

13  
14  
15  
16  
17  
18

**Soltis Perform 92** Fabric pattern 277..  
Fabric width 177 cm

		Awning fixture width									
		150	180	250	300	350	400	450	500	550	600
AH	tracfix 1)	150	180	250	300	350	400	450	500	550	600
	150	180	250	300	350	400	450	500	550	600	
	250	180	250	300	350	400	450	500	550	600	
	300	180	250	300	350	400	450	500	550	600	
	350	180	250	300	350	400	450	500	550	600	
	400	180	250	300	350	400	450	500	550	600	
	450	180	250	300	350	400	450	500	550	600	
	500	180	250	300	350	400	450	500	550	600	
	550	180	250	300	350	400	450	500	550	600	
	600	180	250	300	350	400	450	500	550	600	

19

**Note:** The maximum width of the outer panels in tracfix systems with vertical panel joints is 35 cm

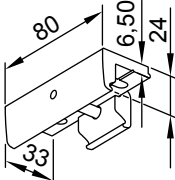
= vertical panel joints (panel width approx. 120 cm)
  = seamless
  = not available
 1) = optional  
**AH** = unit height

dimensions in cm

01 **Fixtures, fittings and accessories**

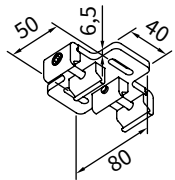
02 **Accessories**

03

04 

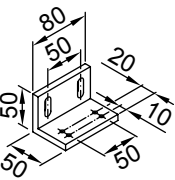
05 flat track bracket  
fixture type 10 and 15

**78548.**

06 

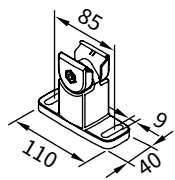
07 double track bracket  
plat  
2 single units

**73627.**

08 

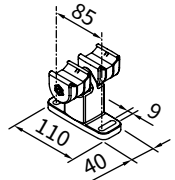
09 additional angled  
bracket for the  
bearing, gearbox and  
motor sides  
50 x 50 x 80 mm  
fixture type 15

**78719.**

10 

11 track bracket, with  
adjustable head  
80 mm  
fixture type 20

**73624.**

12 

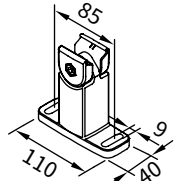
13 double track bracket  
with adjustable head  
80 mm  
central bracket for 2  
single units next to  
each other

**73631.**

14 

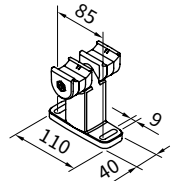
15 windmill track bracket  
80 mm

**73629.**

16 

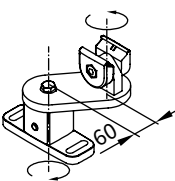
17 track bracket, with  
adjustable head  
100 mm

**76046.**

18 

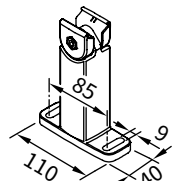
19 double track bracket  
with adjustable head  
100 mm  
central bracket for 2  
single units next to  
each other

**73634.**

20 

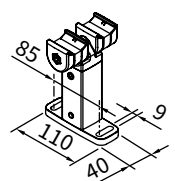
21 windmill track bracket  
100 mm

**76054.**

22 

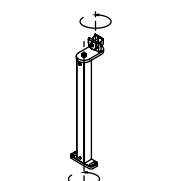
23 track bracket, with  
adjustable head  
140 mm

**76048.**

24 

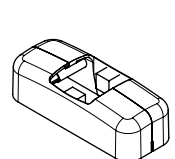
25 double track bracket  
with adjustable head  
140 mm  
central bracket for 2  
single units next to  
each other

**73636.**

26 

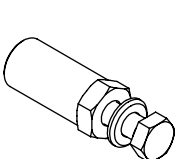
27 universal track bracket  
with adjustable head  
140-500 mm

**76053.**

28 

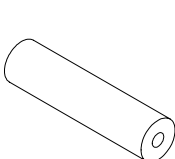
29 covering cap  
for square track bracket  
standard accessory for  
bracket

**2 x 76718.**

30 

31 reduction bolt  
M 10 → M 6 / SW 13  
30 mm length  
pack 10 pcs

**8440381**

32 

33 stand-off fixing tube  
30 x 10 x 1000 mm  
**N.B.!**  
Stack to a max. height  
of 120 mm

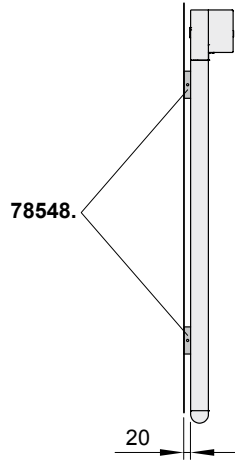
**701668**



# Fixture types

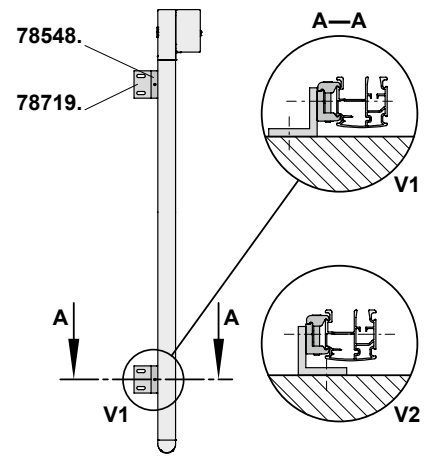
**10**

Clearance 20 mm



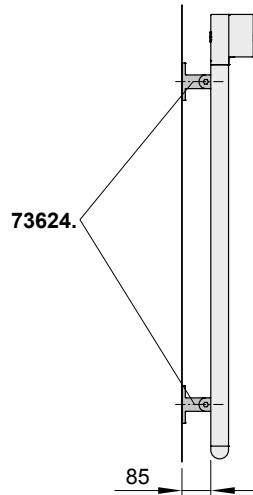
**15**

By angled bracket to the side



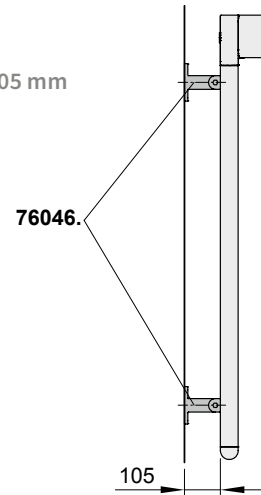
**20**

Clearance 85 mm



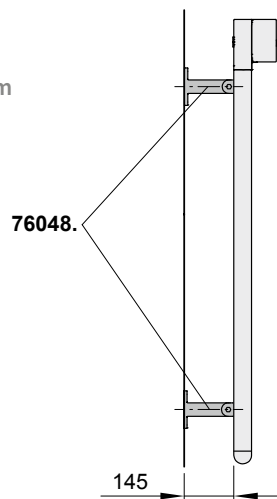
**21**

Clearance 105 mm



**22**

Clearance 145 mm



**Individual bracket selection:**

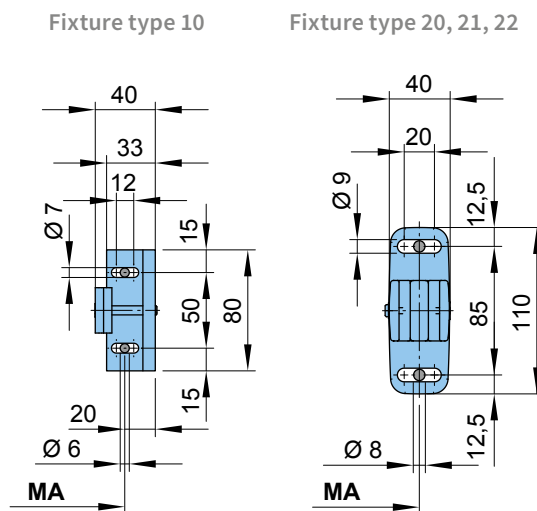
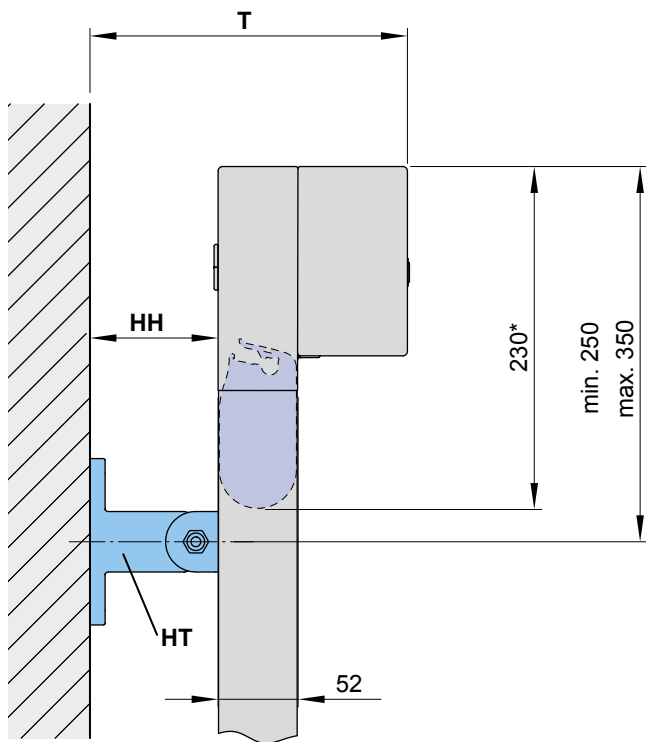
See "Fixtures, fittings and accessories". When unit height > 300 cm, always 3 brackets per guide track.

dimensions in mm

01  
02  
**03**  
04  
05  
06  
07  
08  
09  
10  
11  
12  
13  
14  
15  
16  
17  
18  
19

# Fixture types

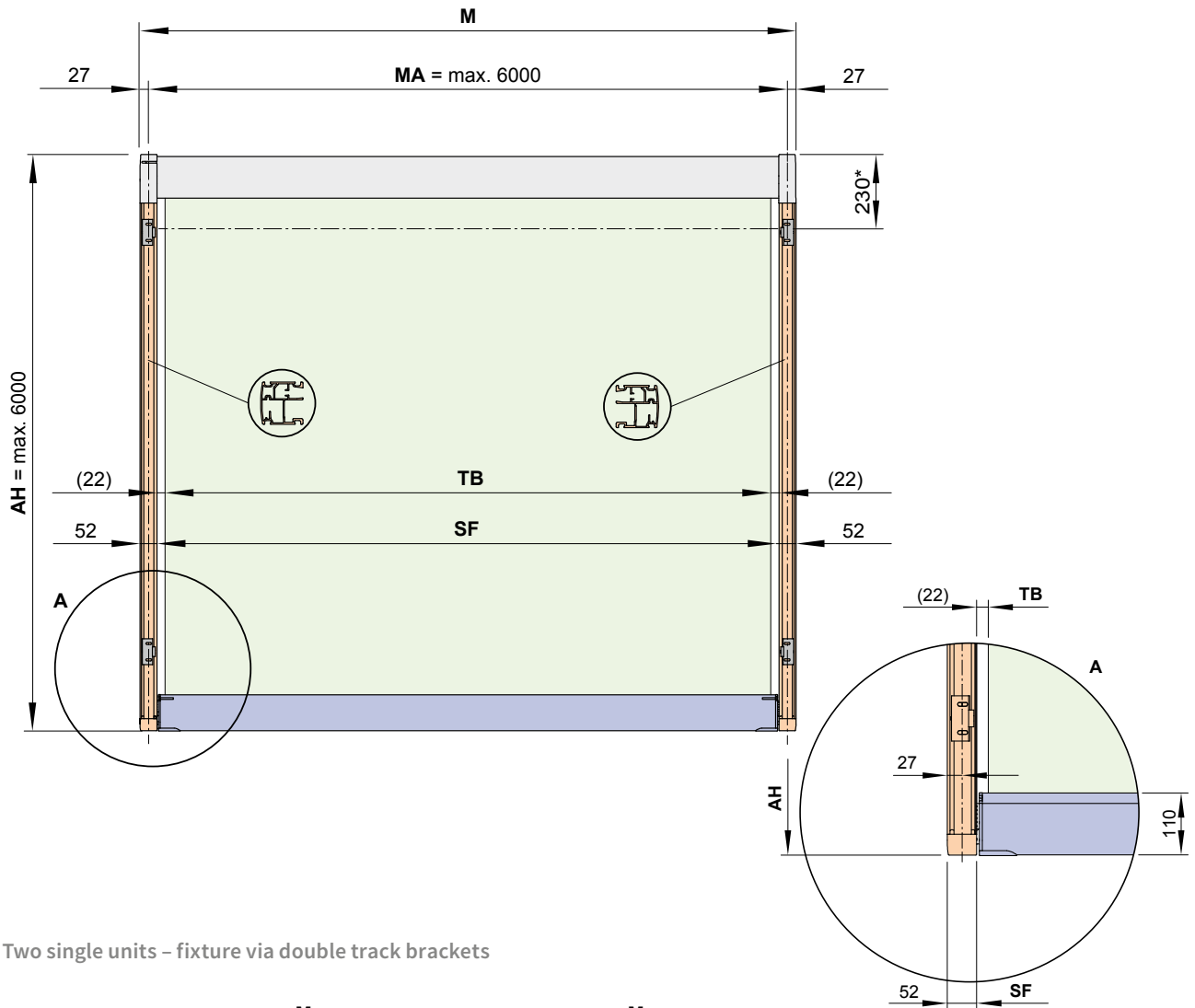
## Overview of dimensions



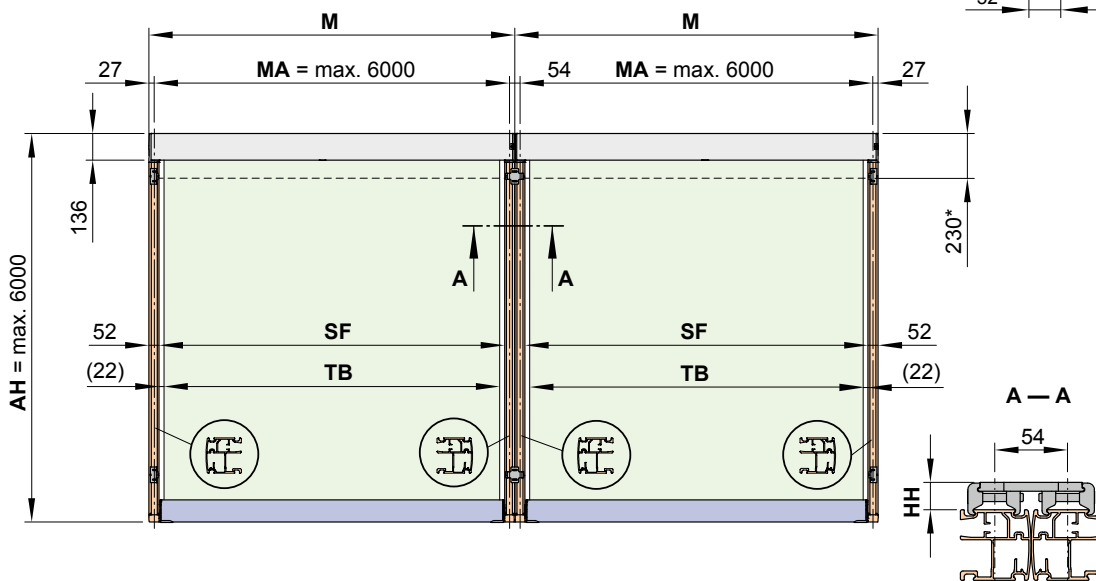
	Fixture type 10	Fixture type 20	Fixture type 21	Fixture type 22
<b>HT</b> = bracket	78548.	73624.	76046.	76048.
<b>HH</b> = bracket height	20	85	105	145
<b>T</b> = overall height	150	215	235	275
<b>MA</b> = <b>order dimension</b> = blind fixture width = fixture width				
<b>*</b> = unit height when retracted				

# Overview of dimensions

## Single unit



## Two single units - fixture via double track brackets



- \* = unit height when retracted
- (...) = gap between cover and guide track (non-tracfix units)
- AH = **order dimension** = unit height
- HH = bracket height

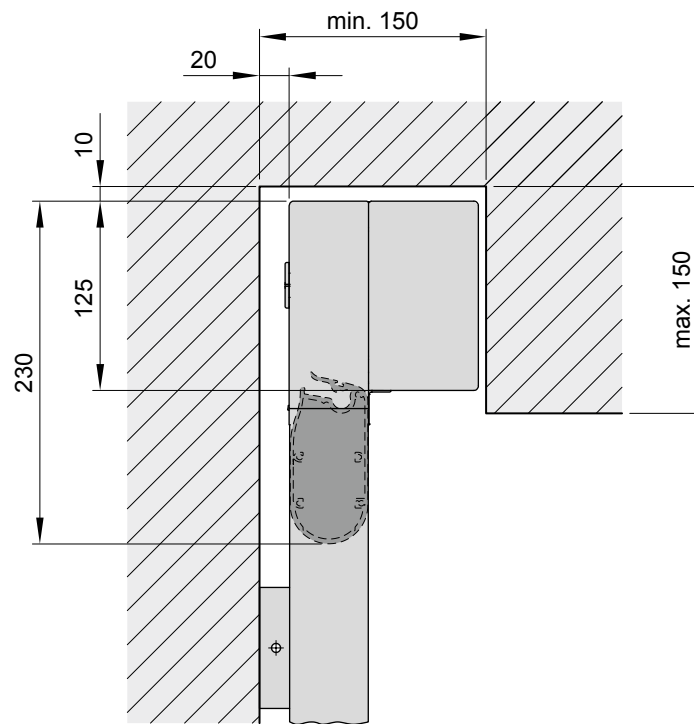
- M = awning width
- MA = **order dimension** = blind fixture width = fixture width
- SF = visible cover (in tracfix systems)
- TB = cover width

dimensions in mm

01  
02  
**03**  
04  
05  
06  
07  
08  
09  
10  
11  
12  
13  
14  
15  
16  
17  
18  
19

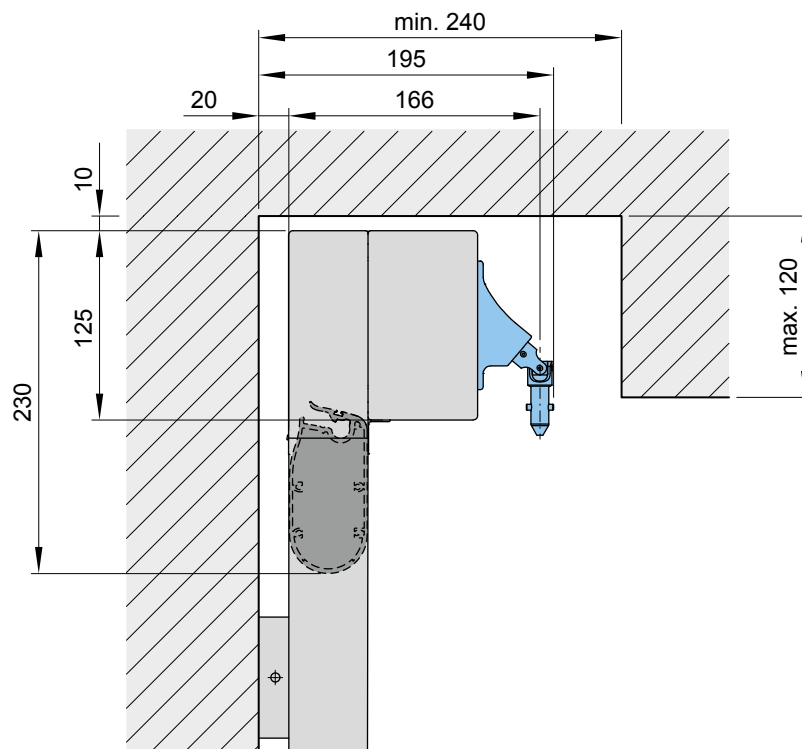
## 01 Overview of dimensions

02 Top window well fixture, motor drive



13

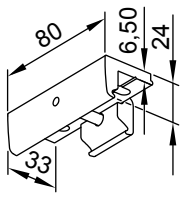
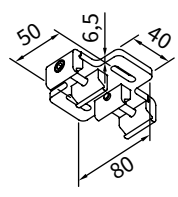
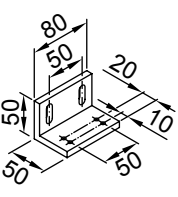
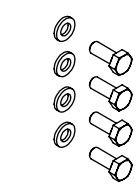
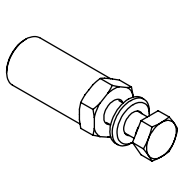
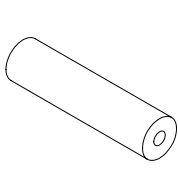
14 Top window well fixture, manual operation



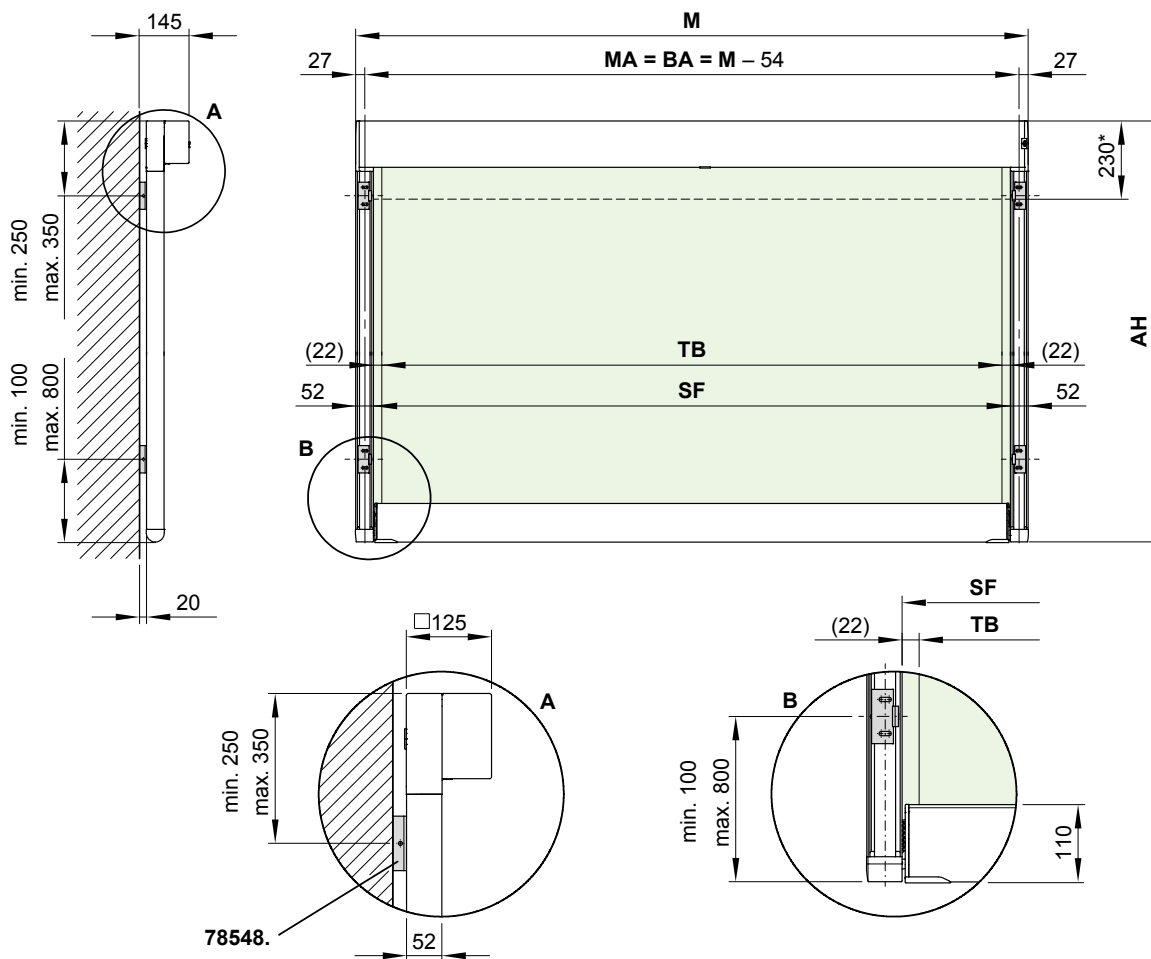
dimensions in mm

# Dimension overview Fixture type 10, 15

## Fixtures, fittings and accessories

 <p>flat track bracket fixture type 10 and 15</p> <p><b>78548.</b></p>	 <p>double track bracket plat 2 single units</p> <p><b>73627.</b></p>	 <p>additional angled bracket for the bearing, gearbox and motor sides 50 x 50 x 80 mm fixture type 15</p> <p><b>78719.</b></p>
 <p>accessories for two angled brackets 78719.</p> <p><b>787211</b></p>	 <p>reduction bolt M 10 → M 6 / SW 13 30 mm length pack 10 pcs</p> <p><b>8440381</b></p>	 <p>stand-off fixing tube 30 x 10 x 1000 mm <b>N.B.!</b> Stack to a max. height of 120 mm</p> <p><b>701668</b></p>

### Fixture type 10, as seen from inside



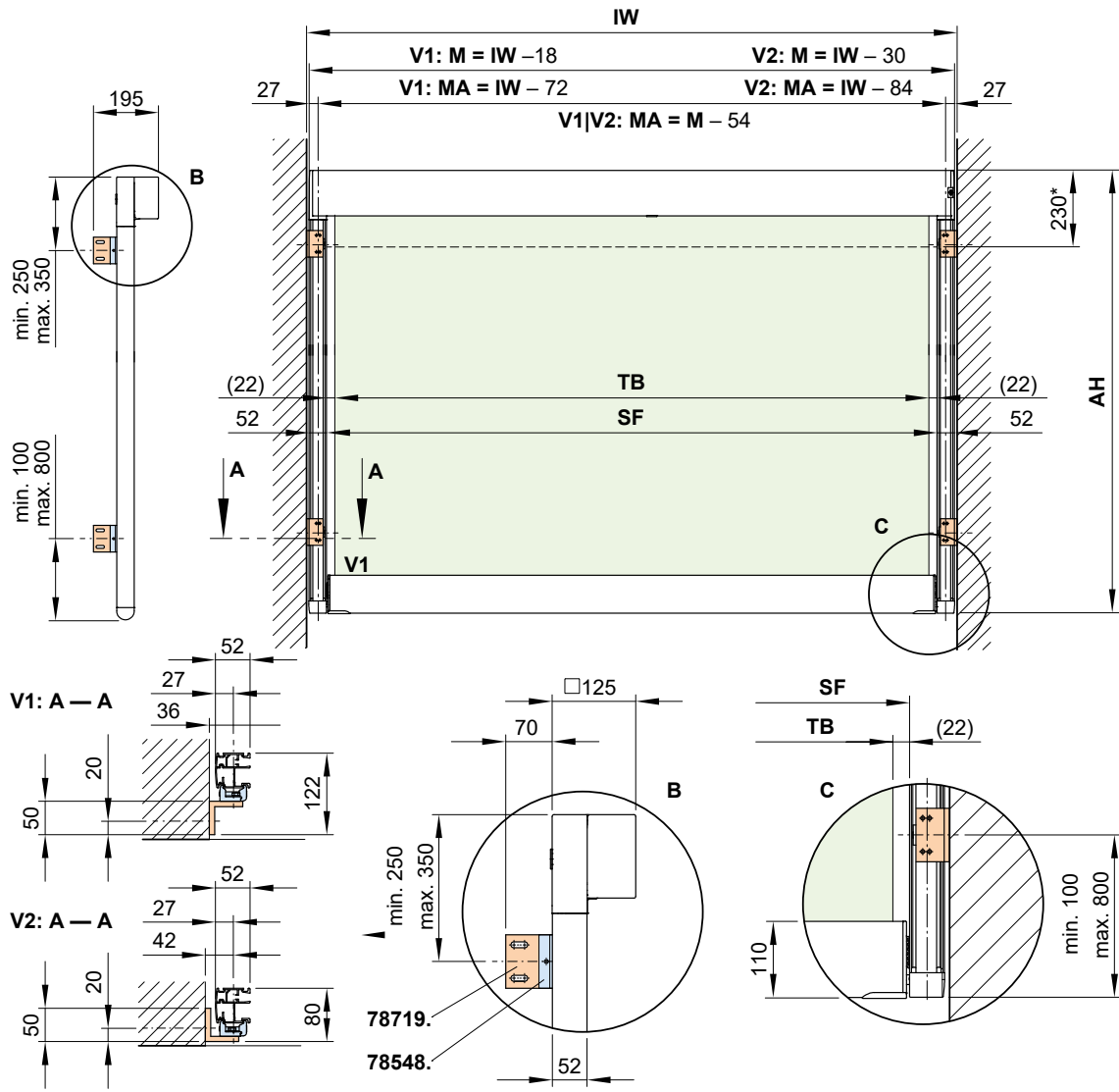
- \* = height of cassette including front profile, retracted
- (...) = gap between cover and guide track (non-tracfix units)
- AH = **order dimension** = unit height
- BA = fixture width

- M = overall blind width = MA + 54 mm
- MA = **order dimension** = blind fixture width = fixture width
- SF = visible cover
- TB = cover width

dimensions in mm

# Dimension overview Fixture type 10, 15

Fixture type 15, as seen from inside

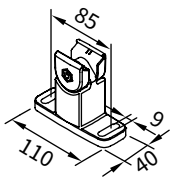


- \* = unit height when retracted
- (...) = gap between cover and guide track (non-tracfix units)
- AH = **order dimension** = unit height
- IW = reveal width
- M = overall blind width =  $MA + 54$  mm
- MA = **order dimension** = blind fixture width = fixture width
- SF = visible cover
- V1, V2 = variants 1 and 2

dimensions in mm

## Fixtures, fittings and accessories – fixture types 20, 21, 22

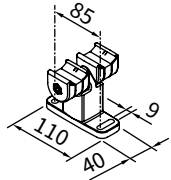
### Fixtures, fittings and accessories – fixture type 20



track bracket, with adjustable head  
80 mm

fixture type 20

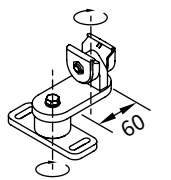
**73624.**



double track bracket with adjustable head  
80 mm

central bracket for 2 single units next to each other

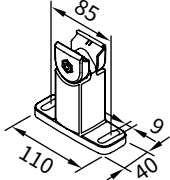
**73631.**



windmill track bracket  
80 mm

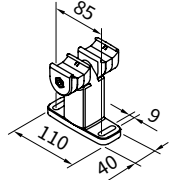
**73629.**

### Fixtures, fittings and accessories – fixture type 21



track bracket, with adjustable head  
100 mm

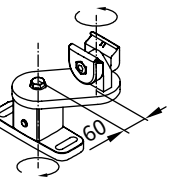
**76046.**



double track bracket with adjustable head  
100 mm

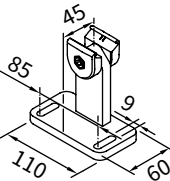
central bracket for 2 single units next to each other

**73634.**



windmill track bracket  
100 mm

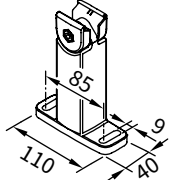
**76054.**



track bracket with offset footplate  
100 mm

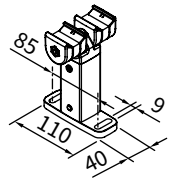
**76199.**

### Fixtures, fittings and accessories – fixture type 22



track bracket, with adjustable head  
140 mm

**76048.**

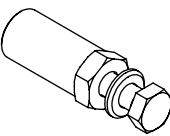


double track bracket with adjustable head  
140 mm

central bracket for 2 single units next to each other

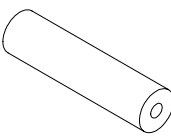
**73636.**

### Accessories



reduction bolt  
M 10 → M 6 / SW 13  
30 mm length  
pack 10 pcs

**8440381**



stand-off fixing tube  
30 × 10 × 1000 mm

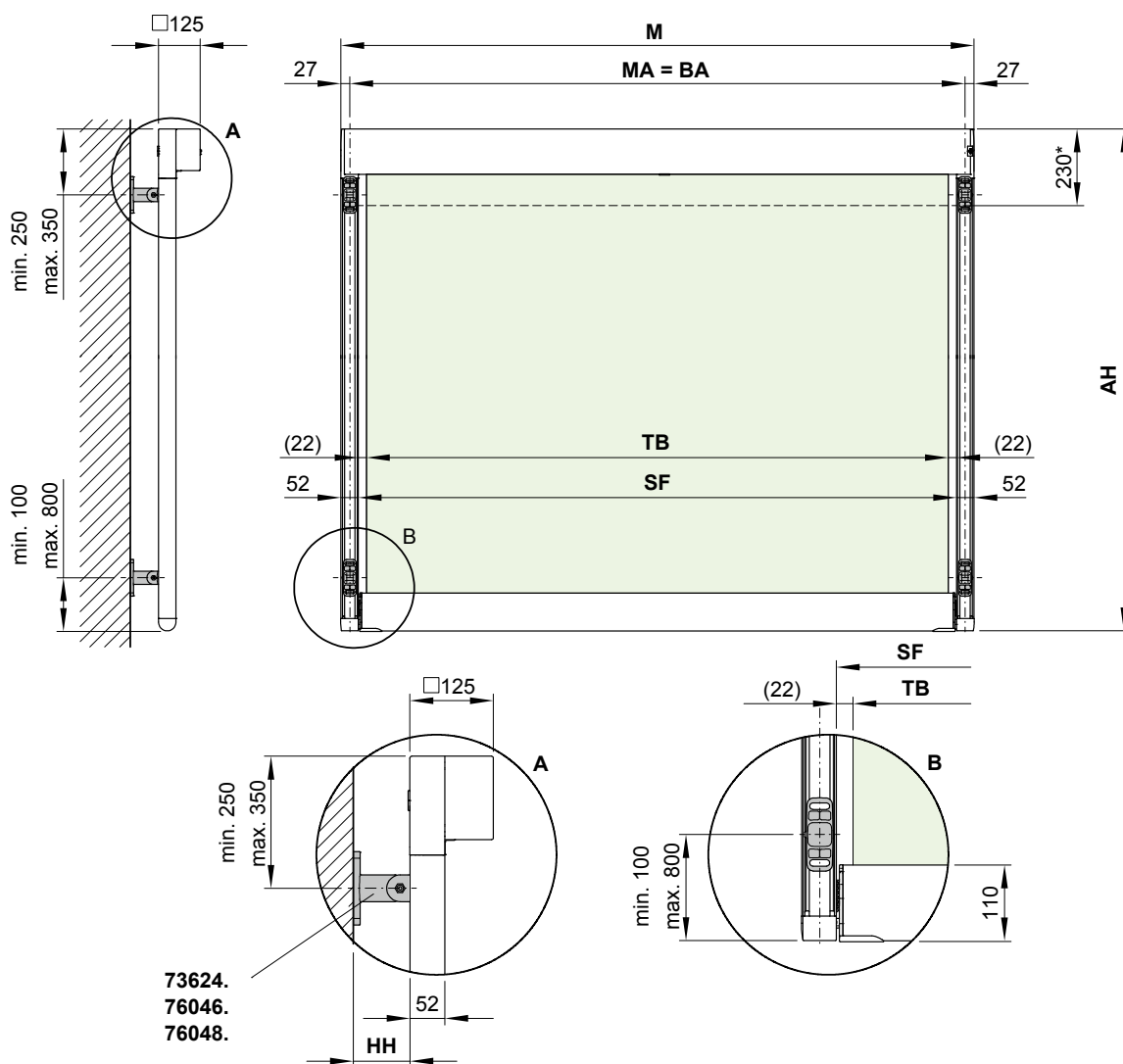
**N.B.!**  
Stack to a max. height of 120 mm

**701668**

01  
02  
**03**  
04  
05  
06  
07  
08  
09  
10  
11  
12  
13  
14  
15  
16  
17  
18  
19

# Dimension overview fixture types 20, 21, 22

Fixture type 20, as seen from inside



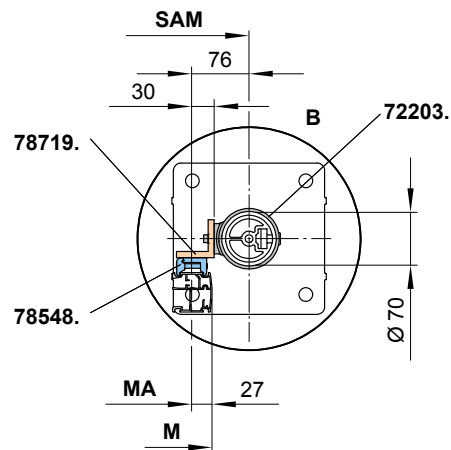
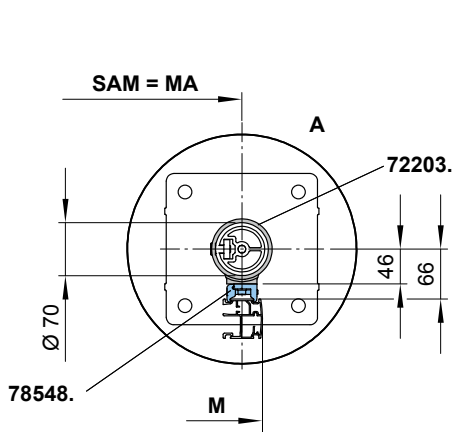
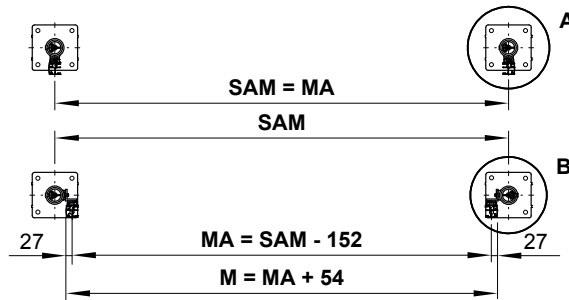
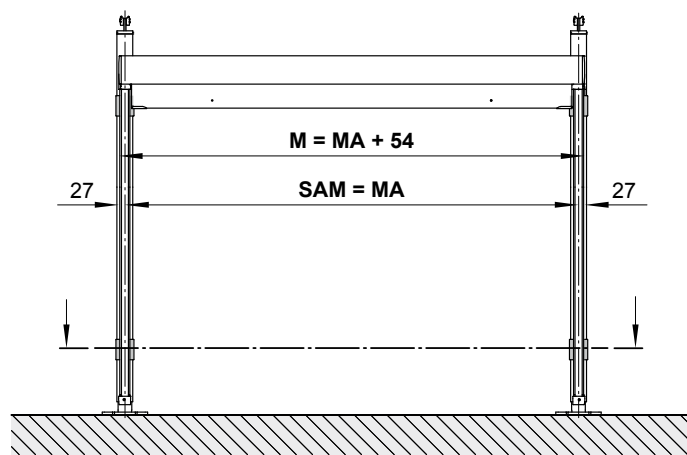
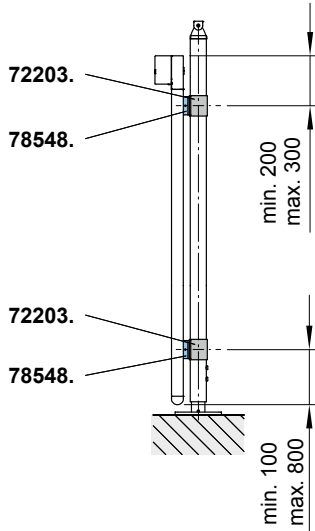
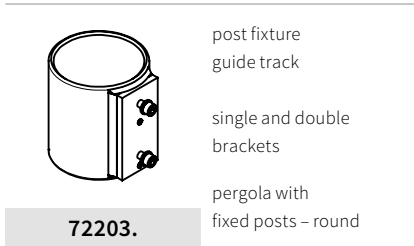
- \* = unit height when retracted
- (...) = gap between cover and guide track (non-tracfix units)
- AH** = **order dimension** = unit height
- BA** = width between fixture points
- HH** = bracket height
- M** = Awning width
- MA** = **order dimension** = blind fixture width = fixture width
- SF** = visible cover (in tracfix systems)
- TB** = cover width

dimensions in mm



# Dimensions, fixture to the posts of the markilux pergola with fixed posts

01  
02  
**03**  
04  
05  
06  
07  
08  
09  
10  
11  
12  
13  
14  
15  
16  
17  
18  
19



- A = detailed drawing fixture type 10
- B = detailed drawing fixture type 15
- M = overall blind width =  $MA + 54$  mm
- MA = **order dimension** = blind fixture width = fixture width
- SAM = post separation centre to centre

dimensions in mm

# Dimension overview in combination with the markilux syncra

## Fixture to a round post

01  
02  
03  
04  
05  
06  
07  
08  
09  
10  
11  
12  
13  
14  
15  
16  
17  
18  
19

post fixture guide track  
centre, both sides  
round posts

**79557.**

post fixture guide track  
corner, both sides  
round posts

**79556.**

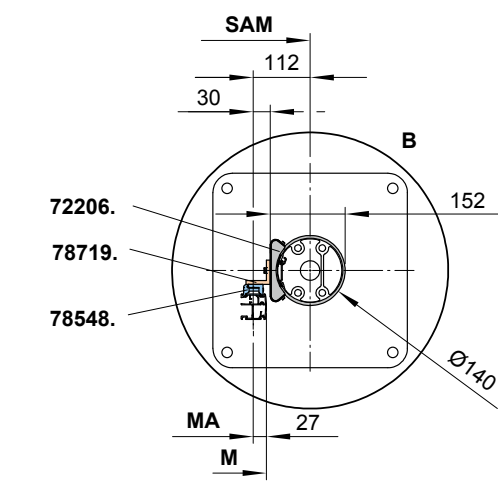
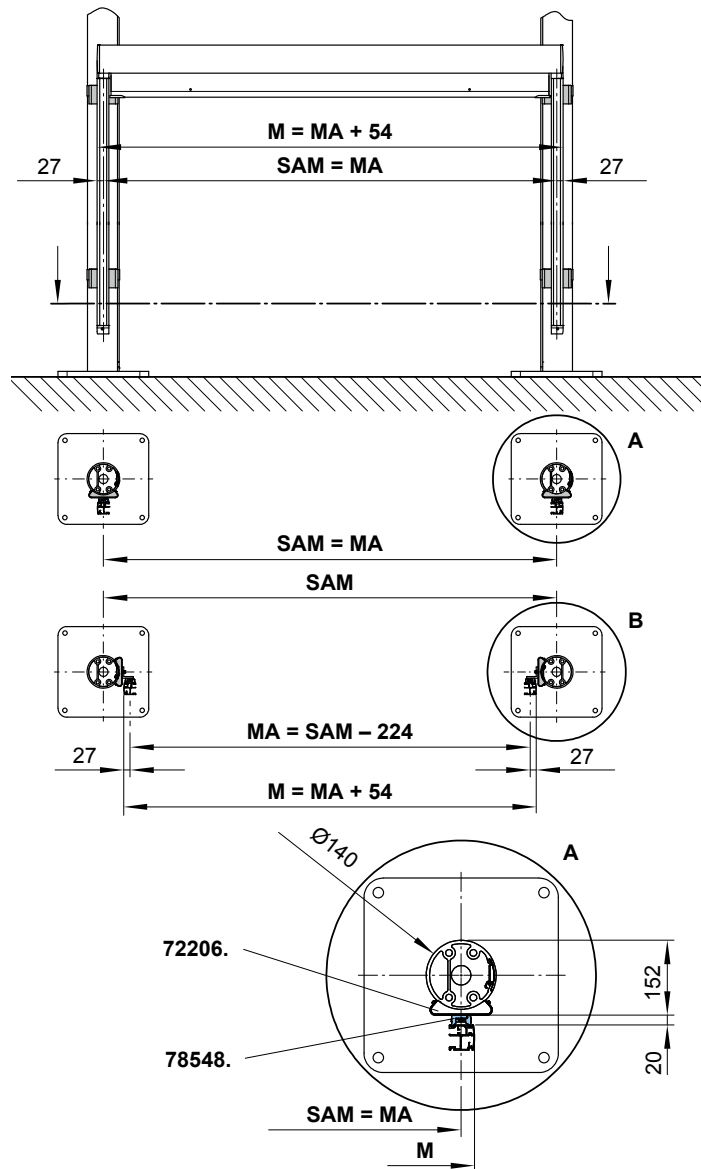
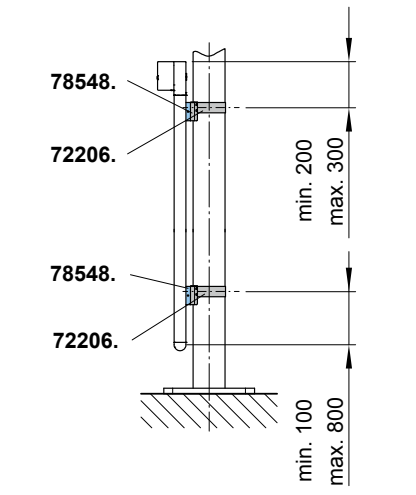
post fixture guide track  
corner, one side  
round posts

**79558.**

post fixture guide track  
single and double brackets  
round posts

**72206.**

**Please note:** When fixing to the markilux syncra only two brackets per track are needed!

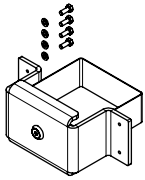


- A = detailed drawing fixture type 10
- B = detailed drawing fixture type 15
- M = overall blind width =  $MA + 54$  mm
- MA = **order dimension** = blind fixture width = fixture width
- SAM = post separation centre to centre

dimensions in mm

# Dimension overview in combination with the markilux syncra

## Fixture to a square post

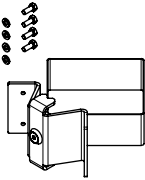


post fixture guide track

centre, both sides

square posts

**72234.**

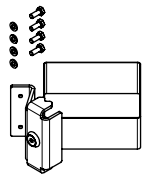


post fixture guide track

corner, both sides

square posts

**72233.**

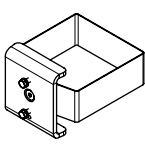


post fixture guide track

corner, one side

square posts

**72235.**



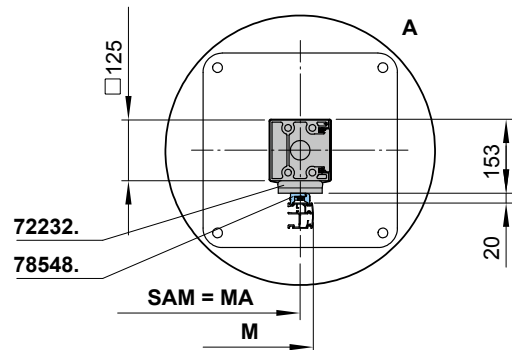
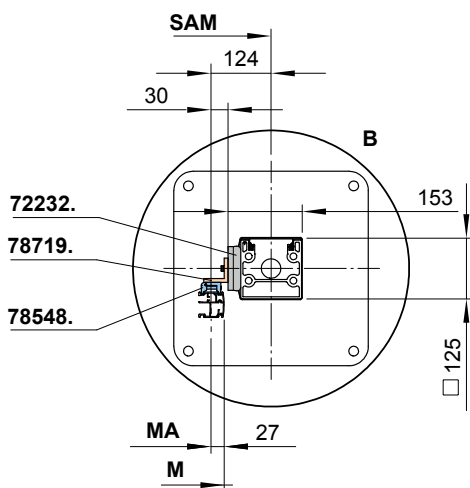
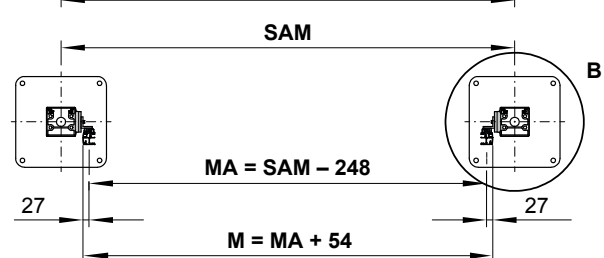
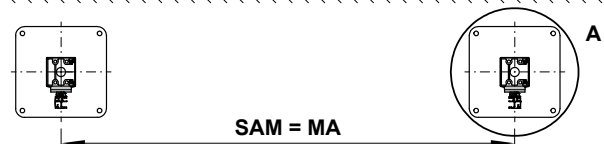
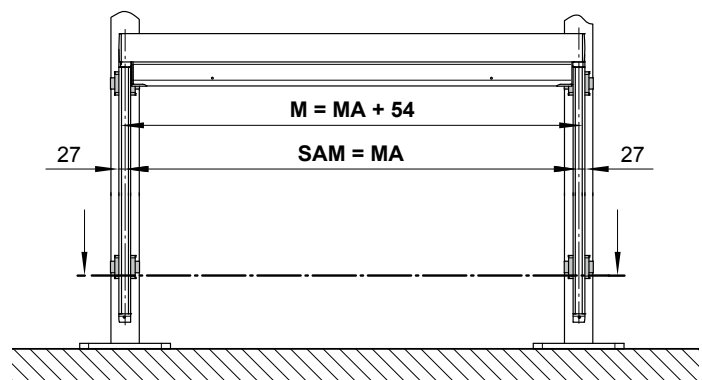
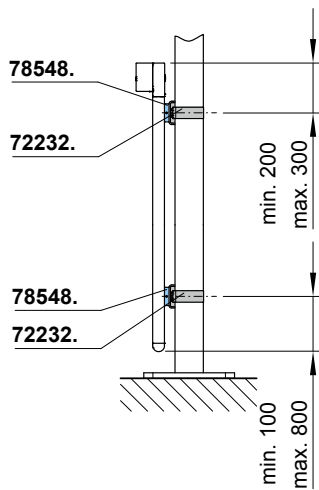
post fixture guide track

single and double brackets

square posts

**72232.**

**Please note:** When fixing to the markilux syncra only two brackets per track are needed!



- A = detailed drawing fixture type 10
- B = detailed drawing fixture type 15
- M = overall blind width =  $MA + 54$  mm
- MA = **order dimension** = blind fixture width = fixture width
- SAM = post separation centre to centre

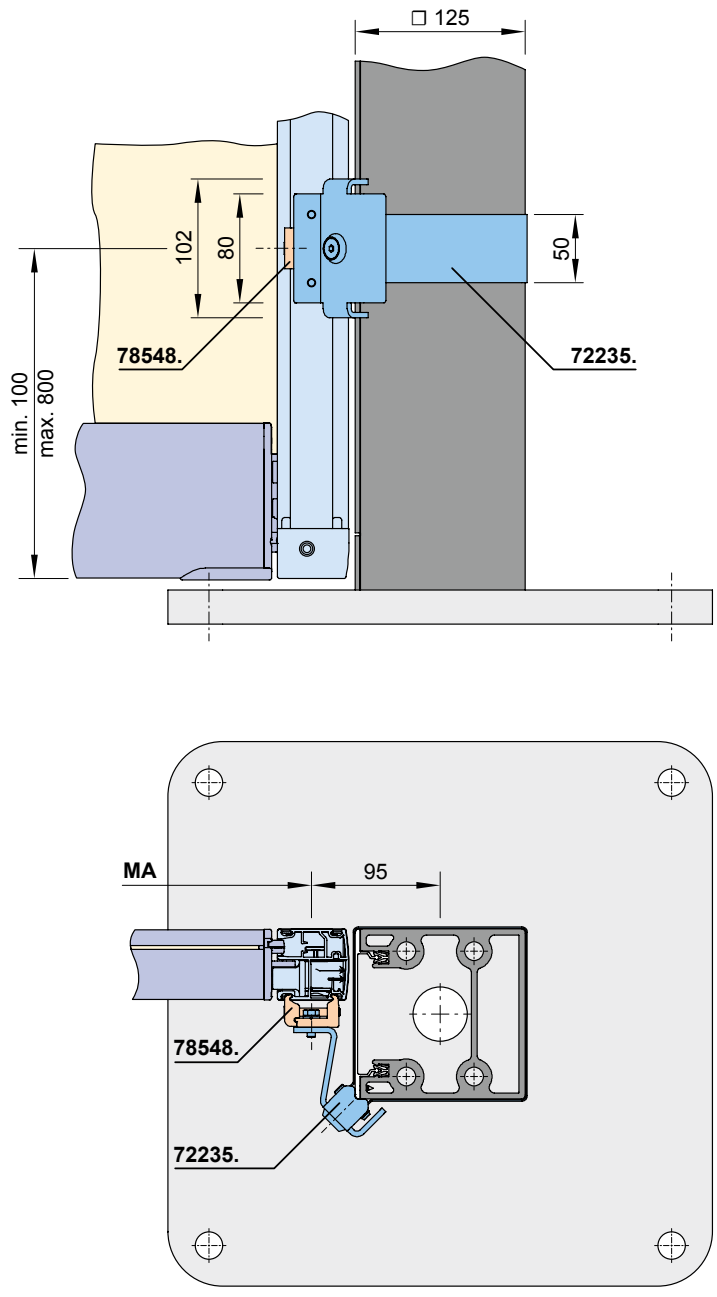
dimensions in mm

01  
02  
**03**  
04  
05  
06  
07  
08  
09  
10  
11  
12  
13  
14  
15  
16  
17  
18  
19

01  
02  
**03**  
04  
05  
06  
07  
08  
09  
10  
11  
12  
13  
14  
15  
16  
17  
18  
19

# Dimension overview in combination with the markilux syncra

Fixture to a square post

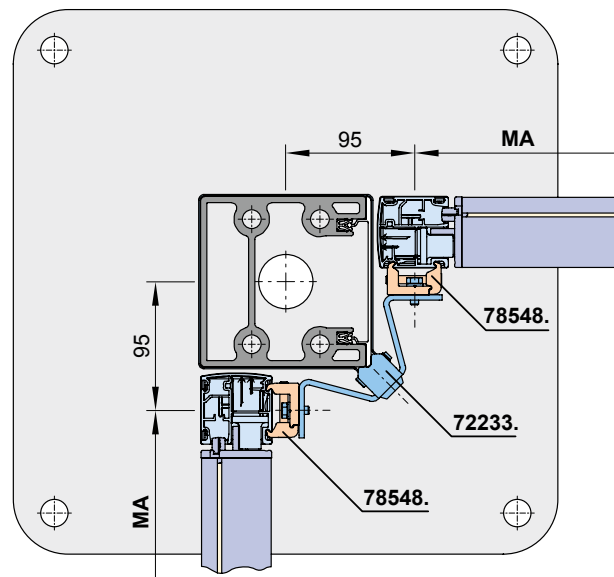
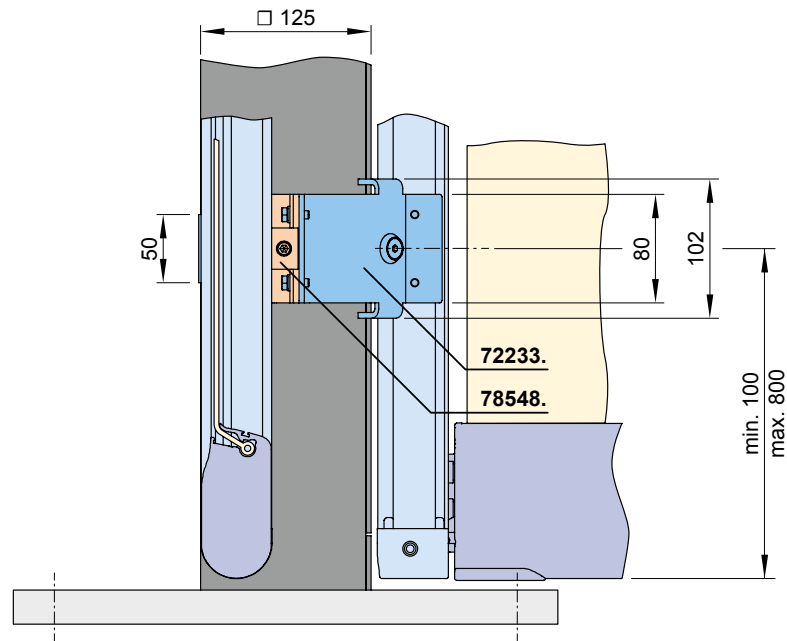


MA = order dimension = blind fixture width = fixture width

dimensions in mm

# Dimension overview in combination with the markilux syncra

Fixture to a round post



01  
02  
**03**  
04  
05  
06  
07  
08  
09  
10  
11  
12  
13  
14  
15  
16  
17  
18  
19

MA = order dimension = blind fixture width = fixture width

dimensions in mm

## 01 Motor cable exit point

02

03

04

05

06

07

08

09

10

11

12

13

14

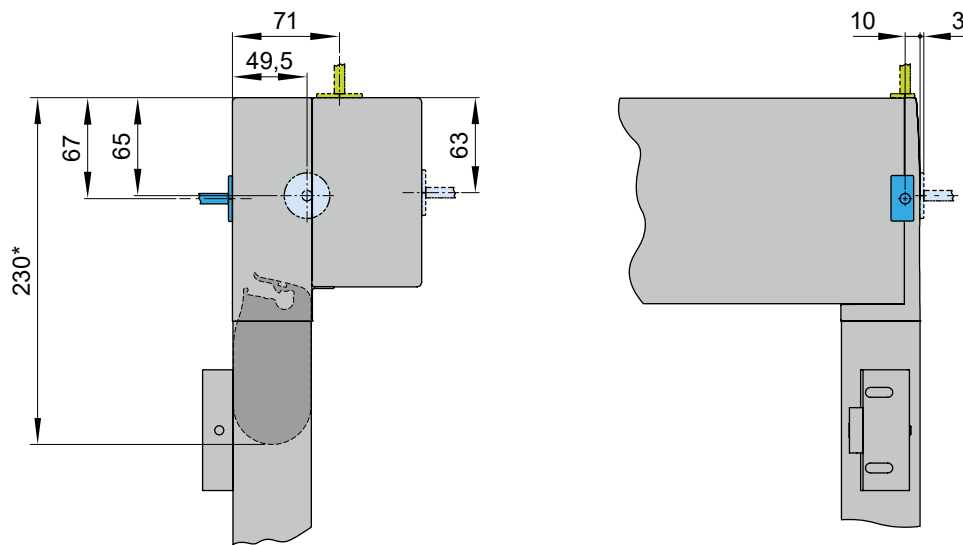
15

16

17

18

19



- \* = unit height when retracted
- = standard
- = optional
- = optionally with surcharge

dimensions in mm