



Drop-arm cassette awning

## **markilux 730**

The awning with arms that drop out and away from the building – an adornment for any window with value-added functionality.

### Product Characteristics

Wind resistance class 2  
Beaufort 5 → 7.5–10.4 m/s → 28–37 km/h → 17–23 mph

01  
02  
03  
04  
05  
06  
07  
08  
09  
10  
11  
12  
13  
14  
15  
16  
17  
18  
19



face fixture

top fixture



aluminium wedge-in accro bars <sup>1)</sup>, telescopic support post height 218–320 cm

retracted closing mechanism

reveal fixture of drop arms, stainless steel gas pistons



cover split for unit width > 400 cm



1) Optional accessories

## Product Characteristics

### Description

- the drop-arm cassette awning tensioned by gas piston technology – for widths up to 700 cm

### Special features

- fully encompassing cassette that protects the cover perfectly
- compact cassette profile that lends an attractive appearance to the unit
- attractive front profile
- optimum cover tension provided by drop arms that use high-grade stainless steel gas pistons
- sturdy drop arms with unique mechanism that enables the front profile to close tightly against the underside of the cassette
- option of wedge-in accro bars making it possible to install the awning between floor and ceiling – ideal for balconies
- front profile optionally with valance

### Dimensions

- single unit: 74–700 cm in width
- maximum drop arm lengths / cover drops: 80/160 cm – 100/200 cm – 120/250 cm – 150/250 cm
- intermediate sizes are available

### Roller tube and lateral bearings

- round roller tube Ø 63 mm with keyway, galvanised steel
- the roller tube bearing is made of stainless steel

### Awning profiles

- extruded aluminium, in façade quality, powder coated
- cassette profile in one piece, angular, height × depth 95 mm × 95 mm
- front profile angular, height × depth 40 mm × 50 mm

### Drop arms

- u-shaped profile, width × profile depth 25 mm × 32 mm, attractively rounded, extruded aluminium, powder coated
- maximum angle of drop 140°
- excellent tension provided by marine grade stainless steel V4A gas pistons, pressure 580 N

### End caps

- the cassette end caps are made of high-quality plastic, powder coated
- the front profile end caps are made of high-quality plastic, powder coated

### Fixture brackets

- extruded aluminium, powder coated
- cassette brackets: face fixture, top fixture, reveal fixture
- brackets for the drop arms: face fixture, reveal fixture
- other accessories are available

01

02

03

04

05

06

07

08

**09**

10

11

12

13

14

15

16

17

18

19

01 **Frame colours**02 **markilux frame colours without surcharge**

03 traffic white, RAL 9016



04 metallic aluminium, RAL 9006



05 grey brown, similar to RAL 8019

06 **09**07 off-white textured finish, 5233 <sup>1)</sup>08 stone grey metallic, 5215 <sup>1)</sup>09 anthracite metallic, 5204 <sup>1)</sup>10 havana brown textured finish, 5229 <sup>1)</sup>11 **Non-standard powder-coated finish**

12 Bespoke frame colours incur a surcharge – matt, metallic, finely textured and pearl finishes as well as other colour ranges (DB, Tiger etc.) on request. All frame colours are available at a surcharge with enhanced corrosion protection.

13 Colours may differ slightly from those depicted in both hue and finish.

14 **1) textured finish**

# Dimensions and configuration options

Single unit

		Awning width												Minimum width		
		100	150	200	250	300	350	400	450	500	550	600	650	700	Hard-wired motor	Radio-controlled motor
Order dimensions		50	101	151	201	251	301	351	401	451	501	551	601	651	75	74
		100	150	200	250	300	350	400	450	500	550	600	650	700		
AL	80 <sup>1)</sup>															
	100 <sup>2)</sup>															
	120 <sup>3)</sup>															
	150 <sup>3)</sup>															

dimensions in cm

- 1) = cover length 160 cm
  - 2) = cover length 200 cm
  - 3) = cover length 250 cm
  - A = arm length
- = 2 brackets, 2 drop arms
  - = 3 brackets, 2 drop arms
  - = 3 brackets, 3 drop arms, 1 nylon support bearing (split cover)

Operation	standard	optional
crank handle, outside	✓ <sup>1)</sup>	—
crank handle, at the rear	—	✓ <sup>1)</sup>
crank handle, internal operation	—	✓ <sup>1)</sup>
hard-wired motor	—	✓
radio-controlled motor io, 868 MHz	—	✓
radio-controlled motor RTS, 433 MHz	—	✓

1) Up to a maximum awning width of 400 cm

**Coupled awnings**  
not available

Awning cover	fabric pattern no.	standard	optional
sunvas	300..-315..	✓	—
sunsilk	324.. / 325.. / 328.. / 369..	✓	—
sunbow	411..-427..	✓	—
smart art	340..	—	✓
perla FR	371.. / 372..	—	✓
perfotex	331.. / 332..	✓	—
transolair	338..	—	✓
transolair (120 cm)	339..	—	✓
Soltis Perform 92	92-20..	—	✓
Serge 600	272..	—	—
valance, height 20 cm		—	✓

**Optional accessories**  
aluminium wedge-in accro bars  
valance  
automatic controls (light, wind, rain)

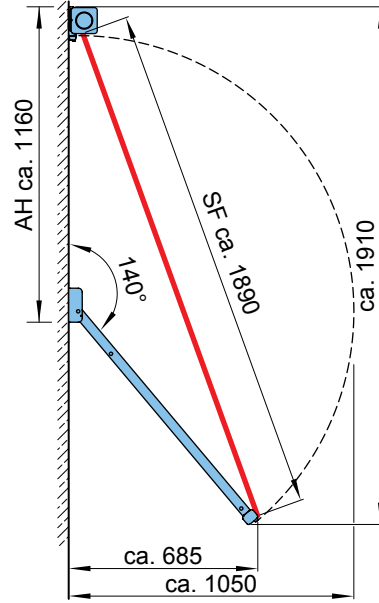
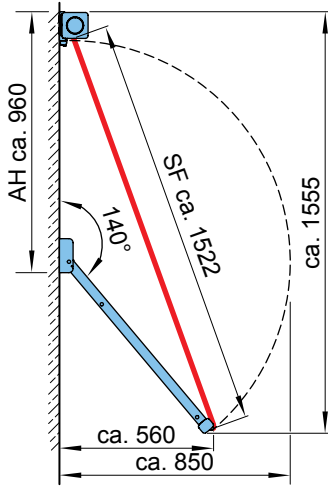
N.B. Important background information can be found in the chapter "Optional Accessories".

01 **Window coverage**

02 On the basis of the standard arm lengths

03 Arm length: 80 cm  
Cover length: 160 cm

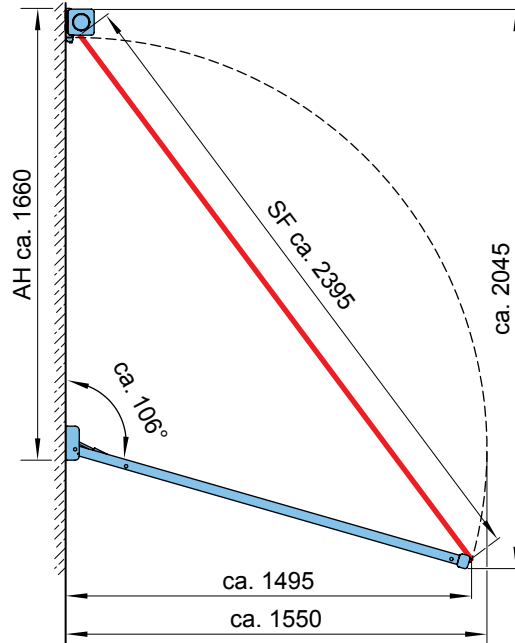
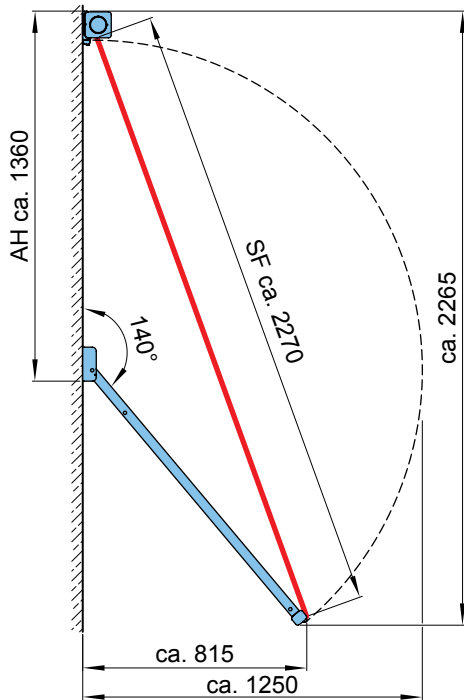
04 Arm length: 100 cm  
Cover length: 200 cm



09

13 Arm length: 120 cm  
Cover length: 250 cm

14 Arm length: 150 cm  
Cover length: 250 cm



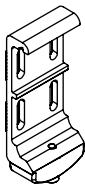
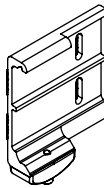
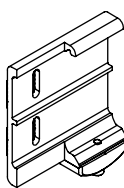
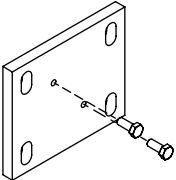
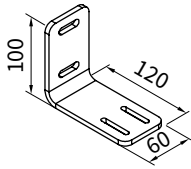
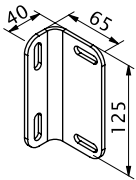
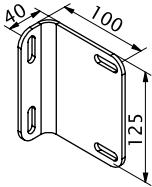
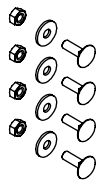
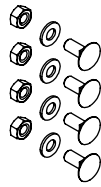
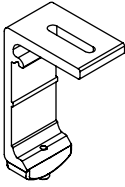
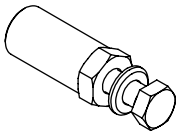
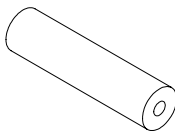
AH = unit height  
SF = visible cover

dimensions in mm



# Fixtures, fittings and accessories

## Accessories

 <p>face fixture bracket 50 mm</p> <p><b>78797.</b></p>	 <p>face fixture bracket with fishplate for lateral fixture, right <b>N.B!</b> not for the operation side: • interior operation • operation from the rear</p> <p><b>78920.</b></p>	 <p>face fixture bracket with fishplate for lateral fixture, left <b>N.B!</b> not for the operation side: • interior operation • operation from the rear</p> <p><b>78921.</b></p>
 <p>spreader plate 120 × 100 × 10 mm</p> <p><b>78982.</b></p>	 <p>additional angled bracket for reveal fixture 100 × 120 × 60 mm please order additional accessories 792931!</p> <p><b>77220.</b></p>	 <p>additional angled bracket for lateral arm fixture – reveal fixture 65 × 40 × 125 mm bearing / motor side please order additional accessories 793151!</p> <p><b>78912.</b></p>
 <p>additional angled bracket for lateral arm fixture – reveal fixture 100 × 40 × 125 mm please order additional accessories 793151!</p> <p><b>78913.</b></p>	 <p>accessories for two angled brackets 77220. or 78565.</p> <p><b>792931</b></p>	 <p>accessories for two angled brackets 78912. or 78913.</p> <p><b>793151</b></p>
 <p>top fixture bracket 50 mm</p> <p><b>78859.</b></p>	 <p>reduction bolt M 10 → M 6 / SW 13 pack 10 pcs</p> <p><b>753211</b></p>	 <p>stand-off fixing tube 30 × 10 × 1000 mm <b>N.B.!</b> Stack to a max. height of 120 mm</p> <p><b>701668</b></p>

01  
02  
03  
04  
05  
06  
07  
08  
**09**  
10  
11  
12  
13  
14  
15  
16  
17  
18  
19

01 Overview of dimensions

02

03

04

05

06

07

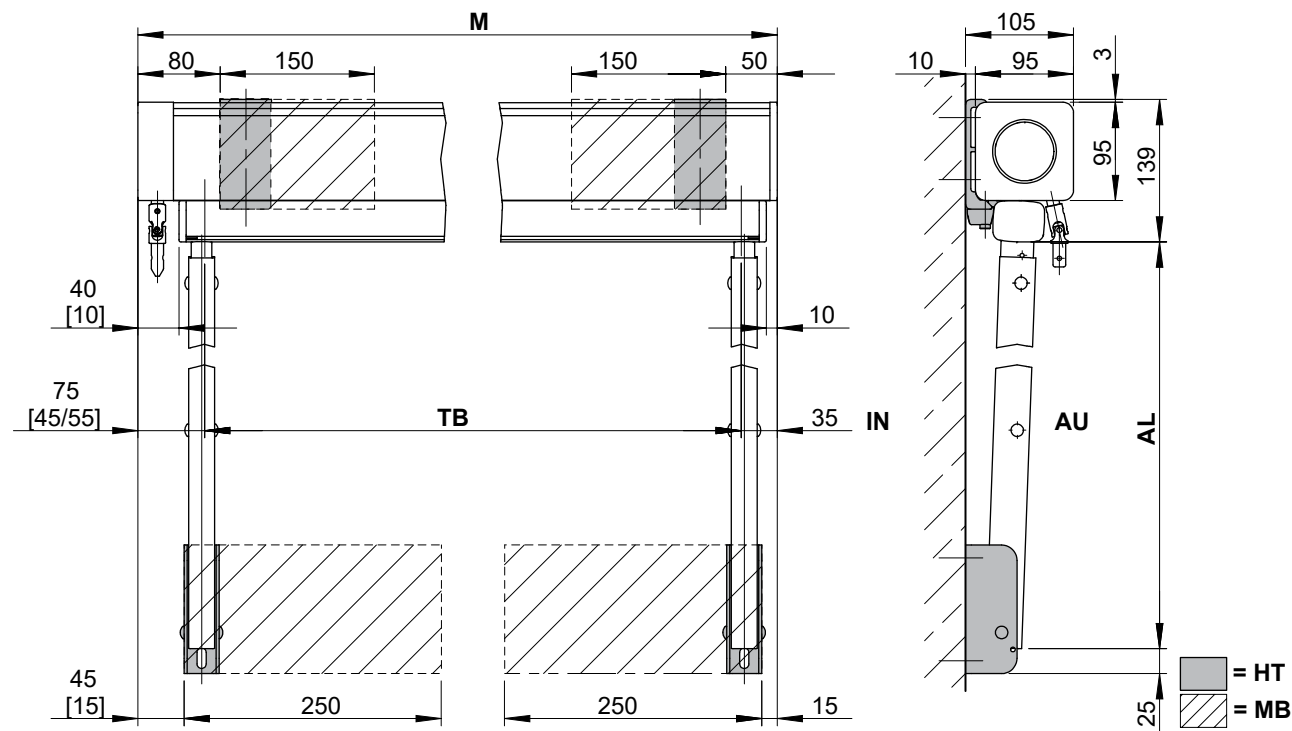
08

09

10

11

12



13 Face fixture

14

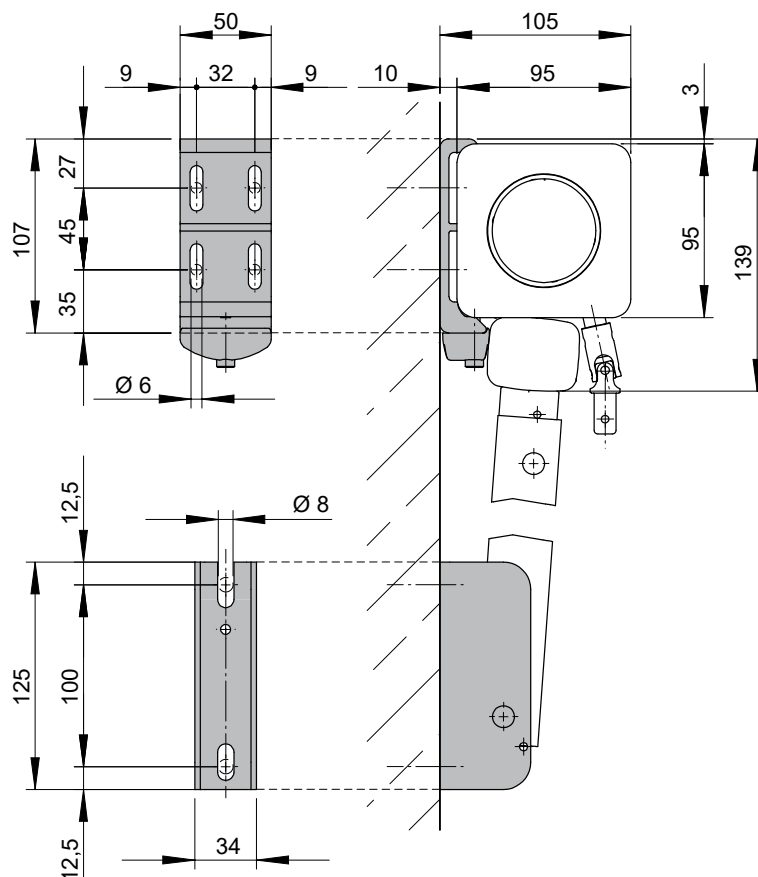
15

16

17

18

19



[...] = dimensions in the case of motor / interior operation (MO)

AL = order dimension = arm length

AU = exterior

HT = bracket

IN = interior

M = order dimension = overall awning width

MB = bracket fixture range

TB = cover width

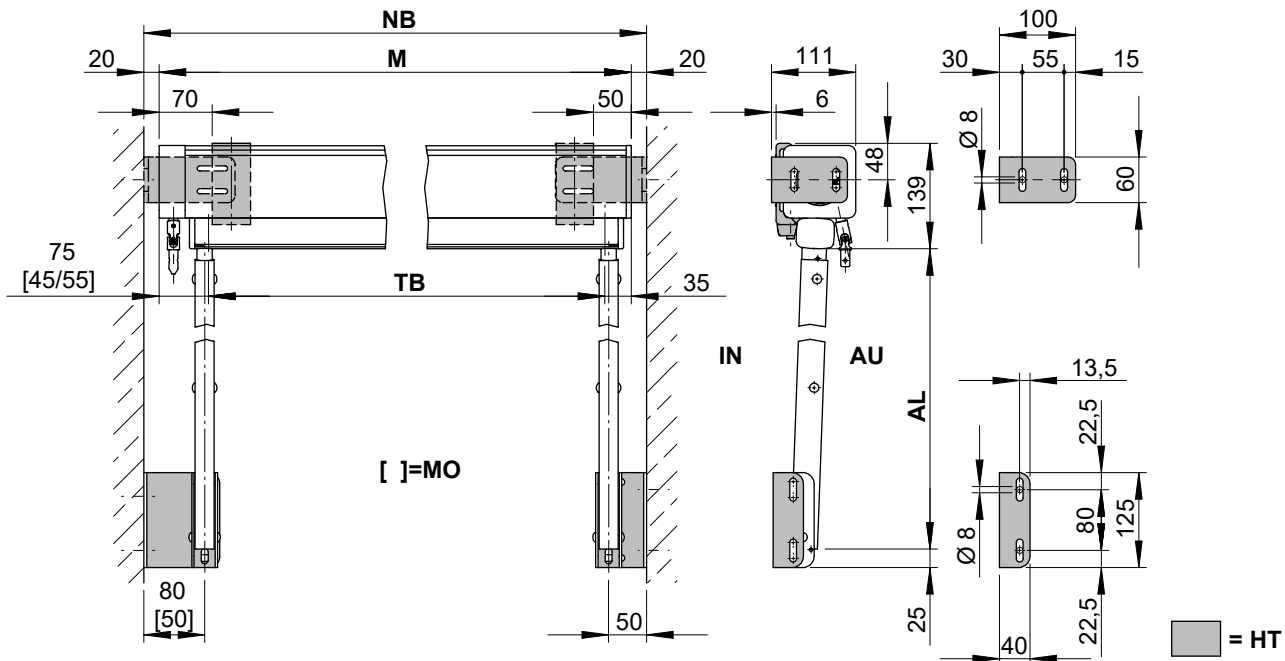
dimensions in mm



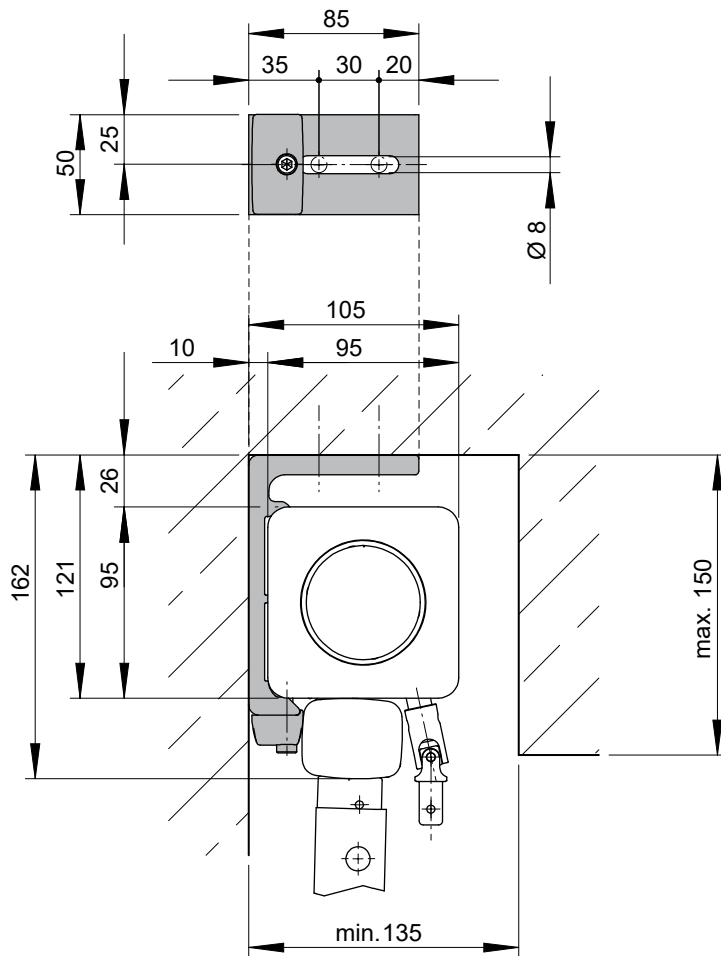


# Reveal fixture

Manual operation or motor drive



Reveal fixture in a top window well, manual operation



[...] = dimensions in the case of motor / interior operation (MO)

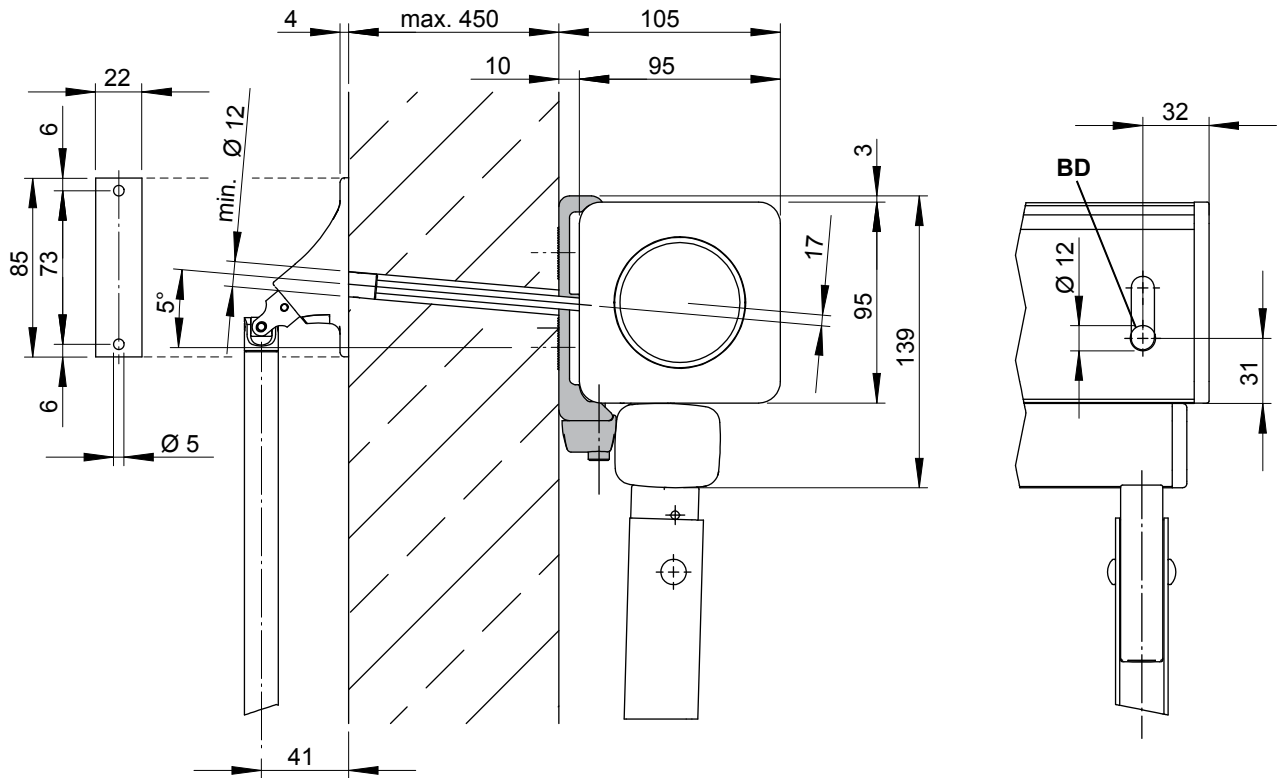
AL = **order dimension** = arm length  
 AU = exterior  
 HT = bracket

IN = interior  
 M = **order dimension** = overall awning width  
 NB = reveal width  
 TB = cover width

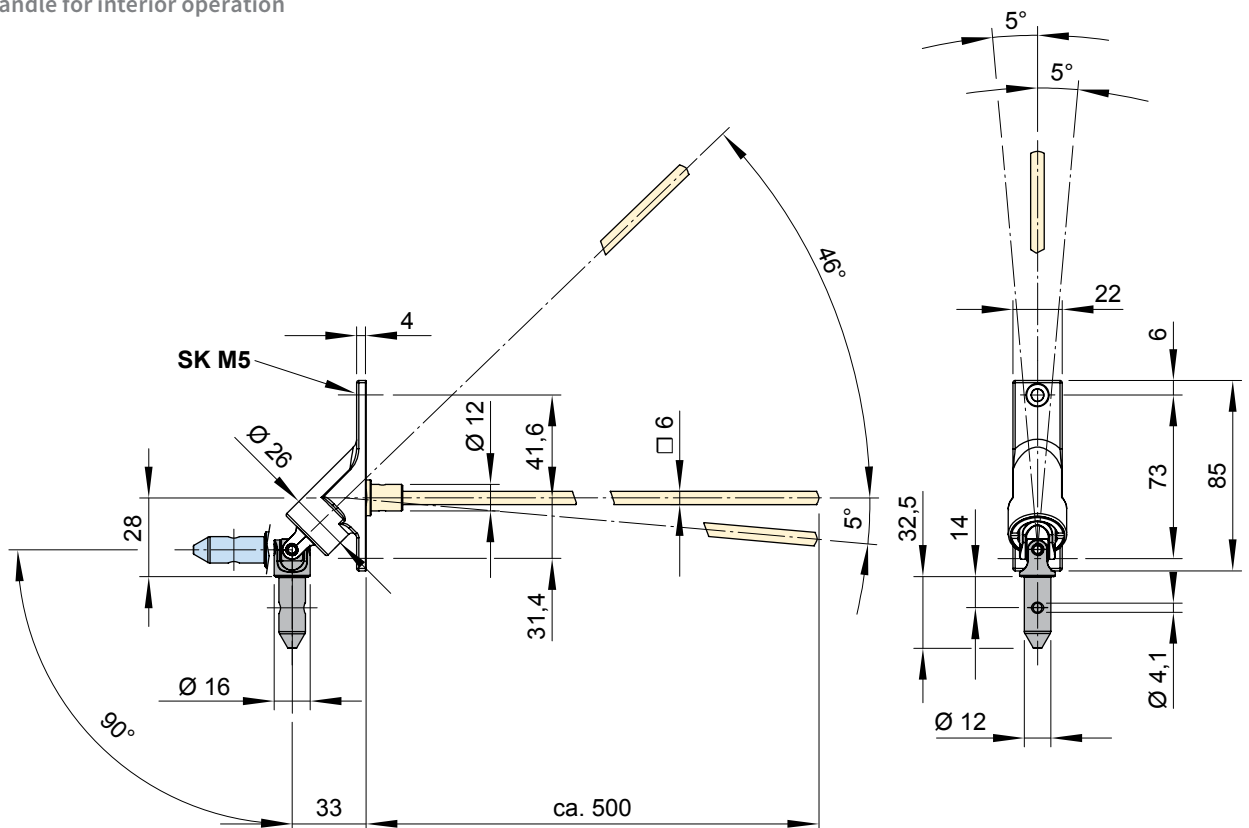
dimensions in mm

# Face fixture

Manual operation with interior operation



Handle for interior operation



- BD = horizontal drill hole
- SK = countersunk screw hole

dimensions in mm

01  
02  
03  
04  
05  
06  
07  
08  
**09**  
10  
11  
12  
13  
14  
15  
16  
17  
18  
19

01 **Manual operation from the rear**

02

03

04

05

06

07

08

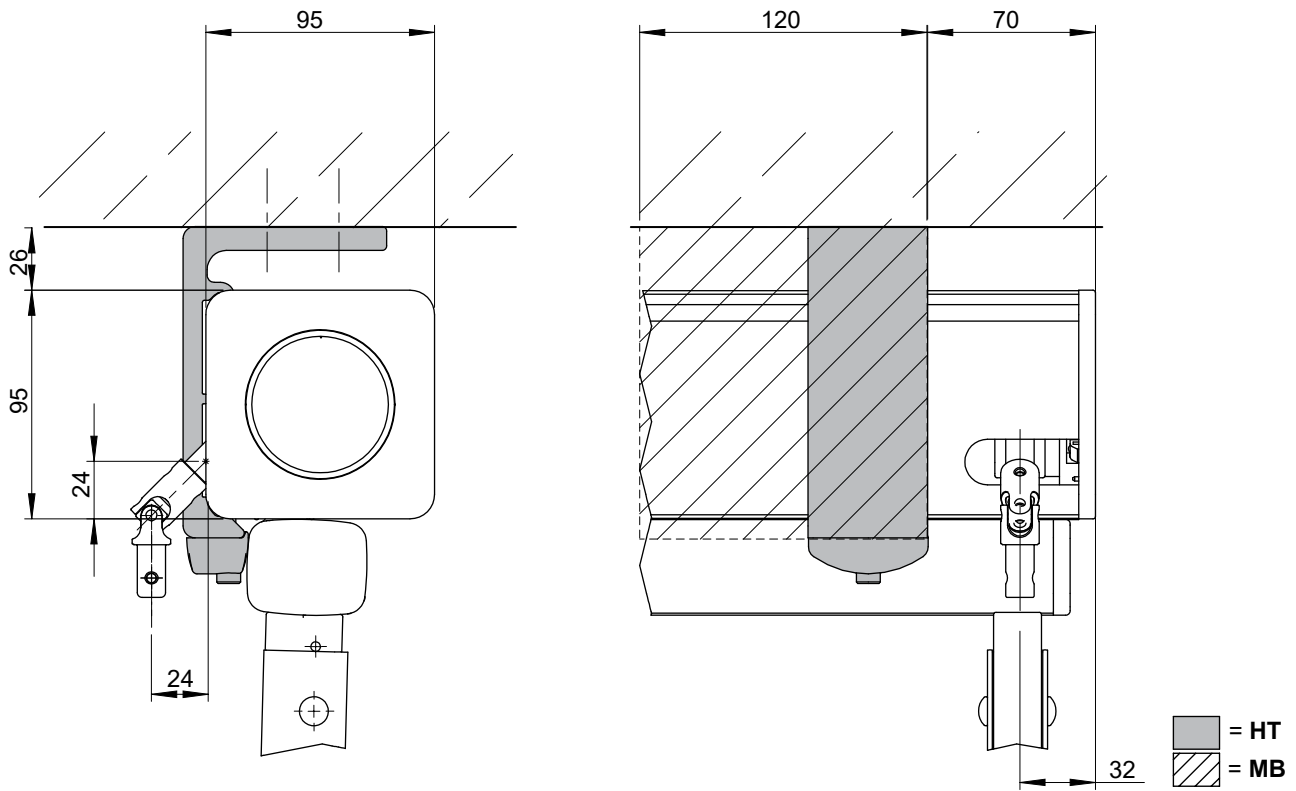
09

10

11

12

13



14 **Motor cable exit point**

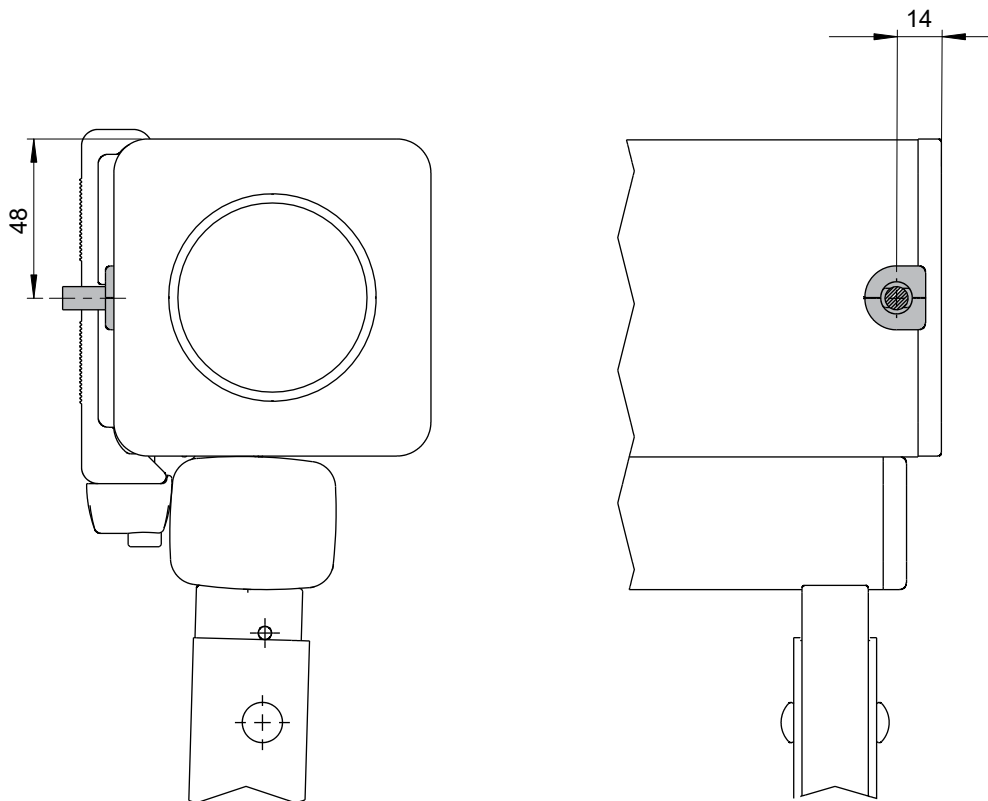
15

16

17

18

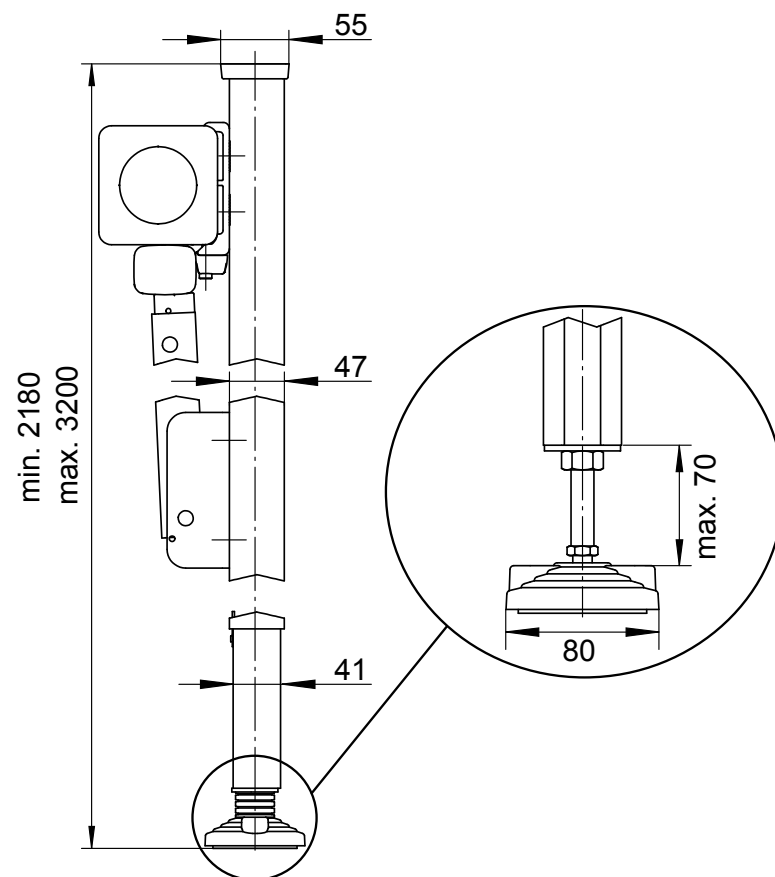
19



HT = bracket  
 MB = bracket fixture range

dimensions in mm

## Aluminium wedge-in accro bars



**N.B!** Telescopic range 218–320 cm.

Maximum awning width 400 cm, up to 2 drop arms.

The top caps of the accro bars have to be screwed into the ceiling.

01  
02  
03  
04  
05  
06  
07  
08  
**09**  
10  
11  
12  
13  
14  
15  
16  
17  
18  
19

01

02

03

04

05

06

07

08

**09**

10

11

12

13

14

15

16

17

18

19