



Side screen

## **markilux 790**

Ideal, lateral protection against low-lying sun,  
light wind and inquisitive glances.

01 Product Characteristics

02  
03  
04  
05  
06  
07  
08  
09  
10  
11  
12  
13  
14  
15  
16  
17



● face fixture bracket for the front profile with angle for lateral fixture <sup>1)</sup>



● 1 docking post with welded base plate



● docking post incl. ground sleeve



● 2 safety mechanism for the handle fitted to the docking post



● mobilfix: docking post fitted to a granite baseplate <sup>1)</sup>



● docking bracket for front profile fitted to a railing



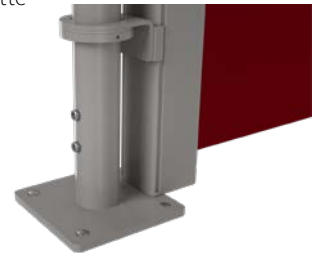
● docking bracket for front profile fitted to a free-standing post or markilux pergola / pergola compact



● detail at the top: pivoting option to fit the cassette to a free-standing post <sup>1)</sup>



● detail at the bottom: free-standing post with swivelling holders for the cassette <sup>1)</sup>



1) Optional accessories

## Product Characteristics

### Description

- the discretely shaped side screen giving allround protection to the cover thanks to the satisfactory, square cassette.

### Special features

- the height of the grip on the front profile can be adjusted to the exact conditions on site – so that the front profile can be locked in position and the cover tension adjusted without a problem
- the pre-set tension in the spring mechanism can be adjusted on site to comply with the wishes of the customer
- the screen cover can be cut diagonally to order, in which case the front profile will be correspondingly shorter – giving perfect protection in combination with a markilux folding-arm awning or markilux pergola classic / cubic / compact (only for version with rigid columns)
- intermediate screen heights and a good choice of fixture options are available – to make them employable on a patio, a balcony or even free standing
- docking post for the front profile with integrated safety lock for the grip to prevent it being released inadvertently

### Dimensions

- awning in the standard version 173 cm / 213 cm / 250 cm in height
- extension: 200–450 cm (depending on the screen height and fabric pattern)
- intermediate sizes are available

### Roller tube and lateral bearings

- round roller tube Ø 63 mm with keyway, galvanised steel, with integrated, maintenance-free spring mechanism providing optimum cover tension
- the roller tube bearing is made of machine finished, rolled aluminium

### Awning profiles

- extruded aluminium, in façade quality, powder coated
- cassette profile in one piece, 95 mm × 95 mm
- circular front profile Ø 32 mm

### End caps

- end caps are made of high-quality plastic, dyed through or powder coated – at the spring end they are aluminium, powder coated
- the front profile end caps are made of high-quality plastic, dyed through in grey (similar toRAL 7030)

### Fixture brackets

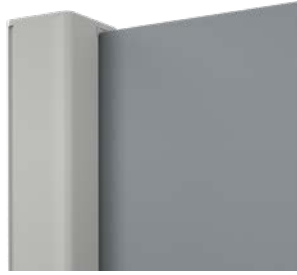
- cassette brackets for face or reveal fixture, fixture to a rigid post (free standing or to the post of the markilux pergola classic / cubic / compact / markilux syncra)
- brackets for the front profile: face fixture, docking post with ground sleeve / base plate for bolting down, mobilfix (mobile docking post on a base plate), brackets for fixture to a (balcony) railing
- grip for front profile made of high-quality plastic, dyed through in grey (similar toRAL 7030)
- adapter sets for fixture to Krinner screw-in foundations

01 **Frame colours**02 **markilux frame colours without surcharge**

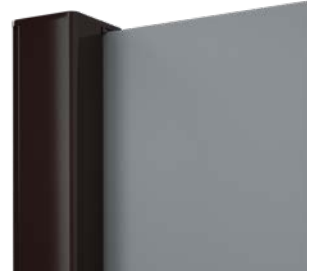
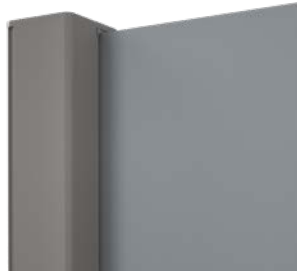
03 traffic white, RAL 9016



metallic aluminium, RAL 9006



grey brown, similar to RAL 8019

07 off-white textured finish, 5233 <sup>1)</sup>stone grey metallic, 5215 <sup>1)</sup>anthracite metallic, 5204 <sup>1)</sup>12 havana brown textured finish, 5229 <sup>1)</sup>

16

17

**Non-standard powder-coated finish**

Bespoke frame colours incur a surcharge – matt, metallic, finely textured and pearl finishes as well as other colour ranges (DB, Tiger etc.) on request. All frame colours are available at a surcharge with enhanced corrosion protection.

Colours may differ slightly from those depicted in both hue and finish.

<sup>1)</sup> textured finish

## Dimensions and configuration options

### Single unit




		Extension				
		250	300	350	400	450 <sup>1)</sup>
<b>Order dimensions</b>		200	251	301	351	401
		250	300	350	400	450
<b>GH</b>	173 <sup>2)</sup>					
	213					—
	250					—

dimensions in cm

1) = angled top edge not possible

2) = minimum height 90 cm

GH = overall height (cassette height + 30 mm)  
intermediate sizes are available at surcharge

	= cover height approx. 162 cm
	= cover height approx. 202 cm
	= cover height approx. 239 cm

### Operation

	standard	optional
manual extension	✓	—
cover exit to the right	✓	—
cover exit to the left	—	✓

### Awning cover

	fabric pattern no.	standard	optional	extension	tailored cloth
sunvas	300..–315..	✓	—		SN
sunsilk	324.. / 325.. / 328.. / 369..	✓	—		SN
sunbow	411..–427..	✓	—	≤ 300	SN
vuscreen Alu <sup>1)</sup>	317..	—	✓	≤ 240 > 241 ≤ 300	N SN
transolair	338..	—	✓	≤ 240 > 241	N SN
transolair (120 cm)	339..	—	✓		SN

dimensions in cm

**N** = Seamless

**SN** = vertical seam, panel width 120 cm

1) Only possible up to a total height of 213 cm

01  
02  
03  
04  
05  
06  
07  
08  
09  
10  
11  
12  
13  
14  
15  
16  
17

**Fixture options**

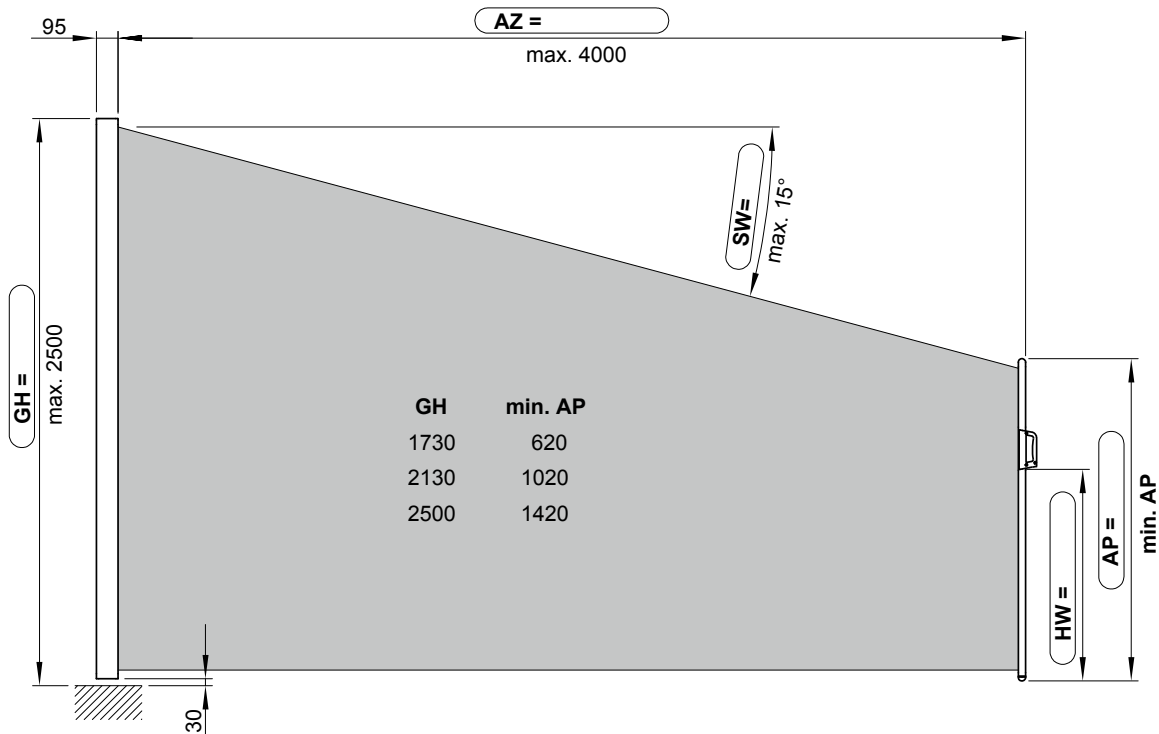
wall bracket 50 mm	78758.
wall docking option	77822.
docking bracket for front profile with clamp for fixture to a railing Ø 40-45 mm	77984.
docking bracket for front profile with clamp for fixture to a railing Ø 45-50 mm	77985.
docking post with welded footplate 950 mm	77820.
docking post with ground sleeve 950 mm	77821.

**Fixture options**

cassette bracket for reveal fixture 50 mm	77845.
angled bracket for lateral face fixture 175 × 60 × 60 mm	77987.
free-standing post 1730–1830 mm Ø 70 mm with footplate for cassette fixture	71175.
brackets for fixture of the cassette to the markilux pergola classic / cubic / compact	71174.
bracket for fixture of the front profile to a post Ø 70 mm	71136.
brackets for fixture of the cassette to a square post of the markilux syncra	72231.
brackets for fixture of the cassette to a round post of the markilux syncra	72208.
<hr/>	
mobilfix granite including docking post	778211
<hr/>	
adapter set for post fixture to a Krinner screw-in foundation <sup>1)</sup>	
adapter set for front profile fixture to a Krinner screw-in foundation <sup>1)</sup>	

**Dimension overview, cover with diagonally cut top edge**

Please give the dimensions indicated when ordering

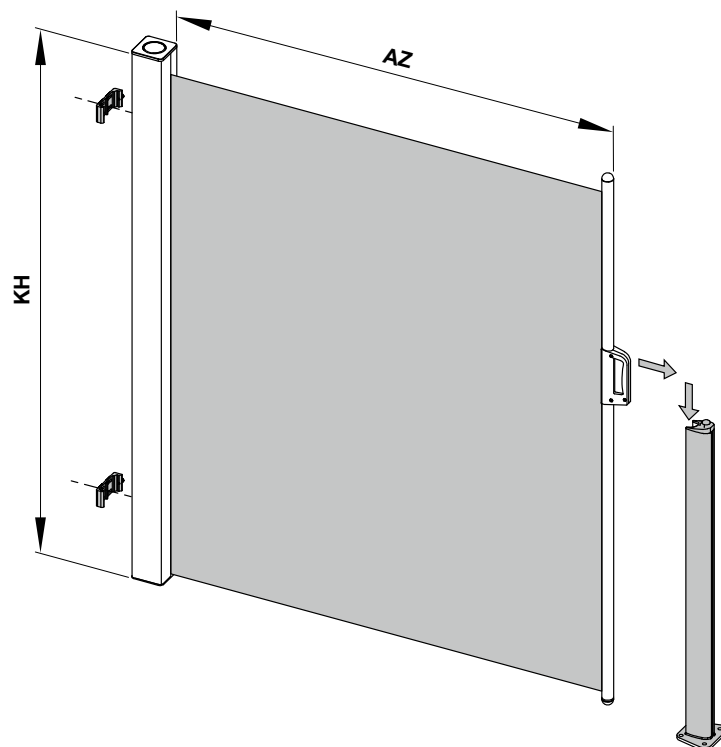
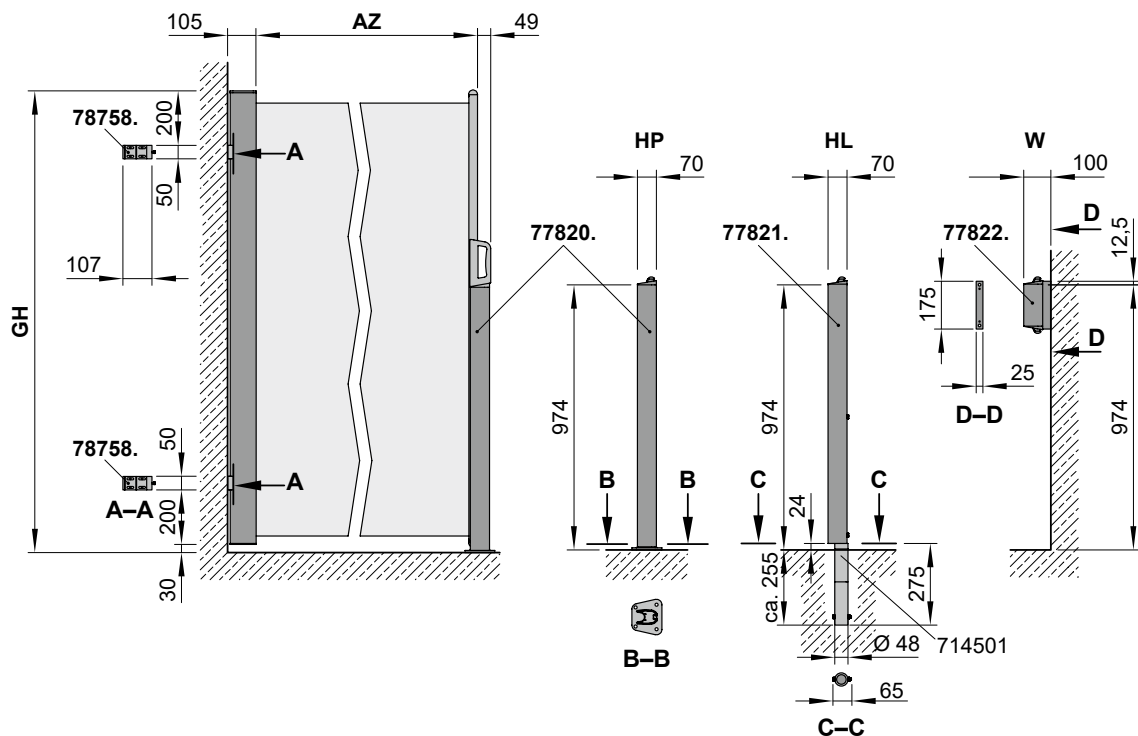


- 1) = for a detailed description see the separate markilux sales documentation “Krinner – the screw-in foundation”
- AP = height of the front profile
- AZ = **order measurement** = extension
- GH = **order measurement** = overall height side screen
- HW = height of the wall docking bracket
- SW = angle of the top edge of the cover

dimensions in mm

## Dimension overview, standard cover

Docking post with welded bottom plate, ground sleeve or face fixture bracket



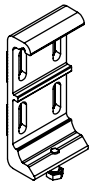
- 714501** = ground sleeve  
**77820.** = sleeve assembly for insertion in the ground  
**77821.** = docking post for tension profile for ground sleeve  
**77822.** = face fixture bracket for tension profile  
**78758.** = face fixture bracket 50 mm

- AZ** = **order measurement** = extension  
**GH** = **order measurement** = overall height side screen  
**HL** = sleeve assembly for insertion in the ground  
**HP** = docking post for fixture to solid surface  
**KH** = cassette height =  $GH - 30$  mm  
**W** = face fixture

dimensions in mm

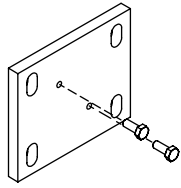
# 01 Face fixture, face fixture bracket for the cassette

02 Fixtures, fittings and accessories



face fixture bracket  
50 mm

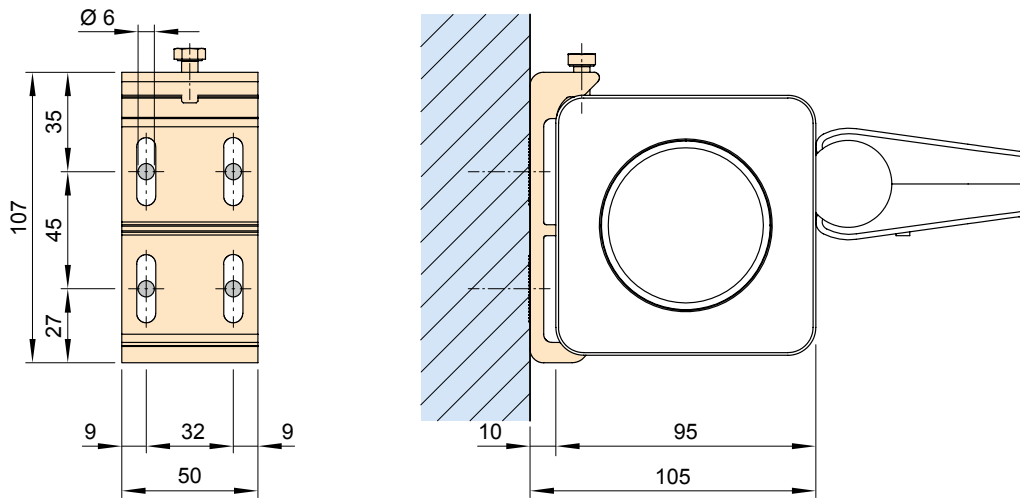
78758.



spreader plate  
120 × 100 × 10 mm

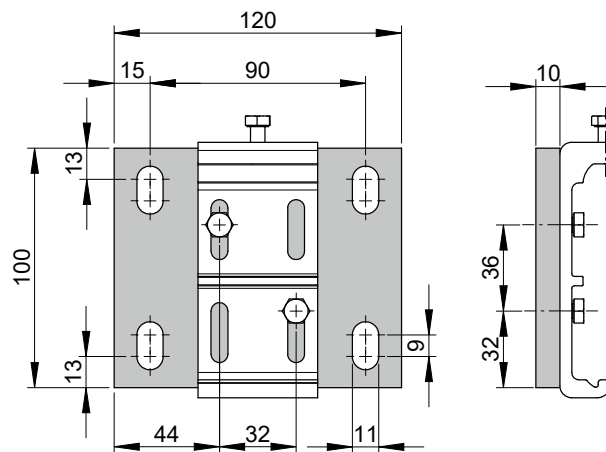
78982.

06 Cover exit to the right standard (see figure) – cover exit to the left optional



## 16

17 Spreader plate for the face fixture bracket

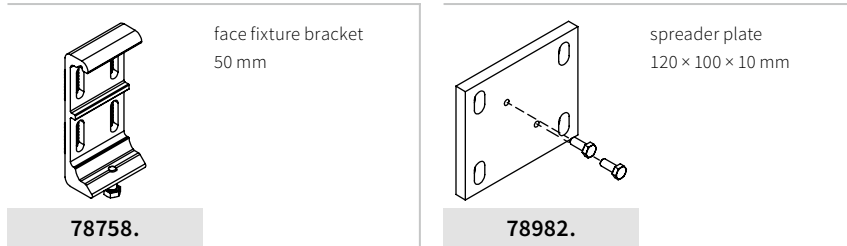


dimensions in mm

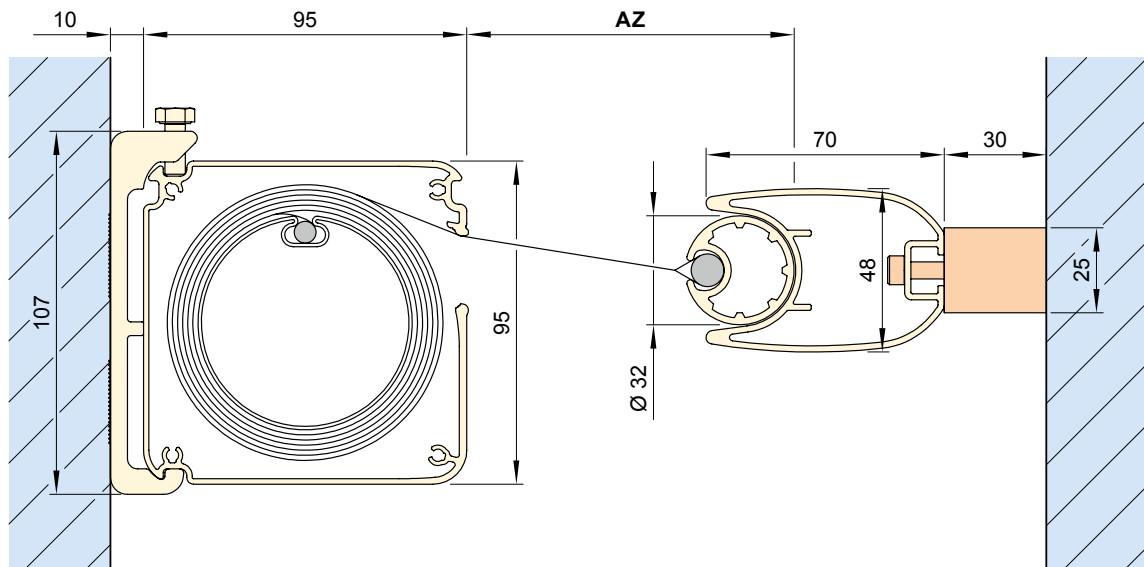


# Face fixture, face fixture bracket for the cassette

Fixtures, fittings and accessories



Cross section view with face fixture bracket for the front profile

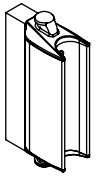


- 01
- 02
- 03
- 04
- 05
- 06
- 07
- 08
- 09
- 10
- 11
- 12
- 13
- 14
- 15
- 16**
- 17

dimensions in mm

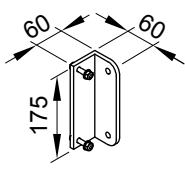
# 01 Face fixture, face fixture bracket for the front profile

02 Fixtures, fittings and accessories



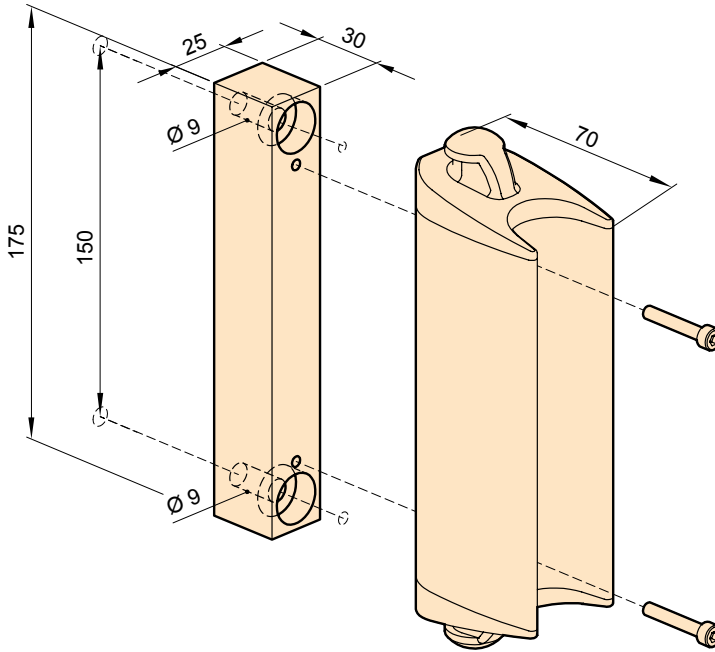
face fixture bracket assembly for the front profile

77822.

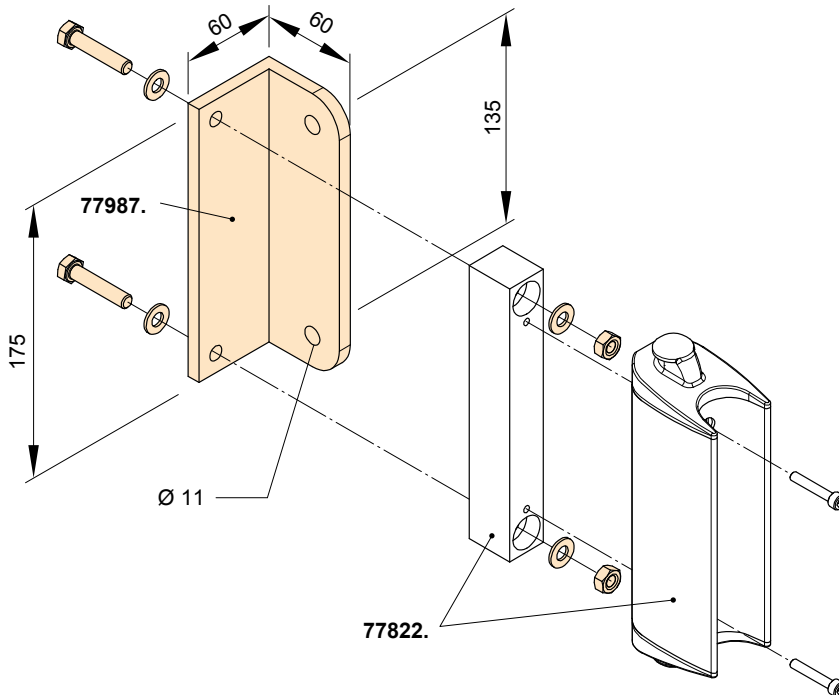


angled bracket for lateral face fixture 77822.  
175 x 60 x 60 mm

77987.




## 16



dimensions in mm


# Docking post for front profile

Fixtures, fittings and accessories



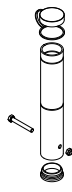
docking post assembly for the front profile  
with welded base plate

**77820.**



docking post assembly for the front profile  
for the ground sleeve

**77821.**



ground sleeve

**714501**

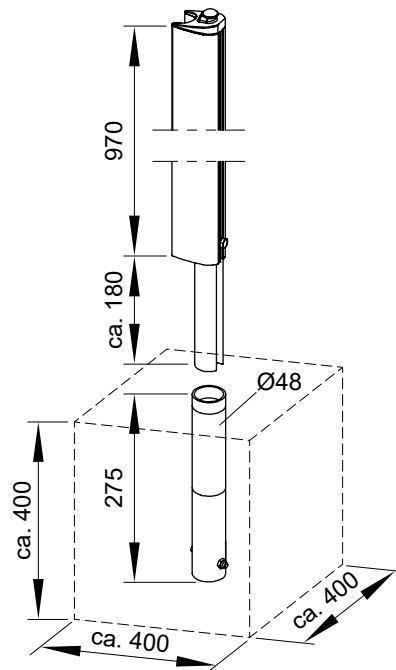
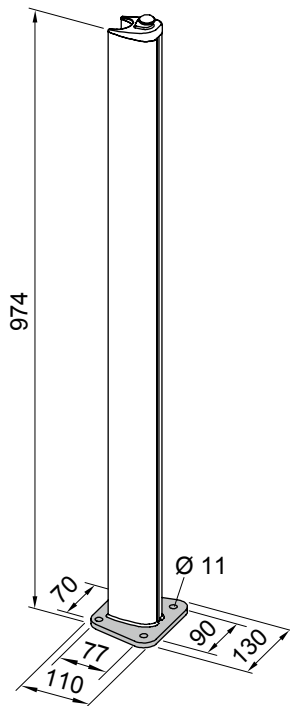


covering cap for the ground sleeve

**702851**

Docking post with welded footplate (77820.)

With connecting profile and ground sleeve (77821.)



dimensions in mm

01  
02  
03  
04  
05  
06  
07  
08  
09  
10  
11  
12  
13  
14  
15  
**16**  
17

01 **mobifix**

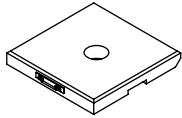
02 Fixtures, fittings and accessories

03 

04 mobilfix  
docking post mounted  
on a granite base  
plate <sup>1)</sup>

05 approx. 40 kg

**77821. | 778941 | 778931**

03 

04 Additional granite slab  
for the mobilfix  
(recommended in light  
wind) approx. 39 kg

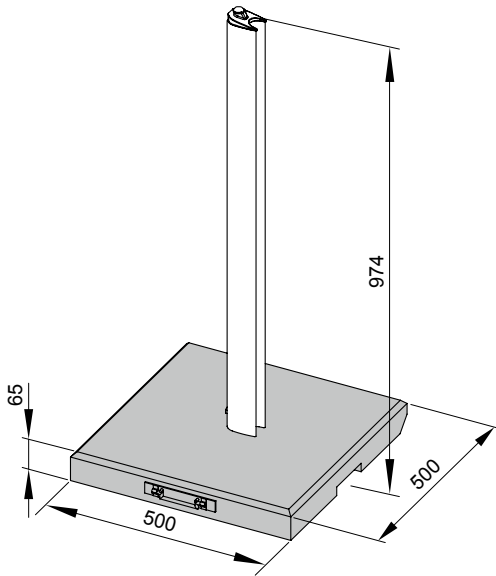
05 with transport function

**779311**

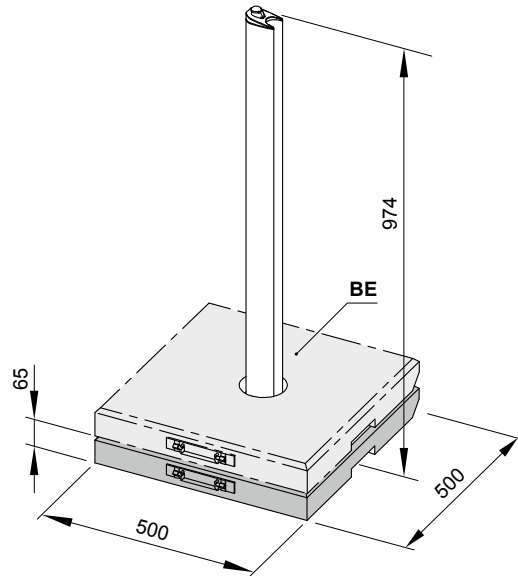
06 **1)** Granite is a natural stone and can vary in colour and structure.

07 **Note:** The markilux mobilfix is only to be used up to a maximum screen height of **(GH)** 213 cm.

08 mobilfix

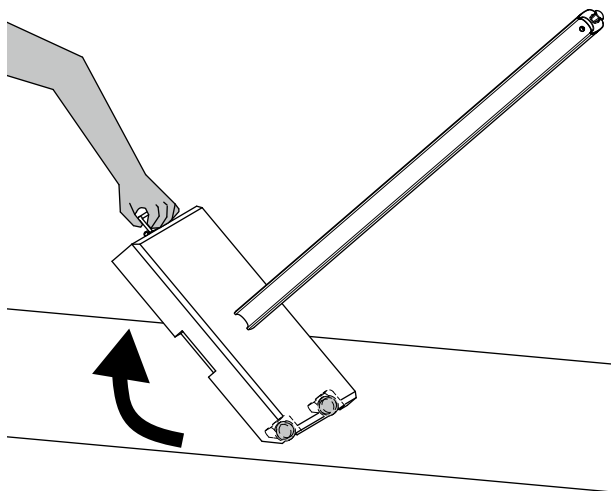


09 mobilfix with additional granite slab to weigh it down



16

17 Transport function mobilfix

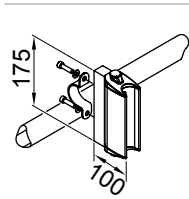


**BE** = additional granite slab to weigh it down (optional)

dimensions in mm

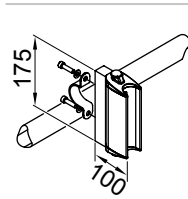
# Docking bracket for front profile with clamp for fixture to a railing

Fixtures, fittings and accessories



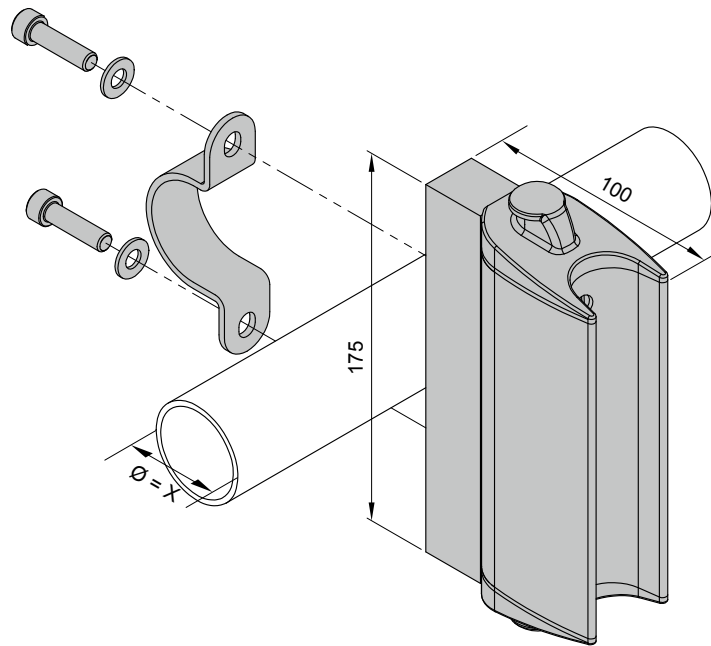
docking bracket for front profile with clamp for fixture to a railing  
Ø 40–45 mm

**77984.**



docking bracket for front profile with clamp for fixture to a railing  
Ø 45–50 mm

**77985.**



**X** = 40–45 mm: 77984.

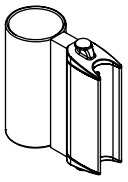
**X** = 45–50 mm: 77985.

01  
02  
03  
04  
05  
06  
07  
08  
09  
10  
11  
12  
13  
14  
15  
**16**  
17

dimensions in mm

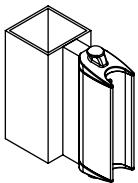
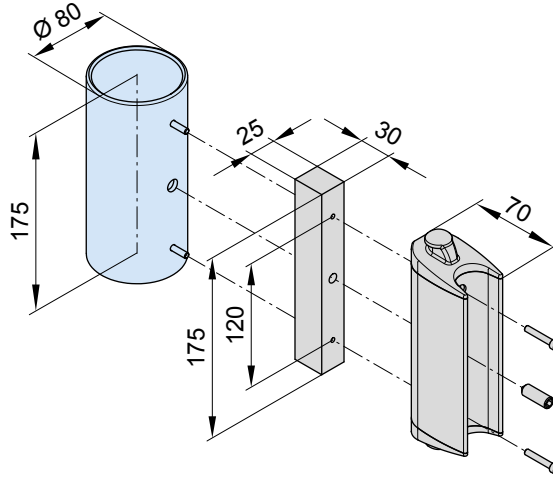
01 **Railing bracket assembly for front profile**

02 Fixtures, fittings and accessories



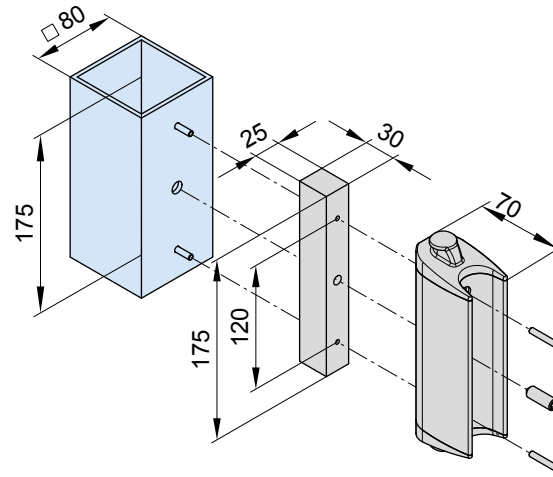
docking bracket for front profile  
for markilux pergola  
classic / cubic / compact  
round posts

05 **71136.**



docking bracket for front profile  
for markilux pergola /  
pergola compact  
square posts


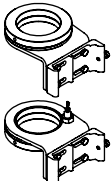
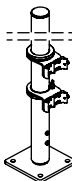
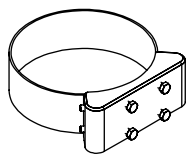
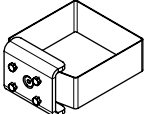
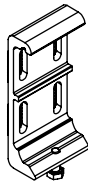
14 **75279.**

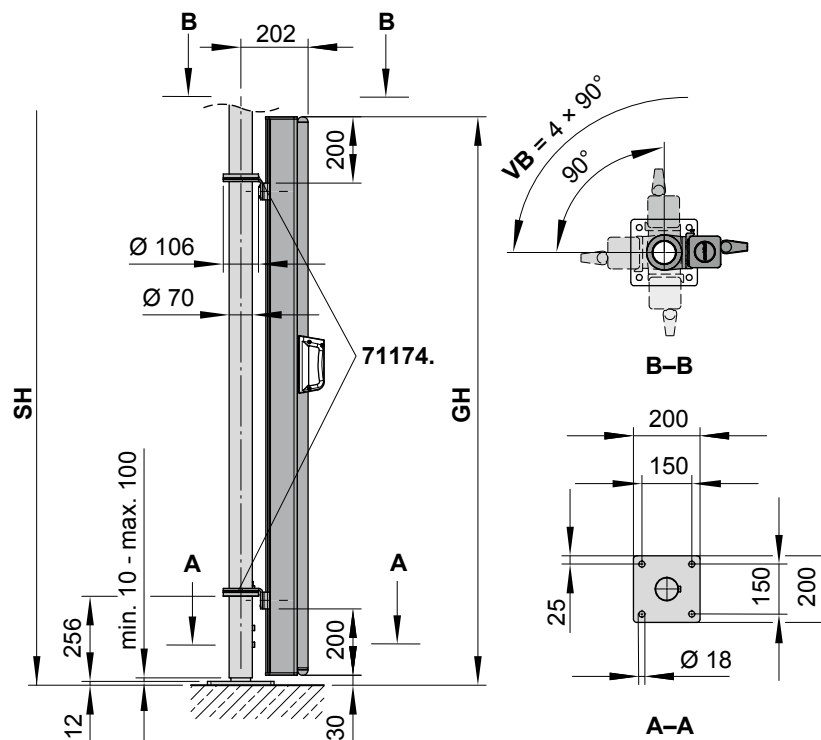


17 dimensions in mm

# Cassette fixture to a post

## Fixtures, fittings and accessories

 <p>post with base plate</p> <p>overall height adjustable from approx 1730–1830 mm, Ø 70 mm</p> <p><b>71172.</b></p>	 <p>universal fixture bracket: for the post of the markilux pergola classic / cubic / compact, 2 pieces</p> <p>height approx. 80 mm, Ø 70 mm</p> <p><b>71174.</b></p>	 <p>post 71172. including base plate 71174. fixture assembly for universal bracket for cassette overall height adjustable from approx 1730–1830 mm, Ø 70 mm</p> <p><b>71175.</b></p>
 <p>post fixture for universal fixture bracket 78758. to the post of markilux syncra</p> <p>width 52 mm, for universal fixture bracket Ø 140 mm, for round post</p> <p><b>72208.</b></p>	 <p>post fixture for universal fixture bracket 78758. to the post of markilux syncra</p> <p>width 52 mm, for square post 125 × 125 mm</p> <p><b>72231.</b></p>	 <p>face fixture bracket 50 mm</p> <p><b>78758.</b></p>



- GH** = order dimension = overall height
- SH** = support post height
- VB** = adjustment range (VB) of the fixture brackets with locking lever (4 × 90°)

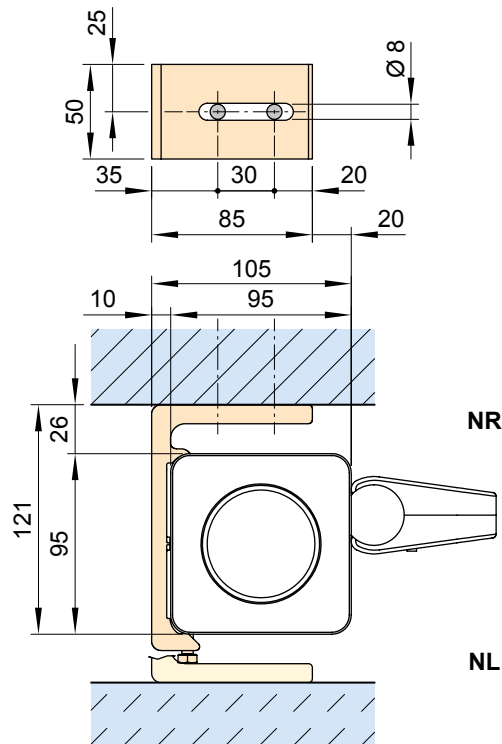
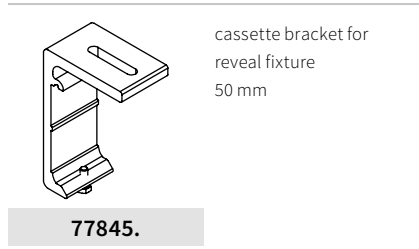
dimensions in mm

01  
02  
03  
04  
05  
06  
07  
08  
09  
10  
11  
12  
13  
14  
15  
**16**  
17

01  
02  
03  
04  
05  
06  
07  
08  
09  
10  
11  
12  
13  
14  
15  
**16**  
17

# Reveal fixture of the cassette

Fixtures, fittings and accessories



NR = reveal fixture right  
NL = reveal fixture left

dimensions in mm