

Karin

SITS



Karin

UPHOLSTERY



fabric



leather

COMFORTS



STD standard

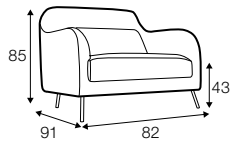


LUX lux

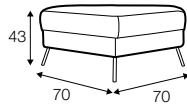


FC fixed

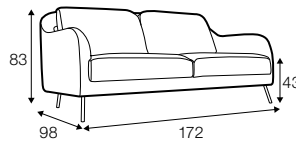
COVERS



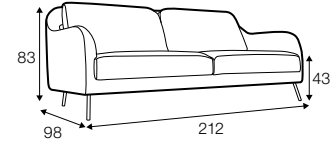
armchair



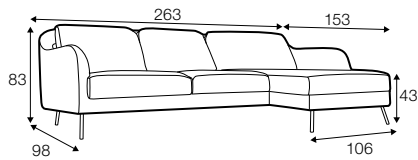
footstool 70x70



2 seater

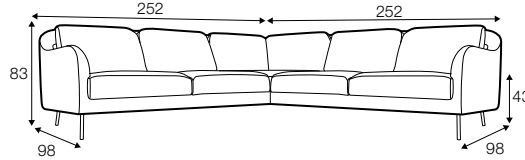


3 seater



set 1 right / or left

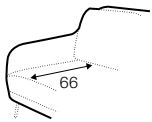
2 seater left / or right
+ chaiselongue right / or left



set 2

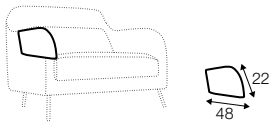
2 seater left + corner 90° + 2 seater right

extra dimensions

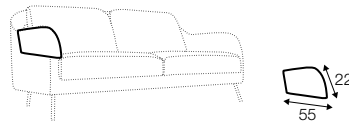


depth of seat

accessories

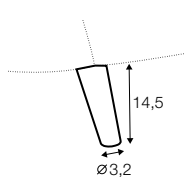


armchair armrest cover 48x22

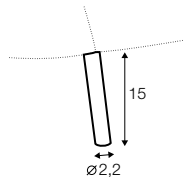


armrest cover for others 55x22

legs



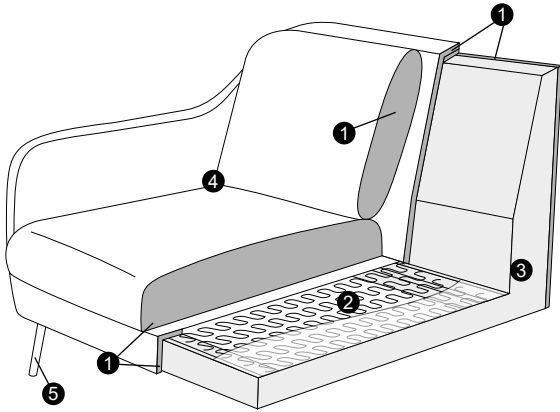
no. 154D
wood



no. 160A
metal chrome,
painted black or grey
and brushed steel

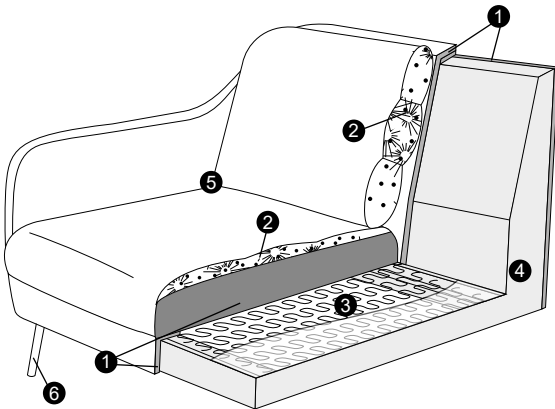
*please check a cost of brushed steel finish with a sale representative.

profile



standard

1. polyurethane foam / high resilient polyurethane foam
2. springs
3. FSC® certified solid wood and wood based elements
4. fabric or leather
5. FSC® certified solid wood or metal legs



lux

1. polyurethane foam / high resilient polyurethane foam
2. cushion chamber with mix of feather and silicone balls
3. springs
4. FSC® certified solid wood and wood based elements
5. fabric or leather
6. FSC® certified solid wood or metal legs